



CLASS 1 LASER PRODUCT
KLASSE 1 LASER PRODUKT
LUOKAN 1 LASER LAITE
KLASS 1 LASER APPARAT

CD-ROM DRIVE

MODEL : CRD-8322B

**OWNER'S MANUAL
BEDIENUNGSHANDBUCH
MODE D'EMPLOI
MANUALE D'USO
MANUAL DE USUARIO**

To enjoy fully all the features and functions of your CD-ROM Drive,
Please read this Owner's Manual carefully and completely.

Copyright © 1997 LG Electronics Inc.

LG Electronics USA, Inc.
1000 Sylvan Ave.
Englewood Cliffs, NJ 07632

LG Electronics U. K. Ltd,
LG House,
264 Bath Road,
Slough,
Berks. SL1 4DT

LG Electronics Deutschland GmbH
Jakob Kaiser Straße 12
47877 Willich 1
GERMANY

LG Goldstar France SARL
12, RUE LECH WALESA BAT.B
77322 LOGNES MARNE LA
VALLEE CEDEX 2 FRANCH



P/NO : 3828HM1012F

Printed in Korea
(M-N)





CAUTION: The laser used in the CD-ROM drive can damage your eyes.
 Do not attempt to open the cover.
 To reduce the risk of electric shock, do not remove cover (or back).
 No user-serviceable parts inside.
 Refer servicing to qualified service personnel.



This unit uses CD-ROM discs
 marked with this symbol:



Use of controls or performance of procedures other than those specified herein may result in hazardous radiation exposure.



PRODUCT COMPLIES WITH DHHS
 RULES 21 C.F.R. SUB-CHAPTER J,
 IN EFFECT AT THE DATE OF MANUFACTURE.

WARNING: To reduce the risk of fire or electric shock,
 do not expose this appliance to rain or moisture.

Industry Canada requirement

This class B digital apparatus meets all requirements of the Canadian Interference-Causing Equipment Regulations.

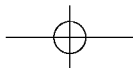
Cet appareil numérique de la classe B respecte toutes les exigences du Règlement sur le matériel brouilleur du Canada.

FCC COMPLIANCE STATEMENT

Note : This equipment has been tested and found to comply with the limits for a Class B digital device, pursuant to Part 15 of the FCC Rules.

These limits are designed to provide reasonable protection against harmful interference in a residential installation. This equipment generates, uses, and can radiate radio frequency energy and, if not installed and used in accordance with the instructions, may cause harmful interference to radio communications. However, there is no guarantee that interference will not occur in a particular installation. If this equipment does cause harmful interference to radio or television reception, which can be determined by turning the equipment off and on, the user is encouraged to try to correct the interference by one or more of the following measures:

- Reorient or relocate the receiving antenna.
- Increase the separation between the equipment and receiver.
- Connect the equipment into an outlet on a circuit different from that to which the receiver is connected.
- Consult the dealer or an Authorized Service Center for help.
- **FCC WARNING**
 Changes or modifications not expressly approved by the party responsible for compliance could void the user's authority to operate the equipment.
- This CD-ROM Drive is for use only with UL listed personal computers that have installation instructions detailing user installation of card cage accessory.



FEATURES

- E-IDE interface
- 75ms Random access time
- Multimedia PC compatible
- Photo CD multisession support
- Small CPU bandwidth (MPC spec.)
- 32X-speed Max 4800KB/sec data transfer rate
- Intelligent 128KB data buffering system
- Horizontal/Vertical mounting support
- Tray Loading system without caddy
- Designed for internal mounting
- Emergency Eject Support
- Easy audio CD control button support
- Supports Windows 95 Plug and Play ATAPI protocol

SYSTEM REQUIREMENTS

An IBM PC or compatible with the following system components:

- IBM Compatible 486SX or above
(With PIO mode 4 support recommended)
- A Minimum of 640K memory
- Floppy disk drive (3 1/2 inch)
- MS-DOS version 3.1 or greater
- An open, front-facing, half-height drive bay.
- An existing IDE controller in your PC with an available cable connector or a new IDE controller that you will install.

SUPPLIED ACCESSORIES

Item	Quantity
Owner's Manual	1
Setup diskette	1
Audio Cable	1

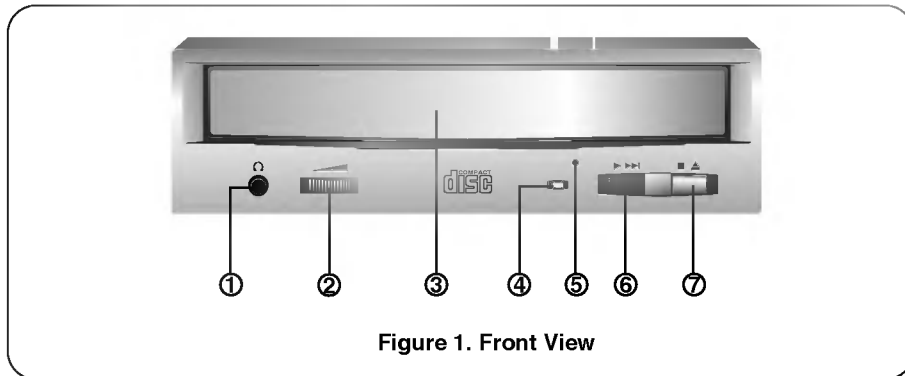


Figure 1. Front View

FRONT VIEW

- ① **Headphone Jack**
3.5mm jack for monitoring the audio signal from audio CDs.
- ② **Headphone Volume Control**
Adjusts the headphone sound level.
- ③ **Disc Drawer**
Accepts a CD-ROM disc on its tray.
- ④ **Busy Indicator**
The Busy Indicator lights during initialization and data-read operations.
- ⑤ **Emergency Eject Hole**
Insert a paper clip here to eject the drawer manually or when there is no power.
- ⑥ **Play/Skip Button**
When an Audio CD is in the Disc Drawer, pressing this button will start playing audio CDs from the first track. If an audio CD is playing, pressing this button will skip to the next track.
- ⑦ **Open/Close/Stop Button**
This button is pressed to open or close the CD tray.
If an audio CD is playing, pressing this button will stop it, and pressing it again will open the tray.

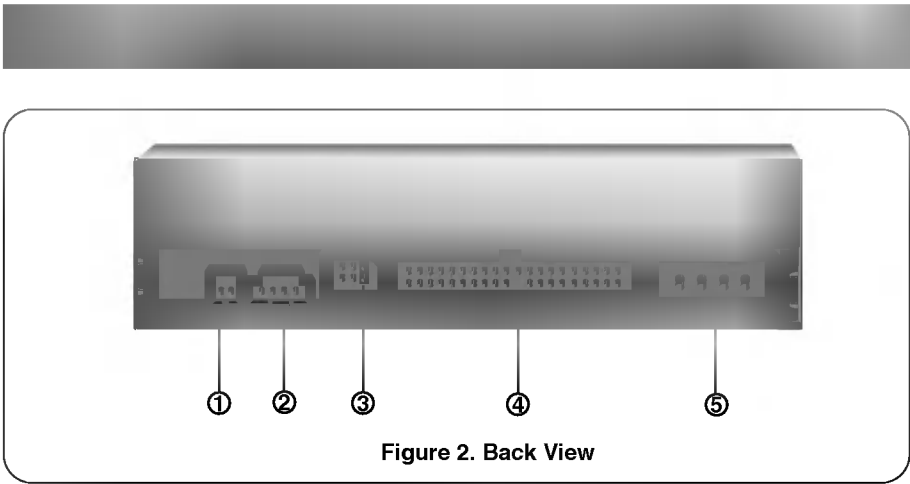


Figure 2. Back View

BACK VIEW

- ① **Digital Audio Output Connector**
This is a digital audio output connector or Video CD output connector. You can connect this to the digital audio system or Video CD Board.
- ② **Analog Audio Output Connector**
The Audio Output Connector connects to a sound card. The supplied audio cable is a SoundBlaster® type cable. If you have a different sound card, you will need to contact the sound card manufacturer to obtain the proper cable for that card.
- ③ **Master / Slave / CSEL Jumper**
These three jumpers are used to set the CD-ROM Drive to either a Master, Slave, or CSEL drive. Refer to section HARDWARE INSTALLATION.
- ④ **Interface Connector**
This 40-pin connector is used to transfer and control signals between the CD-ROM Drive and your PC. Connect the 40-pin IDE cable in your PC to this connector.
- ⑤ **Power-in Connector**
Attach a power cable from the computer to this connector.

This section describes how to install your CD-ROM drive into your computer.

WARNING:

To protect the CD-ROM Drive, your computer, and peripheral devices from damage, turn off their power before installing the drive.

Note: If you are not comfortable about opening your PC and attempting the CD-ROM drive installation, many local computer shops can perform this service for a reasonable cost.

This installation assumes you have a PC with an available connector on an IDE interface cable. If your PC has an IDE hard drive, there is usually an available connector in the middle of the same cable that attaches from the motherboard (or controller card) IDE connector to the hard drive. If the last sentence does not describe your system, you may need to purchase an IDE controller card to install this CD-ROM drive. Inspecting and knowing your PC system will make your installation easier and less time consuming.

A final note before installation: The cable connecting to your floppy disk drive is not an IDE cable. Do not attempt to attach the CD-ROM drive to this cable.

If the CD-ROM drive is to be connected to the same cable as the hard drive, be sure that the hard drive is set as master. Hard drives can be set as single, master, or slave. Check your hard drive owner's manual or contact the hard drive manufacturer for correct jumper settings.

SETTING MASTER / SLAVE JUMPER

* You will see three pairs of pins and a jumper (cap) at the back of the CD-ROM drive. This jumper is used to set the CD-ROM Drive as a CSEL, MASTER, or SLAVE device in your PC. Examples of how the jumper can be placed are shown in Figure 3 below.

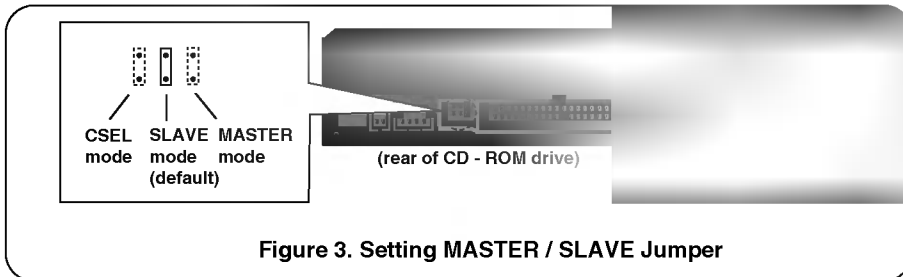


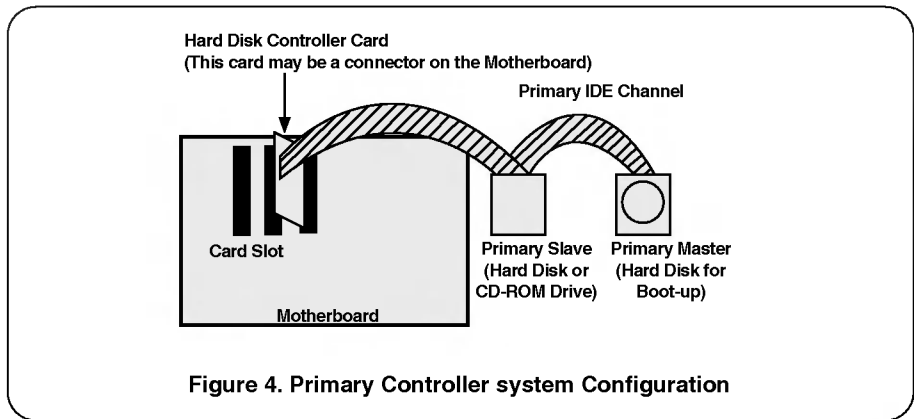
Figure 3. Setting MASTER / SLAVE Jumper

* Move the jumper (clip on one pair of pins) from its default factory position (SLAVE), to CSEL or MASTER as needed (see the following description for the setup that matches your system), using the above diagram to place the jumper.



WHEN USING A PRIMARY IDE CONTROLLER

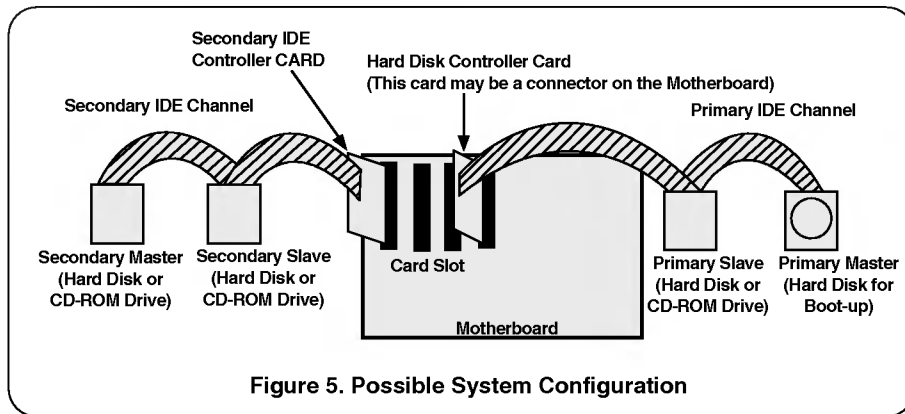
Most PCs provide one IDE cable to support two devices (one for hard disk, the other for a second hard disk or a CD-ROM drive). This IDE cable originates either on the motherboard or on a controller card. This controller is termed the primary IDE controller, and the hard disk attached that contains the operating system for boot-up is set up as the Primary Master. Your CD-ROM drive should be set to the Slave mode.



Note:
Many older 1X and 2X CD-ROM drives used a 40 pin controller card that were not IDE compatible. These were proprietary interface cards for use with a particular model CD-ROM Drive. Many older Sony, Panasonic, and Mitsumi drives used 40 pin proprietary interface cards. If you are upgrading from an older CD-ROM drive, your new CD-ROM will not work on a proprietary interface card. You will need to buy a secondary IDE controller card.

WHEN USING A SECONDARY CONTROLLER

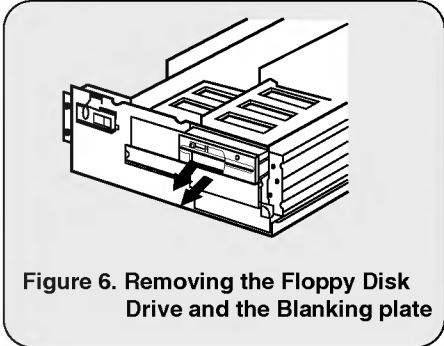
- * If your PC has an additional IDE controller on the motherboard or on a system slot, each IDE device connected to the secondary IDE controller must also be set to the Master or Slave mode. If you are connecting your CD-ROM drive to a secondary IDE card, and it is the 1st device you are connecting to it, then set the CD-ROM jumper to the Master position. If it is the 2nd device, set the CD-ROM jumper to the Slave position.
- * Depending on the IDE card and whether the CD-ROM drive is a master or slave unit, the diagram below represents the different ways in which the CD-ROM may be configured in your PC. The table below the diagram shows the possible Jumper placements that would correspond to each of the different configurations shown.



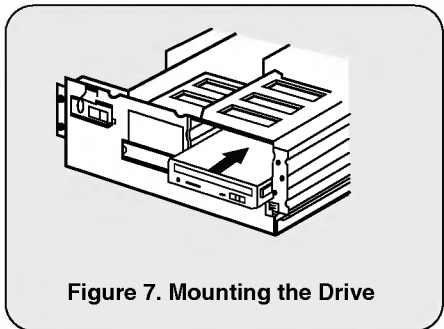
If you have the system with two IDE channels (in the case of an enhanced IDE PC), do not install an IDE controller card in your system.

IDE Controller	CD-ROM Connection	Jumper Placement
Primary (1st IDE card)	Slave(Hard disk is Master)	SLAVE (default)
Secondary (2nd IDE card)	Master(1st device on 2nd IDE Card)	MASTER
Secondary (2nd IDE card)	Slave(2nd device on 2nd IDE Card)	SLAVE (default)
PC Manual says use CSEL		CSEL

MOUNTING THE CD-ROM DRIVE

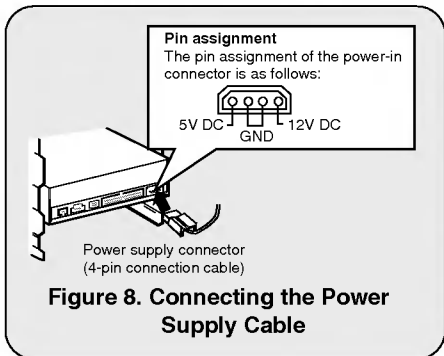


- Step 1.** Turn off and unplug your computer and all peripheral devices attached to it.
- Step 2.** Remove the cover from your computer.
- Step 3.** Remove the front panel from an unused half-height slot.



- Step 4.** Slide the CD-ROM drive into the half-height slot, and secure the drive in place with screws and brackets.

Note: If there is too much space between the sides of the drive and the drive bay, you may need to install spacer brackets, available at your local computer store.



- Step 5.** Push the power supply cable connector firmly into the power in connector.

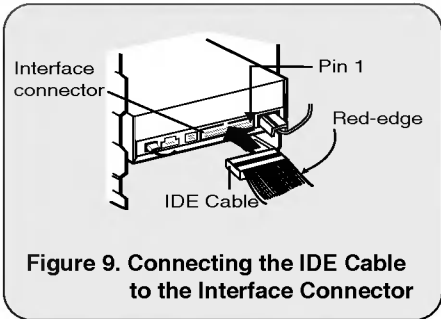
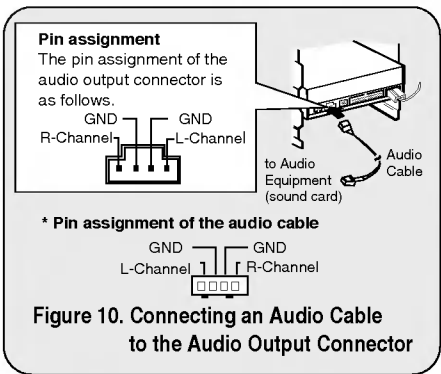


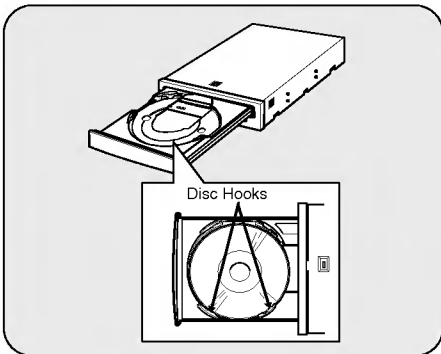
Figure 9. Connecting the IDE Cable to the Interface Connector

Step 6. Connect the 40-pin IDE Cable to the back of the CD-ROM Drive. Please make sure that the red edge of the IDE Cable is connected to Pin 1 on the CD-ROM Drive.

CONNECTING AN AUDIO CABLE



If you want to connect audio equipment or a sound card to the CD-ROM drive, use an audio cable to connect the drive to the sound device.



Note: This CD-ROM Drive can be used vertically.

- To use the drive vertically, open the drawer and put a disc on to the 3 disc hooks. Use only standard 12cm discs.
- Do not touch the unlabeled side of the disc.

This section covers installation and setup for several operating systems. Read the entire section and select the part for your operating system.

THE SET UP PROCESS

The INSTALL program performs the following functions.

- * Allows the user to select the target disk drive where CD-ROM device driver files will be set-up.
- * Unless modified by the user, the INSTALL program searches the target disk for directory(\CDROM); if it is not found, the directory(\CDROM) is created.
- * Copies the CD-ROM device driver file named GSCDROM.SYS, the Microsoft CD-ROM Extension file named MSCDEX.EXE, and the utility files to the specified directory.
- * Modifies your CONFIG.SYS file to list the location and name of the device driver.
- * Modifies your AUTOEXEC.BAT file to load MSCDEX.
- * Terminates and returns control to the user.

LIST OF FILES TO BE INSTALLED IN YOUR PC

- | | |
|----------------------|--|
| * MSCDEX.EXE | Microsoft MS-DOS CD-ROM Extension software, which enables the computer to access the CD-ROM drive. |
| * GSCDROM.SYS | CD-ROM device driver. |
| * EJECT.EXE | Software eject program which can eject the CD tray. |
| * CLOSE.EXE | Software close program which can close the CD tray. |

RUNNING THE INSTALL PROGRAM (DOS INSTALLATION)

- Step 1.** Insert the CD-ROM device driver install diskette into the appropriate drive.
- Step 2.** Go to the floppy drive by typing A: or B: at the DOS prompt, as appropriate.
- Step 3.** Type the word INSTALL and press [ENTER].
- Step 4.** The INSTALL program will begin loading. When loading is complete, the INSTALL program identification will appear on the screen.
- Step 5.** Follow the instructions on the screen.
- Step 6.** If you specify the path information during the installation, the install program will copy the CD-ROM device driver file named GSCDROM.SYS, the Microsoft CD-ROM Extension file named MSCDEX.EXE and the utility files to the specified directory, and modify your CONFIG.SYS file and AUTOEXEC.BAT file.
- Step 7.** When the installation is completed, remove the diskette, and reboot your PC.

CD-ROM EXTENSION PROGRAM MSCDEX.EXE OPTIONS

There are several options that are set for the Microsoft CD Extension program. Generally, these settings do not have to be changed for the CD-ROM drive to work, so these options are needed no further. However, you may decide to change the MSCDEX option settings depending on your operating environment.

These options are explained below:

PARAMETER	DESCRIPTION
/D (Device Name)	Tells MSCDEX.EXE what the device driver's name is (must be same as was used in "/D:" expression of "DEVICE=" line in CONFIG.SYS file)
/E	Tells MSCDEX.EXE to use expanded memory
/L: (Device Name)	Indicates the drive letter to be assigned to the CD-ROM drive
/M: (Value)	Tells MSCDEX.EXE how much memory to allocated for caching. Default is 10 (represents 10 kilobytes).
/V	Provides memory usage statistics, such as how much memory is used by buffers, resident data, and resident code.

ATAPI Installation (Windows 95 and others)

* For Windows 95 installation, do not use the installation diskette supplied. This CD-ROM drive is Windows 95, Windows NT 3.5, and OS/2 Warp compatible, generally utilizing the generic software drivers supplied with those operating systems. Below is the example installing the driver for Windows 95. For other operating systems, try looking for either a LG Electronics or Goldstar IDE CD-ROM drive software driver. If none is found, try selecting one of the device drivers for **Non-listed IDE CD-ROM**.

* You may also look in the software library on our website at www.LGService.com.

(For Windows 95)

1. Install the CD-ROM drive in your PC as described in this manual.
2. Power up your PC. Upon starting Windows 95, it might automatically detect the new CD-ROM drive and load the driver software for it. If not, proceed to the next step.
3. In Windows 95, Click on the Start button. Click on the Settings button. Click on the Control Panel button. Double-Click on the **Add New Hardware** icon. Follow the instructions for the computer to search your system for new hardware. It will locate the CD-ROM drive and load the generic driver.

INSTALLATION, USAGE AND HANDLING PRECAUTIONS

■ Installation

Avoid placing the drive in a location subject to :

- high humidity
- high temperature
- mechanical vibration
- direct sunlight

■ Operation

- During operation, excessive vibration or a sudden jolt to the drive may cause a malfunction.
- Avoid exposing the drive to sudden changes in temperature. This may cause condensation to collect inside the drive.

■ Transportation

- Always remove the disc before moving the drive.

TROUBLESHOOTING

- * When the CD-ROM drive does not work with the hard disk drive in primary IDE channel.

(SOLUTION)

1. Check the CD-ROM drive Master/Slave Jumper setting.
The CD-ROM drive must be set to the Slave mode.
2. Check to be sure your hard disk Interface type is IDE type.
3. Check your hard disk Master/Slave Jumper setting.
Some old-version IDE type hard disks were set to Master Only mode.
In that case, contact your hard disk company and change your hard disk jumper setting to master mode.
4. If the CD-ROM drive does not work with above methods, you may need a secondary IDE card. If you use the secondary IDE card, you should set the CD-ROM drive jumper to the master mode if the CD-ROM drive is the first device you are connecting to the secondary IDE card.

- * When the CD-ROM drive does not install in OS/2 warp.

(SOLUTION)

1. Select *NON-LISTED IDE CD*.

- * CD-ROM drive is not present in Windows 3.1 or 3.11 or DOSSHELL.

(SOLUTION)

1. When the WIN or DOSSHELL command lines are present in your AUTOEXEC.BAT, make sure that the MSCDEX.EXE command line appears **before** the WIN or the DOSSHELL command lines.

NOTE : For more information, consult the README.TXT file of the supplied Setup Diskette.

General

Data Capacity	553 Mbytes (mode 1), 635 Mbytes (mode 2)
Disc Diameter	12 cm / 8 cm
Rotational Speed	7,000 rpm

Performance

Interface	E-IDE
Supported System	IBM PC-AT or Compatible
Transfer rate	Sustained Data Transfer Rate = Max 4800Kbytes/sec
Access Time	Random 75 ms (Typical)
MTBF	125,000 Power On Hours (Duty Cycle 10%)
Buffer size	128 Kbytes
User Data/Block	2,048 bytes/block (Mode1 & Mode2 Form1) 2,340, 2,336 bytes/block (Mode2) 2,324 bytes/block (Mode2 Form2) 2,352 bytes/block (CD-DA)
Supported Disc	CD-DA, CD-ROM, CD-ROM XA-READY, Photo-CD CD-Plus/CD-Extra, CD-RW

Audio Specifications

Frequency Response	20 Hz - 20 KHz ± 3 dB
S / N Ratio	85 dB
THD	0.05 % at 1 KHz
Channel Separation	75 dB at 1 KHz
Headphone Level	0.60 Vrms (33 Ω)
Line Output Level	0.60 Vrms $\pm 10\%$ (47k Ω)
Line Output Jack	4 Pin terminal (Rear)
Headphone Jack	\varnothing 3.5 mm (Front)

Environment

Temperature	5 - 45 $^{\circ}$ C
-------------	---------------------

Power Requirements

12 V $\pm 5\%$ Ripple < 100m Vpp	0.7A (Maximum)
5 V $\pm 5\%$ Ripple < 100m Vpp	1.2A (Maximum)

NOTE: Specifications are subject to change without notice for improvement.

Internet Address :

<http://www.LGService.com>

CD-ROM LIMITED WARRANTY

LG Electronics U.S.A., Inc. will repair or at its option replace, without charge, your product which proves to be defective in material or workmanship under normal use, during the warranty period listed below from the date of original purchase. **This warranty is good only to the original purchaser of the product during the warranty period as long as it is in the U.S. including Alaska, Hawaii, and U.S. Territories.**

WARRANTY PERIOD

<u>MODEL #</u>	<u>LABOR</u>	<u>PARTS</u>	<u>HOW SERVICE IS HANDLED</u>
CRD-8322B	1 Year	1 Year	If the unit is defective, a replacement* will be sent by 2-day air for the first year. After one year, repair or a 2-day swap at a fixed labor charge. For service, please call 1-800-243-0000 (Mon.-Fri. 7AM~7PM CST)

No other express warranty is applicable to this product. THE DURATION OF ANY IMPLIED WARRANTIES, INCLUDING THE IMPLIED WARRANTY OF MERCHANTABILITY, IS LIMITED TO THE DURATION OF THE EXPRESS WARRANTY HEREIN. LG ELECTRONICS U.S.A., INC. SHALL NOT BE LIABLE FOR THE LOSS OF THE USE OF THE PRODUCT, INCONVENIENCE, LOSS OR ANY OTHER DAMAGES, DIRECT OR CONSEQUENTIAL, ARISING OUT OF THE USE OF, OR INABILITY TO USE, THIS PRODUCT OR FOR ANY BREACH OF ANY EXPRESS OR IMPLIED WARRANTY, INCLUDING THE IMPLIED WARRANTY OF MERCHANTABILITY APPLICABLE TO THIS PRODUCT.

Some states do not allow the exclusion or limitation of incidental or consequential damages or limitations on how long an implied warranty lasts; so these limitations or exclusions may not apply to you. This warranty gives you specific legal rights and you may also have other rights which vary from state to state.

THE ABOVE WARRANTY DOES NOT APPLY:

1. To damages or problems which result from delivery or improper installation.
2. To damages or problems which result from misuse, abuse, accident, alteration, or incorrect electrical current or voltage.
3. To service calls which do not involve defective workmanship or material and explaining the operation of the unit.

Therefore these costs are paid by the consumer.

CUSTOMER ASSISTANCE NUMBERS:

- To Prove Warranty Coverage: → Retain your Sales Receipt to prove date of purchase.
→ Copy of your Sales Receipt must be submitted at the time warranty service is provided.
- To Obtain Product, Customer, or Service Assistance: → Call 1-800-243-0000 24 hrs/7 days
Push appropriate menu code.
- For Exchange Service: → Call 1-800-243-0000 (Mon-Fri 8am-5pm CST)
Push appropriate menu code.

* Replacement is a factory-reconditioned unit. Free replacement applies only within the initial one-year period. Factory-reconditioned units are available at a low, fixed cost after the one-year warranty expires.

CD-ROM LAUFWERK

Um alle Möglichkeiten und Funktionen Ihres CD-ROM Laufwerkes voll ausschöpfen zu können, lesen Sie bitte dieses Bedienungshandbuch aufmerksam und vollständig.

Achtung: Um die Gefahr eines elektrischen Schlages zu vermeiden, entfernen Sie nicht das Gehäuse. Keine durch den Anwender zu reparierende Teile im Innern. Überlassen Sie den Service qualifiziertem Service-Personal. Da der im CD-ROM Laufwerk benutzte Laser gefährlich für die Augen ist, sollten Sie keineswegs versuchen, das Gehäuse zu öffnen. Lassen Sie den Service nur durch qualifizierte Servicestellen durchführen.

Dieses Laufwerk ist kompatibel zu CD-ROM Disk mit diesem Warenzeichen.



Warnung: Um die Gefahr eines Feuers oder eines elektrischen Schlages zu vermeiden, setzen sie dieses Gerät niemals Regen oder Feuchtigkeit aus.

Dieses Produkt entspricht der EMC Richtlinie 89/336/EEC und ist demnach mit dem CE Label gekennzeichnet.

WARTUNG

■ Installation

- Vermeiden Sie es das Laufwerk folgenden Umgebungsbedingungen auszusetzen:
- hohe Luftfeuchtigkeit
 - hohe Temperatur
 - mechanische Erschütterungen
 - direktes Sonnenlicht

■ Benutzung

- Starke Vibrationen oder plötzliche Stöße während des Betriebes können zu einer Fehlfunktion des Laufwerkes führen.
- Vermeiden Sie es das Laufwerk plötzlichen Temperaturwechseln auszusetzen. Dies würde zu Kondenswasserbildung im Inneren des Laufwerkes führen.

■ Transport

- Entfernen Sie vor einem Transport immer die Disc.

PRODUKTMERKMALE

- Enhanced - IDE Interface
- 75 ms mittlere Zugriffszeit
- Multimedia PC kompatibel
- Multisession Photo CD fähig
- geringe CPU Belastung (gemäß MPC Spezifikationen)
- 32 fach Datentransferrate
- intelligente Datenbufferung
- HIFI Audioausgabe
- elektrische Schubladenzuführung ohne Caddy
- zum internen Einbau vorgesehen
- Notauswurfunktion
- Einfache Handhabung durch Audio CD Bedienungstaste

SYSTEMVORAUSSETZUNGEN

Ein IBM™ PC™ kompatibles System mit folgenden Komponenten:

- IBM kompatibles System mit min. 486 SX oder höher
- mindestens 640 k Speicher
- 3.5" Floppy Diskettenlaufwerk
- MS-DOS Version 3.1 oder größer

*** MITGELIEFERTES ZUBEHÖR**

Bezeichnung	Menge
Bedienerhandbuch	1
Installationsdiskette	1
Audiokabel	1
IDE Controller Karte	1 (Optional)
Interface Kabel	1 (Optional)

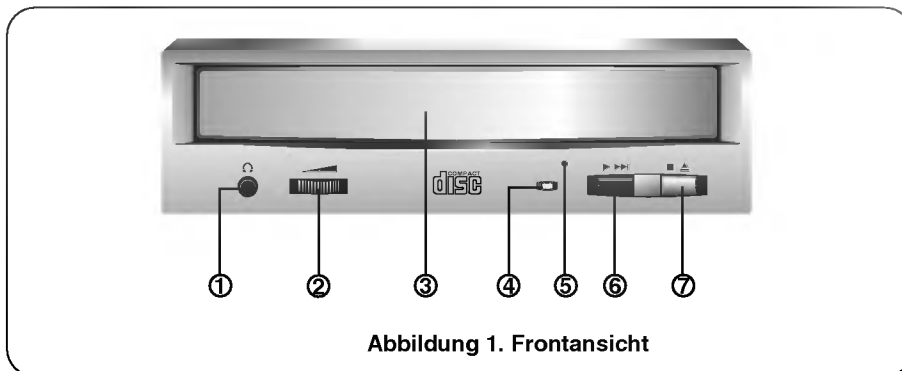
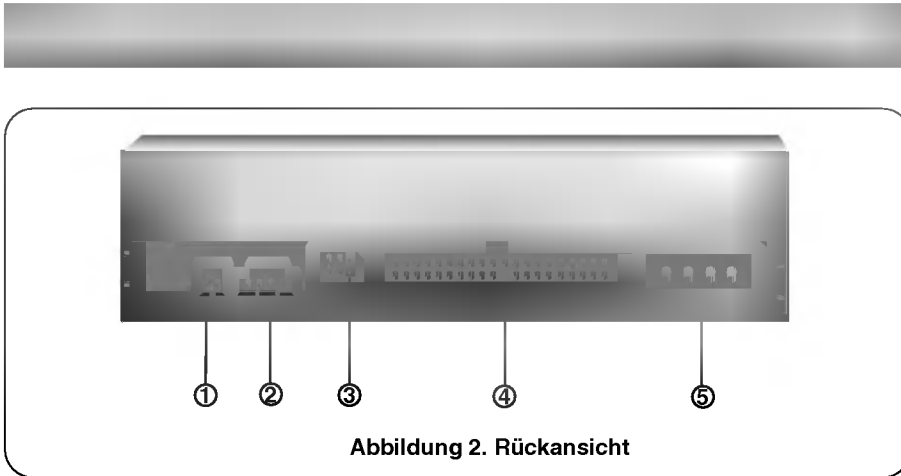


Abbildung 1. Frontansicht

FRONTANSICHT

- ① **Kopfhörerbuchse**
3,5 mm Klinkenbuchse zum Mithören des Audiosignals
- ② **Kopfhörerlautstärkereger**
Regulieren Sie die Lautstärke der Kopfhörer
- ③ **Diskschublade für eine CD-Disk**
- ④ **Betriebs-LED**
Die Betriebs LED leuchtet während der Initialisierung und während des Lesens von Daten.
- ⑤ **Notauswurföffnung**
Drücken Sie hier einen Draht ein, um die Schublade manuell zu öffnen.
- ⑥ **Play/Skip (Abspielen/Weiterspringen) Taste**
Bei Betätigen dieser Taste wird die Audio CD von Anfang an abgespielt. Erfolgt das Betätigen der Taste während die CD abgespielt wird, so wird zur nächsten Spur gewechselt.
- ⑦ **Open/Close/Stop (Öffnen/Schließen/Stop) Taste**
Drücken Sie diese Taste, um die Schublade zu öffnen oder zu schließen. Die Auswurf-taste arbeitet nur, wenn das Laufwerk am Strom angeschlossen ist. Bei Drücken dieser Taste wird der Abspielvorgang der Audio CD gestoppt.



RÜCKANSICHT

- ① **Digitaler Audio Ausgang**
Dies ist ein digitaler Audio Ausgang bzw. Video-CD Ausgang. Hierdurch können Sie eine Verbindung zum digitalen Audio System bzw. zur Video-CD Schnittstellen-Karte (z.B. MPEG) herstellen.
- ② **Audioausgangbuchse**
Dieser Steckverbinder dient der Verbindung mit Ihrer Soundkarte
- ③ **Master/Slave/CSEL Jumper**
Diese drei Jumper werden dazu benutzt das CD-ROM Laufwerk in den "Master", "Slave" oder "CSEL" Modus zu setzen. Lesen Sie hierzu Kapitel "Hardwareinstallation"
- ④ **Interface Anschluß**
Dieser 40 polige Steckverbinder wird zur Signalübertragung zwischen dem CD-ROM Laufwerk und Ihrem PC benutzt. Verbinden Sie das 40 polige IDE - Kabel Ihres PC mit diesem Steckverbinder. Wenn Sie eine zweite IDE - Karte benutzen, verbinden Sie diese Steckverbindung mit der zweiten IDE - Karte.
- ⑤ **Spannungseingangbuchse**
Stecken Sie das Stromversorgungskabel Ihres Computers in diese Steckverbindung.

Dieser Abschnitt beschreibt den Einbau des CD-ROM Laufwerkes in Ihren Computer.

Warnung:

Um das CD-ROM Laufwerk und Ihren Computer, sowie Peripheriegeräte vor Beschädigungen zu schützen, ziehen Sie den Netzstecker, bevor Sie das Laufwerk einbauen.

SETZEN DES MASTER / SLAVE JUMPERS

- * Auf der Rückseite des CD-ROM Laufwerkes sehen Sie drei Jumper. Diese Jumper werden benutzt um das CD-ROM Laufwerk in den "CSEL", "MASTER" oder "SLAVE" Modus zu setzen. Der Jumper muß in eine der drei möglichen Positionen gesteckt werden. Wenn der Jumper auf die "CS" Position gesetzt wird, sollte das Laufwerk das CSEL Signal des Hostadapters zur Konfigurierung benutzen. Die Jumper auf der Rückseite des Laufwerkes sollten nach Einbau zugänglich bleiben.

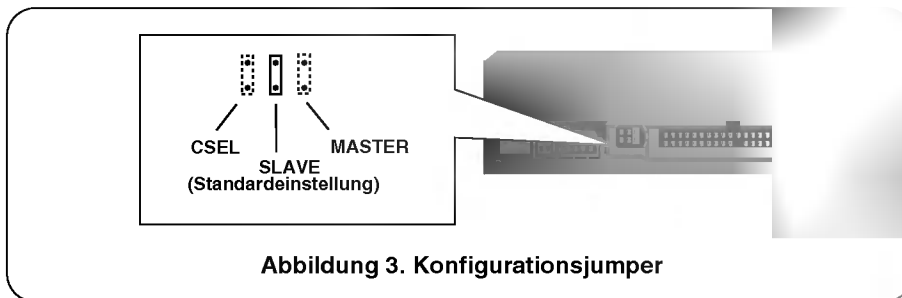


Abbildung 3. Konfigurationsjumper

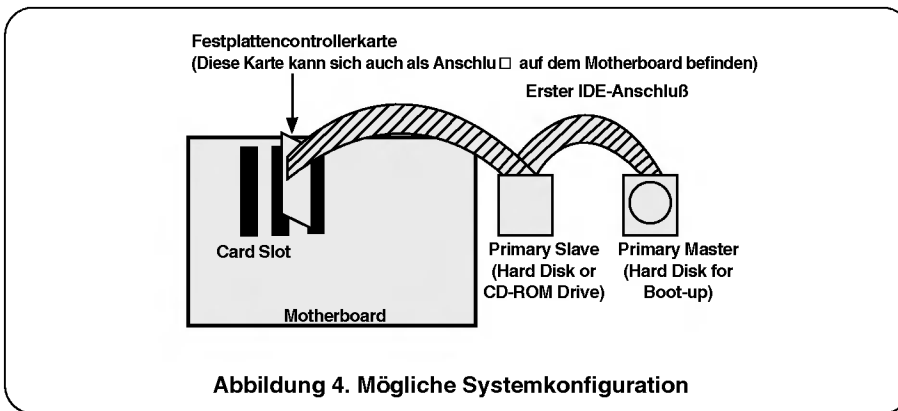
BEMERKUNG:

Die meisten PC's unterstützen über einen Anschluß zwei Geräte (eine Festplatte, und ein CD-ROM Laufwerk oder eine zweite Festplatte). Dieser IDE Anschluß befindet sich entweder auf dem Motherboard oder auf einer Steckkarte.

Dies ist der erste (primary) IDE Adapter.

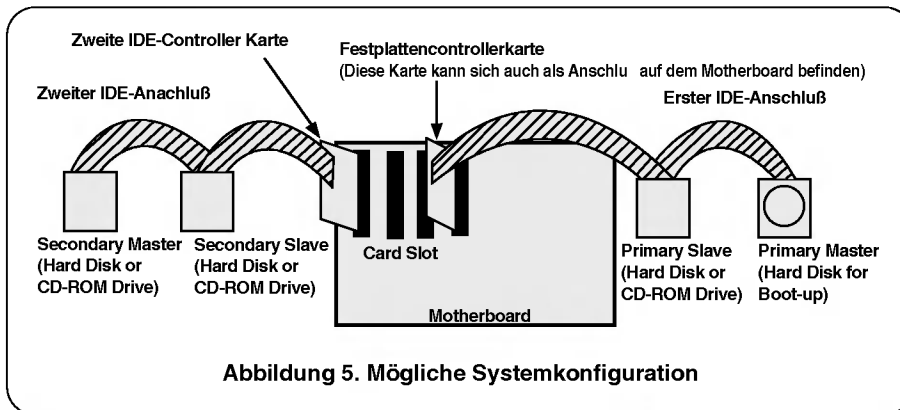
Falls das Betriebssystem von der Festplatte geladen wird, muß diese in den Master Mode gesetzt sein und somit das CD-ROM Laufwerk in den Slave Modus gesetzt werden.

- * Wenn Ihr PC über einen zusätzlichen zweiten (secondary) IDE Controller auf dem Motherboard oder auf einer Steckkarte verfügt, so muß jedes der an diesen zweiten Controller angeschlossenen Geräte ebenfalls entweder in den Master oder den Slave Mode gesetzt werden. In diesem Fall kann Ihr System vier Geräte unterstützen: Primary Master, Primary Slave, Secondary Master, Secondary Slave.



FALLS SIE EINEN ZWEITEN IDE CONTROLLER BENUTZEN

- * Wenn Ihr PC über einen zweiten IDE Controller auf dem Motherboard oder auf einem Slot verfügt, so muß jedes an den zweiten Controller angeschlossene Gerät entweder in den Master- oder Slavemode gesetzt sein.
- * "Primary Master" sollte die Festplatte mit dem Betriebssystem, von dem gebootet wird sein.
Ihr CD-ROM Laufwerk kann "Primary slave", "Secondary Master" oder "Secondary Slave" sein.
Falls Ihr CD-ROM Laufwerk "Secondary Slave" sein soll, so muß ein Gerät (Harddisk oder CD-ROM) als "Secondary Master" angeschlossen sein.

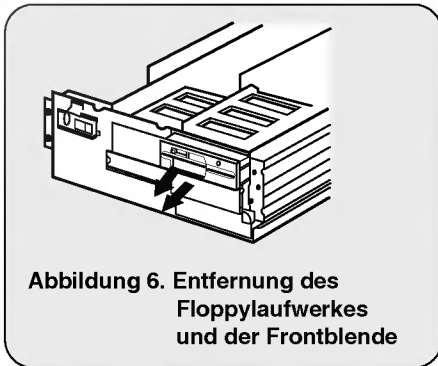


Warnung:

Wenn Sie bereits ein Computersystem mit zwei IDE Anschlüssen besitzen (sogenannte "Enhanced IDE PC") installieren Sie keine zweiten "secondary" IDE Controller!

MODE	IDE Controller	Jumper Einstellung
Primary Slave	Primary Controller	Slave Jumper gesetzt
Secondary Master	Secondary Controller	Master Jumper gesetzt
Secondary Slave	Secondary Controller	Slave Jumper gesetzt
Use Csel		Use Csel Jumper gesetzt

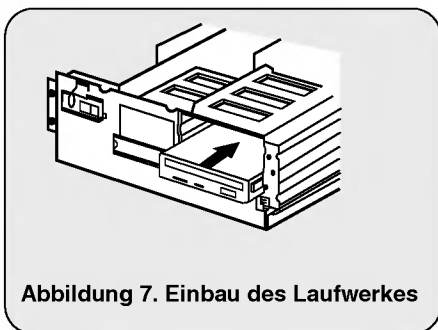
EINBAU DUS CD-ROM LAUFWERKES



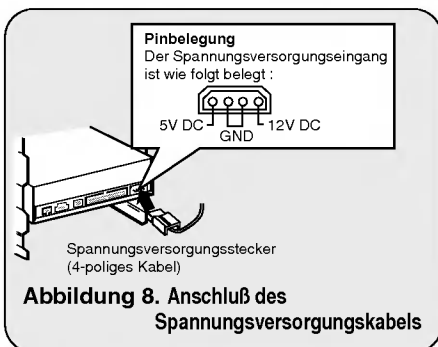
Schritt 1. Schalten Sie den Computer und allen Pheripheriegeräte aus und lösen Sie alleVerbindungs- kabel.

Schritt 2. Entfernen Sie den Deckel Ihres Computers.

Schritt 3. Entfernen Sie die Frontblende eines ungenutzten 5.25" Einbauschachtes mit halber Bauhöhe.



Schritt 4. Schieben Sie das CD-ROM Laufwerk in den Einbauschacht, und sichern Sie das Laufwerk mit Einschubschienen und Schrauben.



Schritt 5. Drücken Sie den Spannungsversorgungsstecker vorsichtig in dieSpannungseingangs- buchse.

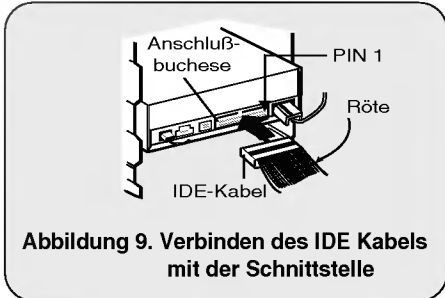


Abbildung 9. Verbinden des IDE Kabels mit der Schnittstelle

Schritt 6. Verbinden Sie das 40 polige IDE Kabel mit dem Anschluß auf der Rückseite des Laufwerkes. Stellen Sie bitte sicher, daß die rote Ader des IDE-Kabels mit PIN 1 des CD-ROM Laufwerkes verbunden ist.

ANSCHLUß EINES AUDIOKABELS

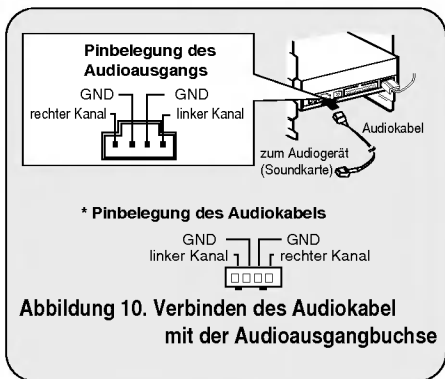
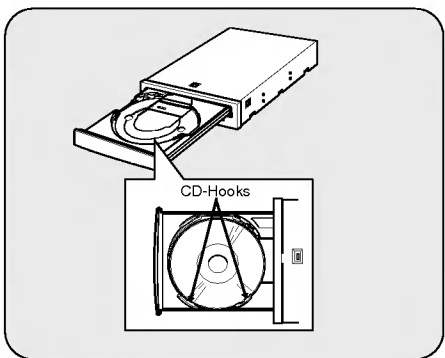


Abbildung 10. Verbinden des Audiokabel mit der Audioausgangsbuchse

Benutzen Sie ein Audiokabel um Audiogeräte oder eine Soundkarte mit dem CD-ROM Laufwerk zu verbinden.



Achtung: Dieses CD-ROM Laufwerk kann in vertikaler Position benutzt werden.

- Um dieses Laufwerk auch in vertikaler Position benutzen zu können, öffnen Sie die schublade und arretieren die CD mit den CD-Hooks.
- CD s von 8cm Größe können nicht gelesen werden. Vermeiden Sie die Berührung der CD-Unterseite.

DER SETUP - VORGANG

Das INSTALL - Programm unterstützt die folgenden Funktionen.

- * Erlaubt die Festlegung des Laufwerkes auf dem die CD-ROM Laufwerk Gerätetreiber installiert werden, zu wählen.
- * Wenn nicht vom Anwender geändert, sucht das INSTALL - Programm auf dem Standardlaufwerk nach dem Verzeichnis (\CDROM) und richtet dieses ein falls es nicht vorhanden ist.
- * Kopiert den CD-ROM Laufwerk Gerätetreiber mit der Bezeichnung "GSCDROM.SYS", die Microsoft Betriebssystemerweiterung "MSCDEX.EXE" und einige Hilfsprogramme in das ausgewählte Verzeichnis.
- * Ergänzt Ihr CONFIG.SYS File um den Gerätetreiberaufruf
- * Ergänzt Ihr AUTOEXEC.BAT File um den Ladeaufruf für MSCDEX.
- * Beendet sich und übergibt die Systemkontrolle wieder an den Nutzer.

LISTE DER PROGRAMME DIE AUF IHREM PC INSTALLIERT WERDEN

- * **MSCDEX.EXE** Microsoft MSDOS Betriebssystemerweiterung für den Zugriff auf CD-ROM Laufwerke.
- * **GSCDROM.SYS** CD-ROM Gerätetreiber.
- * **EJECT.EXE** Software zum Öffnen der Schublade über ein Programm.
- * **CLOSE.EXE** Software zum Schließen der Schublade über ein Programm.
- * **LOCK.EXE** Software die Eject Taste des Laufwerkes sperrt.
Diese Funktion ist hilfreich gegen ein unbefugtes Öffnen des Laufwerkes.
- * **UNLOCK.EXE** Programm was die Sperre wieder aufhebt.

STARTEN DES INSTALL - PROGRAMMS

Schritt 1. Schieben sie die CD-ROM Laufwerk Gerätetreiberdiskette in das 3.5" Laufwerk.

Schritt 2. Wechseln Sie auf das Floppylaufwerk

Schritt 3. Geben Sie INSTALL ein und drücken Sie die [Enter] Taste

Schritt 4. Das INSTALL - Programm wird geladen. Wenn der Ladevorgang abgeschlossen ist erscheint nachfolgendes Fenster:

Schritt 5. Folgen Sie den Anweisungen auf dem Bildschirm.

Schritt 6. Wenn Sie die Pfad-Informationen während der Installierung spezifizieren, werden die CD-ROM Laufwerk Treiber-Datei "GSCDROM.SYS", die Microsoft CD-ROM Erweiterungsdatei "MSCDEX.EXE" und die Utility Dateien vorn Installierungsprogramm in das angegebene Verzeichnis hineinkopiert. Gleichzeitig werden die CONFIG.SYS Datei und die AUTOEXEC.BAT Datei modifiziert.

Schritt 7. Nach Abschluss der Installierung müssen Sie den PC erneut booten.

OPTIONEN DER CD-ROM BETRIEBSSYSTEMERWEITERUNG MSCDEX.EXE

Es gibt eine Reihe von Optionen, die für die Microsoft Betriebssystemerweiterung festgelegt werden müssen. Diese sind nachfolgend beschrieben:

PARAMETER	BESCHREIBUNG
/D (Gerätename)	Teilt MSCDEX.EXE den Namen des Gerätetreibers mit. (dieser muß mit dem in der "DEVICE=" Zeile im "/D:" Ausdruck benutzten Namen übereinstimmen)
/E	Befiehlt MSCDEX.EXE expanded memory zu benutzen.
/L: (Gerätename)	Gibt den Laufwerksbuchstaben an, der dem CD-ROM Laufwerk zugewiesen wird.
/M: (Größe)	Sagt MSCDEX.EXE wieviel Speicher der Cache nutzen soll. Standardwert ist 10, was 10 kB entspricht.
/N	Gibt statistische Informationen über die Speichernutzung durch Buffer, residente Daten und residente Programme.

FEHLERBEHANDLUNG

* Wenn das CD-ROM Laufwerk nicht mit der Festplatte an der *"primary IDE I/O Adresse"* arbeitet.

- (Lösung):
1. Überprüfen Sie den *"Master/Slave Jumper"* auf der Rückseite des CD-ROM Laufwerkes. Das CD-ROM Laufwerk muß auf Slave gesetzt werden.
 2. Stellen Sie sicher, daß Ihre Festplatte wirklich eine IDE Festplatte ist.
 3. Überprüfen Sie den *"Master/Slave Jumper"* auf der Rückseite der Festplatte. Die Festplatte muß auf Master gesetzt werden. Einige alte IDE- Festplatten wurden vom Hersteller auf *"Master only"* gesetzt. In diesem Fall befragen Sie den Hersteller der Festplatte wie Sie diese in den Master Modus setzen können.
 4. Falls das CD-ROM Laufwerk nach Durchführung obiger Arbeiten noch nicht funktioniert, benötigen Sie eine zweite IDE Karte. Wenn Sie eine zweite IDE Karte benutzen müssen, ist es erforderlich den *"Master/Slave Jumper"* des CD-ROM Laufwerkes auf *"Master"* setzen.

* Wird OS/2 Warp nicht vom CD-ROM Laufwerk installiert.

(Lösung) 1. Wählen Sie *"NON-LISTED IDE CD"*.

Warnung

1. Wenn Sie WIN oder DOSSHELL Kommando in Ihre AUTOEXEC.BAT einfügen wollen, vergewissern Sie sich, ob die MSCDEX.EXE Datei vor dem Aufruf WIN oder DOSSHELL steht.

ALLGEMEINES

Datenlesekapazität	553 Mbyte (mode 1), 635 Mbyte (mode 2)
Diskdurchmesser	12 cm / 8 cm
Umdrehungsgeschwindigkeit	7000 rpm

GESCHWINDIGKEIT

Interface	Enhanced IDE
unterstütztes System	IBM PC-AT oder kompatibel
Transferrate	ständige Datentransferrate = maximal 4800Kbytes/s
Zugriffszeit	im Mittel 75 ms (Random)
Fehlerhäufigkeit	125,000 Stunden Einschaltdauer (bei 10% Zugriff)
Buffer Größe	128 Kbytes
Unterstützte logische Blocklänge	2,048, bytes/block (Mode 1 & Mode 2 Form 1) 2,340, 2,336 bytes/block (Mode 2) 2,324 bytes/block (Mode 2 Form 2) 2,352 bytes/block (CD-DA)
Verwendbares Diskformat	CD-DA, CD-ROM, CD-ROM XA-READY, Photo-CD CD-Plus/CD-Extra, CD-RW

AUDIO SPEZIFIKATIONEN

Frequenzbereich	20 Hz - 20kHz ± 3 dB
Dynamik Bereich	80 dB
S/N Verhältnis	85 dB
Klirrfaktor	0,05% bei 1 kHz
Kanaltrennung	75 dB bei 1 kHz
Kopfhörersignalpegel	0,60 Vss (33 Ohm)
Ausgangssignalpegel	0,60 Vss $\pm 10\%$ (47 KOhm)
Ausgangssteckverbindung	4 pol Buchse (auf der Rückseite)
Kopfhörerstecker	3,5 mm Klinenstecker (Vorderseite)

UMGEBUNGSTEMPERATUR

Temperatur	5 - 45 °C
------------	-----------

STROMVERSORUNG

12 V $\pm 5\%$	0.7A (maximal)
Restwelligkeit < 100m Vss	
5 V $\pm 5\%$	1.2A (maximal)
Restwelligkeit < 100m Vss	

UNITÉ LECTEUR DE DISQUE CD-ROM

Lisez attentivement et entièrement ce manuel, afin de pouvoir utiliser toutes les caractéristiques et toutes les fonctions de votre appareil.

ATTENTION : Pour réduire les risques de décharges électriques, ne démontez pas le capot (ou le panneau arrière) du lecteur.
Aucune des pièces internes ne doit être manipulée par l'utilisateur.
Toute intervention doit être effectuée par un personnel qualifié.
Le rayon laser utilisé dans le lecteur CD-ROM est invisible à l'œil nu. N'essayez donc pas de démonter le boîtier. Pour toute intervention, adressez-vous à un personnel qualifié.

Cet appareil utilise des disques CD-ROM portant ce label :



AVERTISSEMENT : Pour réduire les risques d'incendie ou de choc électrique, n'exposez pas cet appareil à la pluie ou à l'humidité.

PRECAUTIONS

■ Installation

Évitez de placer le lecteur à un endroit exposé à :

- une forte humidité,
- une température élevée,
- des vibrations mécaniques,
- la lumière directe du soleil.

■ Fonctionnement

- Un choc brutal ou des vibrations excessives au cours de l'utilisation du lecteur peuvent entraîner un mauvais fonctionnement de l'appareil.
- Évitez de soumettre le lecteur à de brusques changements de température. Cela pourrait entraîner la formation de condensation à l'intérieur de l'appareil.

■ Transport

- Ne laissez jamais de disque à l'intérieur du lecteur pendant le transport.

CARACTERISTIQUES

- Interface E-IDE
- Temps d'accès moyen : 75 ms
- Compatibilité PC multimedia
- Prise en charge de plusieurs sessions CD photo
- Petite largeur de bande de l'unité centrale (spéc. MPC)
- Système de transfert de données 36X-speed.
- Système intelligent pour la mise des données en mémoire tampon
- Haute fidélité audio
- Chargement avec plateau sans système de caddy
- Conçu pour un montage interne
- Prise en charge de l'éjection en cas d'urgence
- Réglage facile du son CD

CONFIGURATION DU SYSTEME REQUISE

PC IBM ou compatible avec les éléments suivants

- PC IBM compatible 486SX
- Mémoire d'au moins 640 K
- Lecteur de disquette (3 1/2 pouces)
- Version 3.1 ou ultérieure de MS-DOS

*** ACCESSOIRES FOURNIS AVEC LE LECTEUR:**

Nom	Quantité
Mode d'emploi	1
Disquette d'installation	1
Câble Audio	1
Carte Contrôleur IDE	1 (en option)
Carte d'interface	1 (en option)

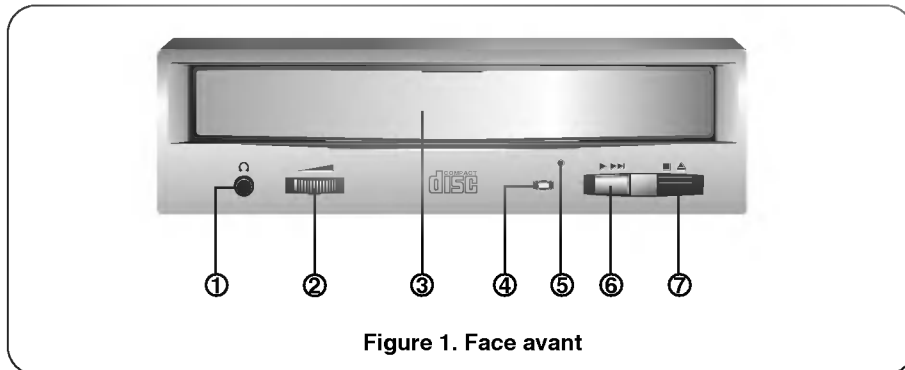


Figure 1. Face avant

FACE AVANT

- ① **Prise casque**
Prise jack de 3,5mm de diamètre pour le signal audio.
- ② **Commande de volume du casque**
Réglez le niveau du volume de votre casque à l'aide de cette commande.
- ③ **Plateau à disque**
Installez le disque CD-ROM sur ce support.
- ④ **Témoin d'activité**
Ce témoin ne s'allume que pendant l'initialisation et la lecture de données sur le disque.
- ⑤ **Trou d'éjection d'urgence**
En foncez une tige à l'intérieur de ce trou pour ouvrir le support manuellement.
- ⑥ **Touche Play/Skip (de lecture/saut)**
Lorsqu'un disque est installé sur le plateau, cette touche lance la lecture à partir de la première plage. En cours de lecture, cette elle permet de passer à la prochaine plage du disque.
- ⑦ **Touche Open/Close/Stop (ouverture/fermeture/arrêt)**
Cette touche permet d'éjecter ou de fermer le plateau de lecteur.
Elle n'est opérationnelle que si l'appareil est sous tension.
Si vous appuyez sur cette touche pendant la lecture d'un disque, la lecture s'arrête.

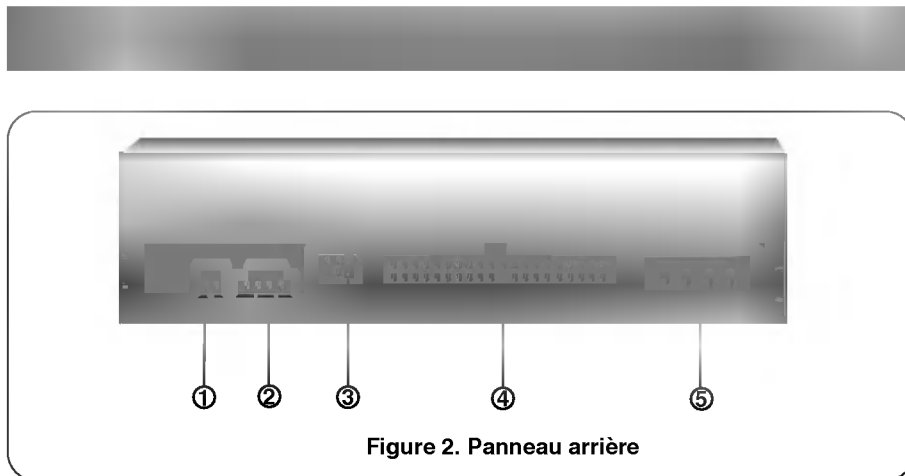


Figure 2. Panneau arrière

PANNEAU ARRIÈRE

- ① **Connecteur de Sortie Audio/Video numérique**
Ceci est un connecteur de sortie numérique Audio ou Video.
Vous pouvez l'utiliser pour connecter la carte audio numérique ou video numérique.
- ② **Connecteur de sortie sonore**
Le connecteur de sortie sonore est raccordé à la carte son.
- ③ **Cavalier maître/esclave**
Le cavalier maître/esclave permet de configurer le lecteur CD-ROM en mode "Maître" ou "esclave" lorsqu'il fonctionne avec votre disque dur.
- ④ **Connecteur d'interface**
Acheminement des données. Raccordez le câble d'interface à ce connecteur et à la carte d'interface installée sur votre ordinateur.
- ⑤ **Connecteur d'alimentation**
Ce connecteur sert à l'alimentation CC du lecteur. Raccordez le câble d'alimentation à l'ordinateur et à ce connecteur.

Cette section décrit la procédure à suivre pour installer le lecteur CD-ROM sur votre ordinateur.

ATTENTION !!

Pour éviter d'endommager le lecteur, l'ordinateur et les unités périphériques, mettez l'ordinateur et toutes unités périphériques connectées hors tension avant de procéder à l'installation matérielle.

RÉGLAGE DU CAVALIER EN MODE MAÎTRE/ESCLAVE

Vous trouverez à l'arrière du lecteur CD-ROM trois positions possibles pour le cavalier maître/esclave.

Ces positions permettent de configurer l'unité en mode CSEL(CS). MAITRE(MA) ou ESCLAVE(SL). Lorsque vous retirez le cavalier de la position CS, l'unité peut être configurée en mode Maître(position MA) ou Esclave(position SL).

Lorsque vous réglez le cavalier sur la position CL(CSEL), la configuration de l'unité est déterminée par le signal de l'ordinateur.

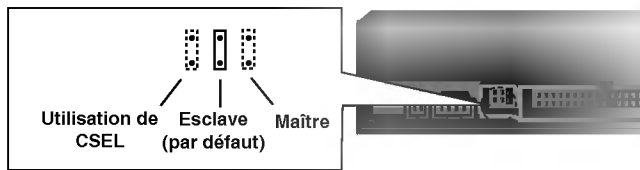


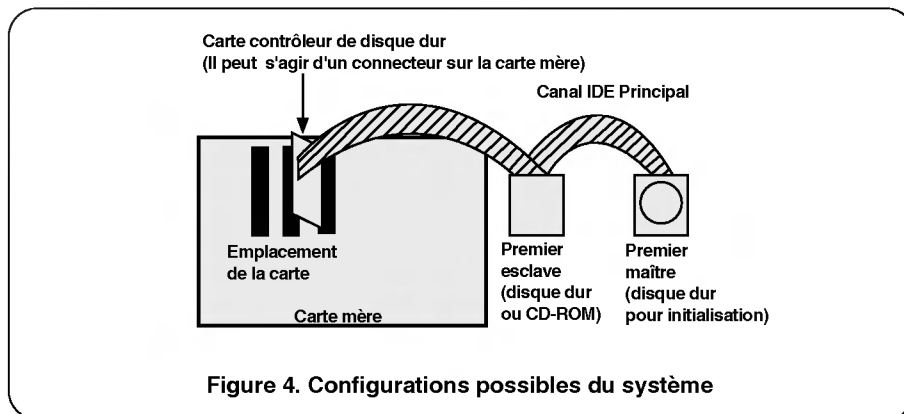
Figura 3.Cavalier de configuration de l'unité

UTILISATION D'UN CONTRÔLEUR IDE PRINCIPAL:

La plupart des PC disposent d'un connecteur IDE capable de prendre en charge deux unités (une pour un disque dur, l'autre pour un disque dur ou un lecteur CD-ROM). Ce connecteur IDE se trouve soit sur la carte mère, soit sur une carte contrôleur.

Il s'agit d'un connecteur IDE principal.

Dans ce cas, l'unité de disque dur qui contient le système d'exploitation pour l'initialisation doit être configuré en mode Maître (MA) et le lecteur CD-ROM en mode Esclave (SL).



UTILISATION D'UN CONTRÔLEUR IDE AUXILIAIRE:

- * Si votre PC dispose d'un contrôleur IDE auxiliaire sur la carte mère ou à un autre emplacement du système, chaque unité IDE connectée au contrôleur IDE auxiliaire doit également être configurée en mode Maître (MA) ou Esclave (SL). Dans ce cas, votre système peut prendre en charge quatre unités périphériques, configurées comme suit: Maître principal, Esclave principal, Maître auxiliaire et Esclave auxiliaire.
- * Maître principal doit correspondre au disque dur contenant le système d'exploitation pour l'initialisation. Enfin, le réglage du cavalier à l'arrière du lecteur permet de configurer votre unité CD-ROM comme Esclave principal, Maître auxiliaire ou Esclave auxiliaire. Si l'unité CD-ROM est raccordée à un port auxiliaire comme Esclave, une unité Maître (disque dur ou autre CD-ROM IDE) doit également correspondre à ce port.

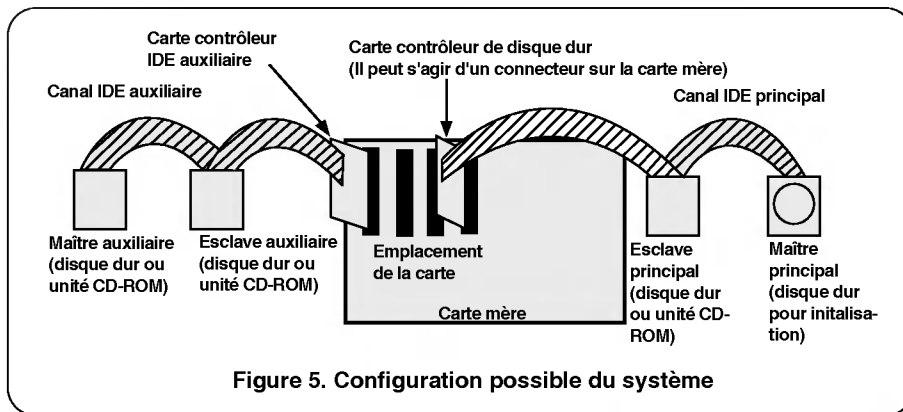


Figure 5. Configuration possible du système

ATTENTION:

Si vous avez un système avec deux canaux IDE (cas d'un PC amélioré), n'installez pas la carte contrôleur IDE auxiliaire sur votre système.

MODE	CONTROLEUR IDE	REGLAGE CAVALIER
Esclave principal	Contrôleur principal	Cavalier sur SL
Maître auxiliaire	Contrôleur auxiliaire	Cavalier sur MA
Esclave auxiliaire	Contrôleur auxiliaire	Cavalier sur SL
Utilisation de CSEL		Cavalier sur CS

MONTAGE DU LECTEUR CD-ROM

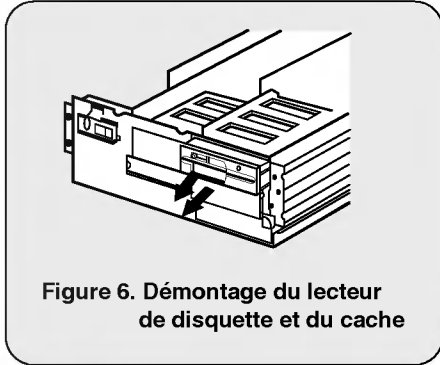


Figure 6. Démontage du lecteur de disquette et du cache

1. Eteignez et débranchez votre ordinateur, ainsi que toutes les unités périphériques qui sont connectées dessus.
2. Enlevez le capot de l'ordinateur.
3. Démontez le panneau qui protège l'un des emplacements inutilisés à mi-hauteur de l'appareil.

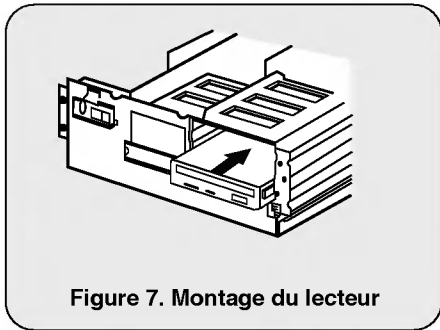


Figure 7. Montage du lecteur

4. Faites glisser le lecteur CD-ROM dans son emplacement et fixez-le à l'aide des vis et des supports de fixation.

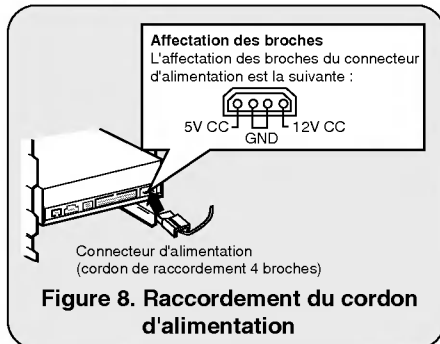
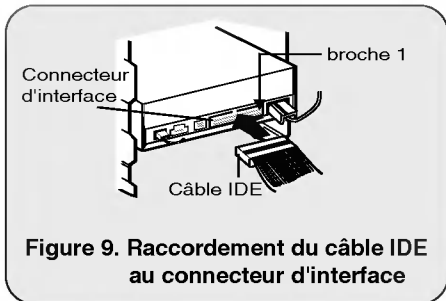


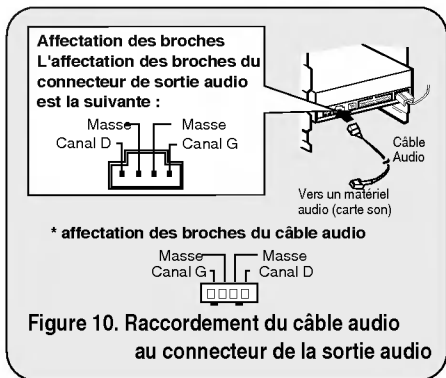
Figure 8. Raccordement du cordon d'alimentation

5. Branchez le cordon d'alimentation sur le connecteur d'alimentation.

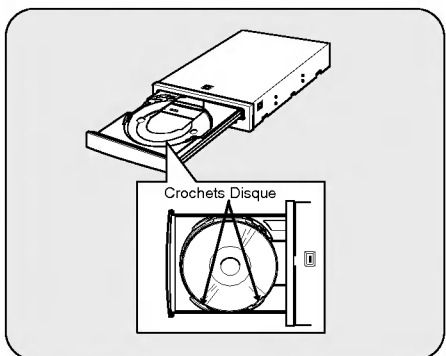


6. Raccordez le câble IDE 40 broches à l'arrière de l'unité de lecteur CD-ROM. Veillez à faire correspondre le côté rouge du câble à la broche 1 sur l'appareil.

RACCORDEMENT DU CÂBLE AUDIO



Pour connecter du matériel audio ou une carte son sur le lecteur CD-ROM, utilisez un câble audio.



NOTE: Ce lecteur CD-ROM peut être utilisé verticalement

- Pour utiliser le lecteur verticalement, ouvrir le tiroir et placer un disque derrière les trois crochets.
- Vous ne pouvez pas utiliser de CD 8cm en position verticale. Ne pas toucher à la face sans étiquette du CD.

PROCÈDURE D'INSTALLATION

Le programme INSTALL exécute les fonctions suivantes:

- * Permet à l'utilisateur de sélectionner l'unité de disques destinataire pour l'installation des fichiers pilotes de l'unité CD - ROM.
- * A moins d'une intervention de l'utilisateur, recherche le répertoire \CDROM sur le disque destinataire et le crée, s'il n'existe pas.
- * Copie le fichier de l'unité CD - ROM intitulé "GSCDROM.SYS", le fichier d'extension CD-ROM Microsoft "MSCDEX.EXE" et les fichiers des utilitaires dans le répertoire spécifié.
- * Modifie votre fichier CONFIG.SYS pour répertorier l'emplacement et le nom du pilote de l'unité.
- * Modifie votre fichier AUTOEXEC.BAT de manière à charger MSCDEX.
- * Redonne la main à l'utilisateur à l'issue de l'installation.

LISTE DES FICHIERS À INSTALLER SUR VOTRE PC

- * **MSCDEX.EXE** Logiciel d'extension CD-ROM MS-DOS de Microsoft, qui permet à l'ordinateur d'accéder à l'unité CD-ROM.
- * **GSCDROM.SYS** Pilote de l'unité CD-ROM.
- * **EJECT.EXE** Programme du logiciel pour l'éjection du plateau de disque.
- * **CLOSE.EXE** Programme du logiciel pour la fermeture du plateau de disque.
- * **LOCK.EXE** Programme permettant de verrouiller la touche d'éjection. Une fois verrouillée, la touche d'éjection ne fonctionne plus. Cette fonction peut se révéler utile si vous utilisez le lecteur de disque CD-ROM pour un travail important.
- * **UNLOCK.EXE** Programme permettant de déverrouiller la touche d'éjection. Après l'exécution de ce programme, la touche d'éjection fonctionne de nouveau normalement.

LANCEMENT DU PROGRAMME INSTALL

- a) Insérez la disquette d'installation contenant le programme pilote de l'unité CD - ROM dans le lecteur adéquat.
- b) Passer sur la disquette en tapant A: ou B: (selon le lecteur utilisé) à l'invite de DOS.
- c) Tapez INSTALL et appuyez sur la touche [ENTER]
- d) Le programme d'installation commence le chargement des fichiers. Lorsque l'opération est terminée, l'écran suivant affiche le répertoire d'installation du programme.
- e) Suivez les instructions affichées l'écran.
- f) Si vous spécifiez le chemin pendant l'installation, le programme d'installation copiera le pilote de l'unité CD - ROM "GSCDROM.SYS", le fichier d'extension CD-ROM Microsoft "MSCDEX.EXE" et les utilitaires dans le répertoire spécifié et modifiera automatiquement vos fichiers CONFIG.SYS, AUTOEXEC.BAT.
- g) Une fois l'installation terminée, Redémarrez votre PC.

OPTIONS DU PROGRAMME D'EXTENSION CD-ROM MSCDEX.EXE

Piusreurs options doivent être définies dans le programme d'extension CD Microsoft.

PARAMETRE	DESCRIPTION
/D (NOM D'UNITE)	Indique à MSCDEX.EXE le nom du programme pilote (nom suivant l'expression "/D:" dans la ligne "DEVICE" du fichier CONFIG.SYS).
/E	Signale à MSCDEX.EXE l'utilisation de la mémoire étendue.
/L:(LETTRE D'UNITE)	Indique la lettre affectée à l'unité de lecteur CD-ROM.
/M: (VALEUK)	Indique à MSCDEX.EXE la quantité de mémoire affctée à l'antémémoire. La valeur par défaut est 10 (10 kilo-octets).
/V	Fournit les statistiques sur l'utilisation de la mémoire (quantité de mémoire utilisée pour les tampons, les données résidentes et le code résidents).

DÉPANNAGE

* Si le lecteur CD-ROM ne fonctionne pas lorsque l'unité de disque dur est réglée sur le canal d'E/S IDE principal.

- (SOLUTION) 1. Vérifiez le cavalier maître/esclave du lecteur CD-ROM.
Il doit être réglé sur le mode esclave.
2. Vérifiez que l'interface du disque dur est bien du type IDE.
3. Vérifiez le réglage du cavalier maître/esclave de votre disquedur.
Les anciennes versions des disques durs de type IDE sont parfois configurées en mode Maître seulement (Master Only).
Dans ce cas, contactez votre fournisseur de disque dur et modifiez le réglage du cavalier pour passer en mode Maître.
4. Si le lecteur ne fonctionne toujours pas, vous aurez besoin de la carte auxiliaire IDE (IDE secondary card).

* Quand le lecteur CD-ROM n'installe pas OS/2 warp.

(Solution) 1. Sélectionner < NON-LISTED IDE CD >

AVERTISSEMENT:

1. Si vous voulez ajouter la ligne de commande WIN ou DOSSHELL dans votre fichier AUTOEXEC.BAT, veillez à les placer après la ligne de commande MSCDEX.EXE.

GÉNÉRALITÉS

Capacité	553 MO (Type 1), 635 MO (Type 2)
Diamètre des disques	12 cm / 8cm
Vitesse de rotation	7,500 tours/min

PERFORMANCES

Interface	E-IDE
Système compatible	IBC PC-AT ou compatible
Débit de transfert	Débit du transfert de données = Maxi 5400 Ko/sec
Temps d'accès	En moyenne 75 msec (Random)
Durée de fonctionnement	125,000 heures (pourcentage d'utilisation 10%)
Taille de mémoire tampon	128 Ko
Longueurs blocs logiques acceptées	2,048 octets/bloc (Mode 1 & Mode 2 Forme 1) 2,340 2,336 octets/bloc (Mode 2) 2,324 octets/bloc (Mode 2 Forme 2) 2,352 octets/bloc (CD-DA)
Format applicable au disque	CD-DA, CD-ROM, CD-ROM XA-READY, Photo-CD CD-Plus/CD-Extra, CD-RW

DONNÉES TECHNIQUES AUDIO

Réponse en fréquence	20 Hz-20 KHz ± 3 dB
Gamme dynamique	80 dB
Rapport signal/bruit	85 dB
Distorsion harmonique totale	0.05 % à 1 KHz
Séparation des canaux	75 dB à 1 KHz
Niveau du casque	0.60 V eff (33 Ω)
Niveau de sortie ligne	0.60 V eff $\pm 10\%$ (47K Ω)
Prise sortie ligne	Borne 4 broches (arrière)
Prise casque	\varnothing 3.5 mm (avant)

CONDITIONS D'UTILISATION

Température	5 - 45 °C
-------------	-----------

ALIMENTATION

12V $\pm 5\%$ Ondulation < 100m V crête à crête	0.7 A (maximum)
5V $\pm 5\%$ Ondulation < 100m V crête à crête	1.2 A (maximum)

CD-ROM DRIVE

La lettura attenta del presente manuale in ogni sua parte è necessaria per potere approfittare appieno delle caratteristiche e delle funzioni offerte dal CD-ROM Drive.

ATTENZIONE: Il laser impegnato nel drive CD-ROM Drive potrebbe causare danni alla vista. Non si tenti perciò di aprire la copertura.
Per ridurre il rischio di scossa elettrica, non togliete la copertura (né il pannello posteriore).
Non contiene nessuna parte che sia soggetta a manutenzione da parte dell'utente.
Per la manutenzione, ricorrete a personale di manutenzione qualificato.

Questo apparecchio fa uso di dischi CD-ROM contrassegnati con questo simbolo:



ATTENZIONE:

Per ridurre il rischio di incendio o di scossa elettrica, questo apparecchio non deve essere esposto alla pioggia o all'umidità.

INSTALLAZIONE, USO E PRECAUZIONI

■ Installazione

- Si eviti di sistemare il drive in un luogo soggetto a:
- elevata umidità
 - elevata temperatura
 - vibrazioni meccaniche
 - luce solare diretta

■ Funzionamento

- Durante il funzionamento, vibrazioni eccessive o scosse improvvise possono alterare il funzionamento dell'apparecchio.
- Si eviti di esporre il drive ad improvvisi cambiamenti di temperatura. Ciò potrebbe provocare la formazione di condensa al suo interno.

■ Trasporto

- Prima di spostare il drive, si abbia sempre la precauzione di togliere il dischetto.

CARATTERISTICHE

- Interfaccia E-IDE
- Tempo di accesso medio 75ms
- Compatibile con PC multimedia
- Supporto multisessione CD Photo
- Larghezza di banda CPU piccola (spec. MPC)
- Sistema di trasferimento dati 32x-speed
- Sistema intelligente di bufferizzazione dei dati
- Supporto audio ad alta fedeltà
- Caricamento da tray[vassoio] senza sistema caddy[carrello]
- Progettazione specifica per il montaggio interno
- Supporto per l'Espulsione di Emergenza
- Semplice supporto di comando a pulsante per il CD audio

REQUISITI DEL SISTEMA

PC IBM o compatibile con i seguenti componenti di sistema:

- 486SX compatibile IBM o quanto indicato sopra
- un minimo di 640K di memoria
- un drive per floppy disk (da 3,5 pollici)
- versione MS-DOS 3.1 o superiore

*** Accessori forniti:**

Nome	Quantità
Manuale Utente	1
Dischetto per l'Installazione	1
Cavo Audio	1
Scheda di Comando IDE	1 (Optional)
Cavo di Interfaccia	1 (Optional)

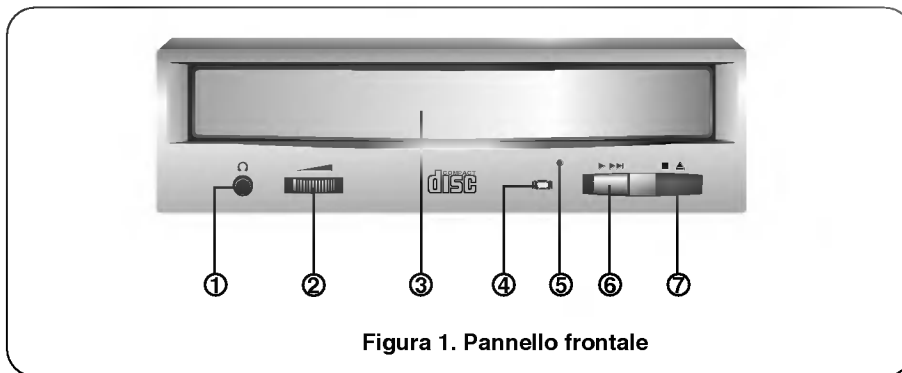


Figura 1. Pannello frontale

PANNELLO FRONTALE

- ① **Uscita cuffia**
jack da 3,5mm per il monitoraggio del segnale audio.
- ② **Comando di Regolazione del Volume della Cuffia.**
Regolazione del livello sonoro della cuffia.
- ③ **Cassetto del Dischetto**
Può ricevere nel suo tray un dischetto CD-ROM.
- ④ **Segnale di Occupato**
Il segnale di Occupato si accende durante l'inizializzazione e durante le operazioni di lettura dei dati.
- ⑤ **Foro per l'Espulsione di Emergenza**
Per l'espulsione manuale del cassetto, si inserisca un'asticciola in questo punto.
- ⑥ **Pulsante Play/Skip [Riproduzione/Salta]**
Quando il CD Audio si trova nel Cassetto dei Dischetti, l'attivazione di questo comando permetterà di avviare la riproduzione del CD Audio dalla prima pista in poi. Se il CD Audio sta riproducendo, l'attivazione di questo comando farà avanzare la riproduzione alla pista successiva del CD Audio.
- ⑦ **Pulsante Open/Close/Stop [Aperto/Chiuso/Stop]**
Questo pulsante dovrà essere premuto per ottenere l'apertura o la chiusura del tray del CD. Il pulsante funziona solamente quando il drive riceve corrente. Se il CD Audio sta riproducendo, lo si può fermare premendo questo pulsante.

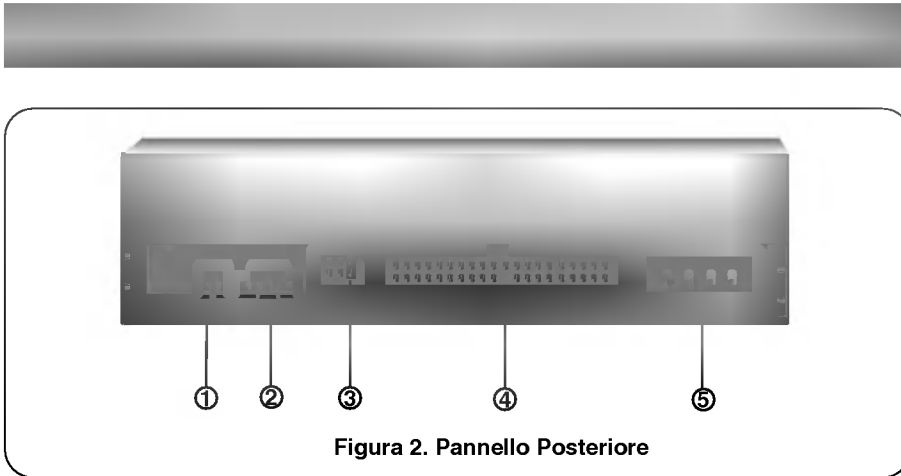


Figura 2. Pannello Posteriore

PANNELLO POSTERIORE

- ① Connettore Uscita Audio Digitale**
 Si tratta di un connettore per uscita audio digitale o di un connettore di uscita Video CD.
 Si può collegare tale connettore al sistema audio digitale o alla scheda Video CD.
- ② Connettore dell'Uscita Audio**
 Il Connettore dell'Uscita Audio é collegato con la scheda sonora.
- ③ Cavallotto Master/Slave/CSEL (Mastro/Schiavo/CSEL)**
 Questi tre cavallotti vengono usati per impostare il Drive CD-ROM come "Master", "Slave", oppure "CSEL".
 Si veda la sezione : "INSTALLAZIONE DELL'HARDWARE"
- ④ Connettore d'Interfaccia.**
 Questo connettore a 40 pin si usa per trasferire e gestire i segnali fra il Drive CD-ROM e il proprio PC.
 Si colleghi il cavo IDE a 40 pin del PC a tale connettore.
 Se si fa uso della scheda IDE secondaria, si colleghi tale connettore alla scheda IDE secondaria usando un altro cavo IDE a 40 pin.
- ⑤ Connettore per l'allacciamento elettrico**
 Si colleghi a questo connettore un cavo elettrico proveniente dal computer.

La presente sezione contiene istruzioni sul modo di installare il drive CD-ROM nel computer.

ATTENZIONE:

Per evitare danneggiamenti al drive CD-ROM, al computer e ai dispositivi periferici, si stacchi la corrente prima dell'installazione del drive.

IMPOSTAZIONE DEL CAVALLOTTI MASTER/SLAVE

- * Sul retro del Drive CD-ROM troverete tre cavallotti. Questi cavallotti servono per impostare il Drive CD-ROM su "CSEL", "MASTER" oppure "SLAVE". Quando viene tolto un cavallotto cortocircuitante [shorting] nella posizione "CS" (CSEL), il dispositivo usa per la sua configurazione della posizione di cavallotto "MA" (Master) oppure "SL" (Slave). Quando si inserisce il cavallotto "CS", l'apparecchio fa uso del segnale di interfaccia host CSEL per la sua configurazione. I cavallotti di configurazione dell'apparecchio dovranno essere accessibili dal retro del drive.



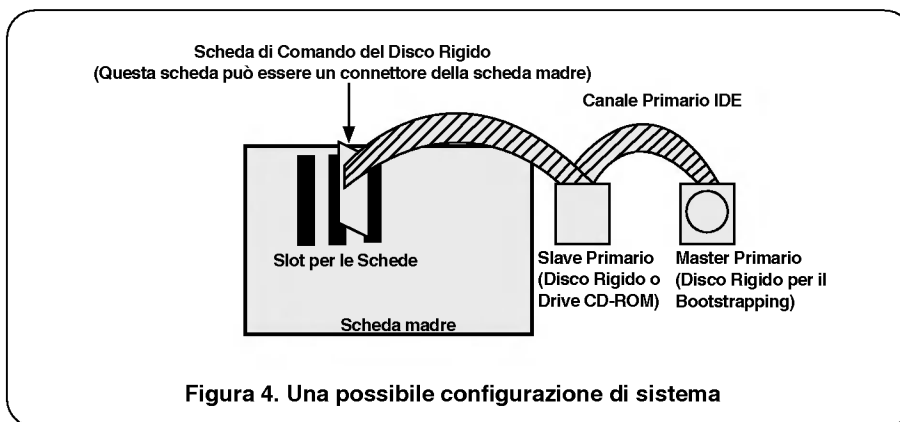
Figura 3. Cavallotto di Configurazione dell'Apparecchio

SE SI FA USO DI UN CONTROLLORE IDE PRIMARIO

La maggior parte dei PC forniscono un connettore IDE per il supporto di due dispositivi (uno per il disco rigido, l'altro per il disco rigido o per il Drive CD-ROM). Tale connettore IDE si trova o sulla scheda madre o su una scheda di comando.

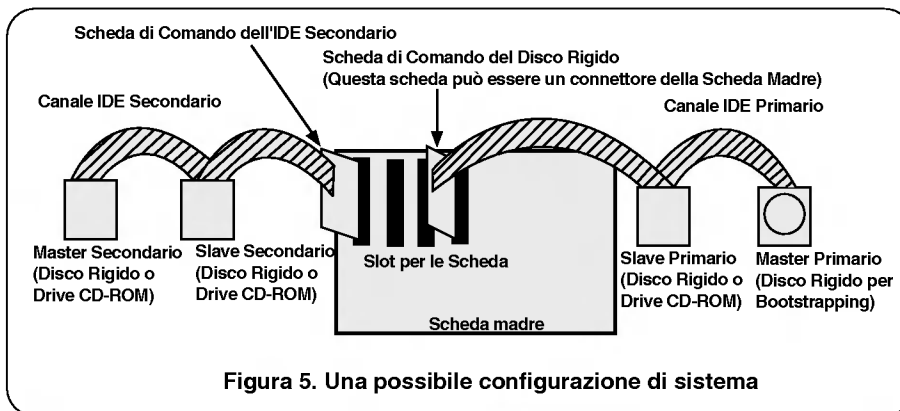
Questo è il connettore IDE primario.

In questo caso, il drive del disco rigido che contiene il sistema operativo per il bootstrapping [introduzione di una sequenza di chiamata] dovrà essere impostato in modo Master, e il Drive CD-ROM dovrà essere impostato in modo Slave.



SE SI FA USO DI UN CONTROLLORE IDE SECONDARIO

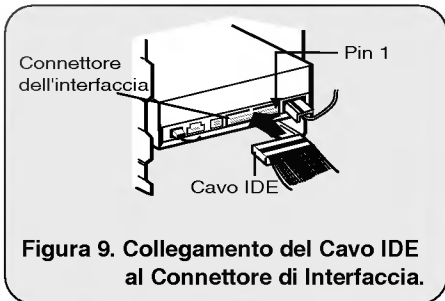
- * Se il PC dell'utente possiede un ulteriore controllore IDE secondario nella scheda madre oppure in uno slot del sistema, anche ciascun dispositivo IDE collegato al controllore IDE secondario dovrà essere impostato in modo Master o Slave.
In questo caso, il sistema dell'utente può supportare fino a quattro dispositivi: Master Primario, Slave Primario, Master Secondario e Slave Secondario.
- * Il Master Primario dovrà essere il disco rigido che contiene il sistema operativo per il bootstrapping.
Infine, il Drive CD-ROM potrà essere Slave primario, Master Secondario oppure Slave Secondario, e potrà essere impostato configurando il cavallotto sul retro del Drive CD-ROM. Se il Drive CD-ROM è collegato alla porta secondaria come slave, il dispositivo master (disco rigido o un altro CD-ROM IDE) dovrà essere presente in quella porta.



ATTENZIONE:

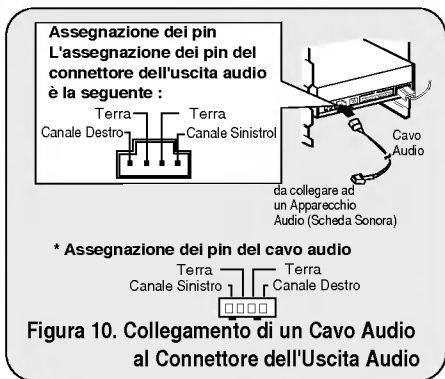
Se il sistema dell'utente ha due canali IDE (nel caso di PC IDE arricchito), non si installi nel proprio sistema la scheda di comando IDE secondaria.

MODO	CONTROLLORE IDE	IMPOSTAZIONE DEL CAVALLOTTO
Slave Primario	Controllore Primario	Cavallotto Slave Coperto
Master Secondario	Controllore Secondario	Cavallotto Master Coperto
Slave Secondario	Controllore Secondario	Cavallotto Slave Coperto
Usare Csel		Usare il Cavallotto Csel Coperto

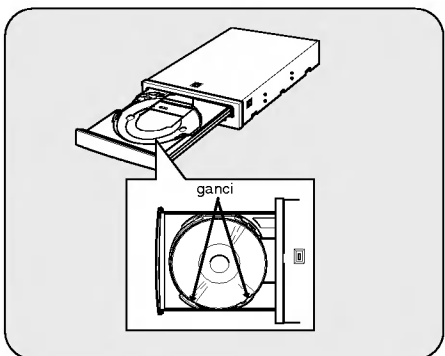


6. Collegare il Cavo IDE a 40 pin al retro del Drive CD-ROM. Ci si assicuri che l'estremità rossa del Cavo IDE sia collegata al Pin 1 del Drive CD-ROM.

COLLEGAMENTO DI UN CAVO AUDIO



Se si desidera collegare al Drive CD-ROM un apparecchio audio oppure una scheda sonora, si usi un cavo audio per collegare il drive al dispositivo sonoro.



Nota: Questo lettore di CD-ROM può essere usato in posizione verticale.

- Per usare il lettore in posizione verticale, aprire il caricatore e mettere il disco fra i tre ganci.
- Non si può usare in verticale un disco da 8cm. Non toccare il lato non etichettato del dischetto.

IL PROCEDIMENTO SET-UP [PREDISPOSIZIONE]

Il programma INSTALL svolge le seguenti funzioni:

- * Permette all'utente di selezionare il disk drive di destinazione in cui saranno impostati i file del driver del dispositivo CD - ROM Drive.
- * A meno che non sia modificato dall'utente, il programma INSTALL cerca il disco destinazione per la directory (\CDROM), e, se non la trova, crea la directory (\CDROM).
- * Copia il file del driver del dispositivo CD - ROM Drive di nome "GSCDROM.SYS", il file Microsoft di Estensione CD-ROM di nome "MSCDEX.EXE", e i file utility nella directory specificata.
- * Modifica il file CONFIG.SYS dell'utente aggiungendo nell'elenco la posizione e il nome del driver del dispositivo.
- * Modifica il file AUTOEXEC.BAT dell'utente in maniera che carichi MSCDEX.
- * Termina le operazioni e restituisce il comando all'utente

ELENCO DEI FILE DA INSTALLARE NEL PC DELL'UTENTE

- * **MSCDEX.EXE** Software Microsoft di Estensione MS.DOS CD-ROM, che permette al computer di accedere al drive CD-ROM.
- * **GSCDROM.SYS** Driver del dispositivo CD-ROM.
- * **EJECT.EXE** Programma di espulsione del software che può espellere il tray del CD.
- * **CLOSE.EXE** Programma di chiusura del software che può chiudere il tray del CD.
- * **LOCK.EXE** Programma che disabilita il Pulsante Eject [di Espulsione]. Il Pulsante Eject non funziona nello condizione bloccata "locked". La funzione lock è utile quando si usa il Drive CD-ROM per lavori importanti.
- * **UNLOCK.EXE** Programma che abilita il Pulsante Eject. Il Pulsante Eject funziona correttamente dopo l'esecuzione del programma di sblocco "unlock".

ESECUZIONE DEL PROGRAMMA INSTALL (Versione MS-DOS)

1. Inserire il dischetto di installazione del driver del dispositivo CD-ROM Drive nel drive appropriato.
2. Attivare il drive dei floppy disk digitando A: oppure B: secondo il caso, su richiesta del DOS.
3. Digitare la parola INSTALL e premere "ENTER(INVIO)"
4. Il programma INSTALL comincerà a caricare. Alla fine dell'operazione, l'identificativo del programma INSTALL apparirà sullo schermo.
5. Seguire le istruzioni che appariranno sullo schermo.
6. Se si specificheranno le informazioni sul percorso durante l'installazione, il programma di installazione copierà il file del driver del dispositivo CD-ROM Drive denominato "GSCDROM.SYS", il file Microsoft di Estensione CD-ROM denominato "MSCDEX.EXE" e i file utility nella directory specificata, e modificherà automaticamente i file CONFIG.SYS, AUTOEXEC.BAT.
7. Ad installazione ultimata, l'utente dovrà rifare il bootstrapping del proprio PC.

OPZIONI MSCDEX.EXE DEL PROGRAMMA DI ESTENSIONE CD-ROM

Sono queste diverse opzioni che devono essere impostate per il programma Microsoft di Estensione CD .

Tali opzioni sono descritte qui di seguito:

PARAMETRO	DESCRIZIONE
/D(Nome del Dispositivo)	Dice a MSCDEX.EXE il nome del driver del dispositivo (deve essere lo stesso di quello usato nell'espressione "D:" della riga "DEVICE=" del file CONFIG.SYS).
/E	Dice a MSCDEX.EXE di usare la memoria espansa.
/L:(Nome del Dispositivo)	Indica la lettera drive da assegnare al driver CD-ROM.
/M: (Valore)	Dice a MSCDEX.EXE quanta memoria deve essere assegnata al caching [memoria nascosta]. Il valore usato per difetto è 10 (che rappresenta 10kilobyte).
/V	Fornisce statistiche d'uso della memoria, come quanta memoria è usata dai buffer, dai dati residenti e dal codice residente.

ATAPI INSTALLAZIONE (WINDOWS '95, ALTRI)

Per l'installazione del CD ROM drive in ambiente windows '95, **non usare** il driver contenuto nel floppy disk "MS-DOS CD-ROM EXTENTIONS WITH DEVICE DRIVERS".

Questo CD ROM drive è **compatibile con Windows '95, Windows NT 3.5 e OS/2 Warp**, utilizzando generalmente il driver supportato dai sistemi di cui sopra come per l'esempio successivo di Windows '95.

Per altri sistemi operativi quando è disponibile utilizzate i driver IDE CD-ROM della LG Electronics o GoldStar altrimenti selezionate IDE CD-ROM non in elenco.

(Per Windows '95)

1. Installare il CD ROM drive nel computer seguendo le istruzioni del manuale.
2. Accendere il computer. Durante la fase di avviamento di Windows '95, automaticamente potrebbe identificare il CD-ROM e caricare il driver, altrimenti procedere con le istruzioni.
3. Quando siete entrati in Windows '95 fare click sul pulsante di start, quindi su quello di **configurazione** (Setting). Fare **click sul pannello di controllo** e quindi **doppio click sull'icona Aggiungere Nuovo Hardware**. Seguire le istruzioni del software e **definire il driver generico**.

RICERCA DEGLI ERRORI

* Quando il Drive CD-ROM non funziona con il drive del disco Rigido nel canale primario IDE I/O:

- (SOLUZIONE)
1. Si verifichi l'impostazione dei Cavallotti Mater/Slave del Drive CD-ROM.
 2. Si verifichi che l'Interfaccia del proprio disco rigido sia del tipo IDE.
 3. Si verifichi l'impostazione dei Cavallotti Master/Slave del proprio disco rigido. Alcuni dischi rigidi del tipo IDE vecchia versione erano per lo più impostati in modo Master Only (Solo Master).
In tal caso, contattare il proprio fornitore del disco rigido e cambiare l'impostazione dei cavallotti del disco rigido in modo Master.
 4. Se il Drive CD-ROM non funziona in nessuno dei modi sovradescritti, è necessaria la scheda IDE secondaria. Se la scheda IDE secondaria è in uso, sarà necessario impostare il Drive CD-ROM in modo Master.

* Quando il lettore di CD-ROM non installa OS/2 Warp.

(SOLUZIONE) 1. Selezionare "NON LISTED IDE CD" (Letteri IDE non in elenco).

ATTENZIONE:

1. Se si desidera aggiungere la riga del comando WIN o DOSSHELL in AUTOEXEC.BAT, ci si assicuri che la riga del comando MSCDEX.EXE appaia prima della riga del comando WIN oppure DOSSHELL.

GENERALITÀ

Capacità di Dati	553Mbyte (modo 1), 635 Mbyte (modo 2)
Diametro del Disco	12 cm/8 cm
Velocità di Rotazione	7,000 giri al minuto

CARATTERISTICHE

Interfaccia	E-IDE
Systema supportato	IBM PC-AT o Compatibile
Velocità di trasferimento	Velocità di trasferimento dati sostenuta =Massimo 4800 Kbyte/sec
Tempo di accesso	Media di 75 ms (Random)
MTBF	125,000 Ore di Accensione (Ciclo di servizio 10%)
Dimensione del buffer	128 Kbyte
Logico supportato	
Lunghezza del Blocco	2,048 byte/blocco (Mode 1 & Mode 2 Form 1) 2,340, 2,336 byte/blocco (Mode 2) 2,324 byte/blocco (Mode 2 Form 2) 2,352 byte/blocco (CD-DA)
Formati riconosciuti	CD-DA, CD-ROM, CD-ROM XA-READY, Photo-CD CD-Plus/CD-Extra, CD-RW

SPECIFICHE AUDIO

Risposta Frequenza	20 Hz - 20 kHz ± 3 dB
Gamma dinamica	80 dB
Rapporto S/N	85 dB
THD	0.05% a 1 KHz
Separazione dei Canali	75 dB a 1 KHz
Livello Cuffia	0.60 Vrms (33 Ω)
Livello Uscita Linea	0.60Vrms $\pm 10\%$ (47k Ω)
Jack Uscita Linea	Terminale a 4 pin (Rear)
Jack Cuffia	\varnothing 3.5mm (Davanti)

AMBIENTE

Temperatura	5 - 45 °C
-------------	-----------

REQUISITI DI POTENZA

12 V $\pm 5\%$	0.7A (Massimo)
Ondulazione < 100m Vpp	
5 V $\pm 5\%$	1.2A (Massimo)
Ondulazione < 100m Vpp	

NOTA: Le suddette specifiche possono variare senza preavviso a causa dei miglioramenti apportati al materiale.

UNIDAD CD-ROM

Para disfrutar de todas las posibilidades y funciones de su unidad CD-ROM, lea este manual de usuario atentamente.

PRECAUCION: PARA REDUCIR EL RIESGO DE DESCARGA ELECTRICA NO RETIRE LA TAPA. SOLO SE PERMITE LA REPARACION A PERSONAL CUALIFICADO.

El láser utilizado en el CD-ROM puede dañar sus ojos. No intente abrir la tapa.

Esta unidad CD-ROM utiliza discos CD-ROM marcados con este simbolo:



ADVERTENCIA: Para reducir el riesgo de incendio o descarga eléctrica, no exponga este aparato a la lluvia o la humedad.

INSTALACION, USO Y PRECAUCIONES DE MANEJO

■ Instalación

Evite colocar esta unidad en lugares expuestos a:

- alta humedad
- altas temperaturas
- vibraciones mecánicas
- luz solar directa

■ Operación

- Durante la operación, la vibración excesiva o movimiento brusco puede causar un mal funcionamiento.
- Evite la exposición a cambios repentinos de temperatura, esto puede causar una condensación dentro de la unidad.

■ Transporte

- Retire siempre el disco antes de mover la unidad.



CARACTERISTICAS

- Interface E-IDE.
- Tiempo medio de acceso de 75ms.
- Compatible con PC multimedia.
- Soporta Photo CD Multisesión.
- Ancho de banda de CPU pequeño (MPC espec.)
- Sistema de transferencia de datos de 32x velocidad
- Sistema de buffer de datos inteligente.
- Soporta audio de alta fidelidad.
- Bandeja de carga sin sistema caddy.
- Diseñado para montaje interno.
- Incorpora expulsión de emergencia.
- Incorpora mandos para un control fácil de CD Audio

REQUISITOS DEL SISTEMA

- IBM compatible 486SX o superior
- Un mínimo de memoria de 640Kb.
- Disquetera de 3.5.
- Versión de MS-DOS 3.1 o superior.

ACCESORIOS SUPLEMENTARIOS :

Nombre	Cantidad
Manual de usuario	1
Diskette instalación	1
Cable audio	1

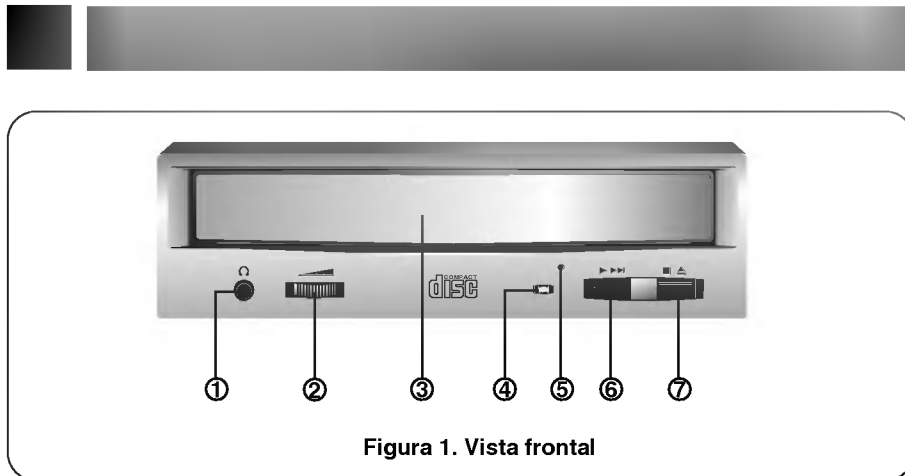
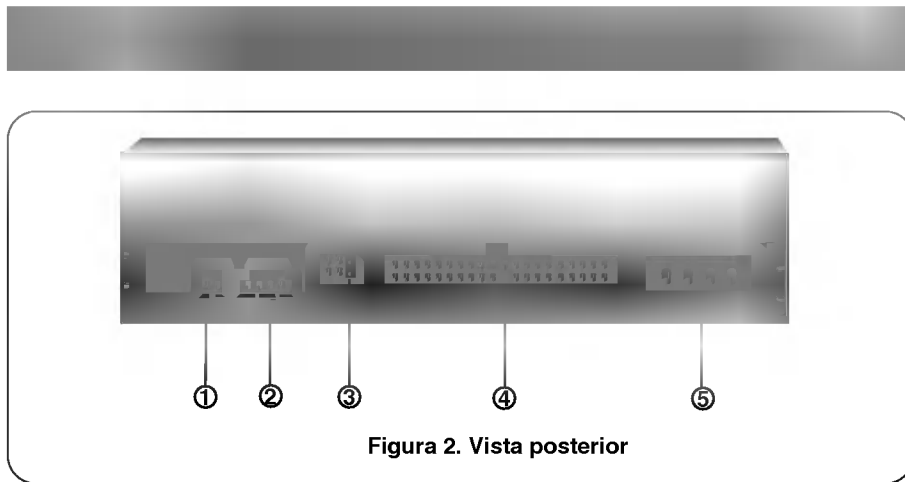


Figura 1. Vista frontal

VISTA FRONTAL

- ① **Conector para auriculares de audio**
Jack de 3,5mm para monitorizar la señal de audio.
- ② **Control de volumen de auriculares.**
Ajusta el nivel de sonido de los auriculares.
- ③ **Bandeja de disco**
Acepta un disco CD-ROM.
- ④ **Indicador de trabajo**
El indicador de trabajo luce durante la inicialización y las operaciones de lectura de datos.
- ⑤ **Orificio de expulsión de emergencia.**
Inserte un alambre para expulsar manualmente la bandeja.
- ⑥ **Botón de reproducción/avance**
Una vez introducido un Audio CD pulsando este botón se empezará a reproducir el Audio CD desde la primera pista. Pulsando este botón de nuevo se posicionará al inicio de la siguiente pista.
- ⑦ **Botón de apertura/cierre**
Se presiona este botón para abrir o cerrar la bandeja.
Este botón solo funciona cuando la unidad está alimentada.



VISTA POSTERIOR

- ① **Conector de salida de audio digital.**
Es un conector de salida de audio digital o de video CD. Puede enchufar este conector a su sistema de audio digital o a su tarjeta de video CD.
- ② **Conector de salida de audio**
El conector de salida de audio se conecta a la tarjeta de sonido.
- ③ **Puente Maestro/Esclavo/CSEL**
Estos 3 puentes son para la configuración de la unidad CD-ROM como Maestro, Esclavo o CSEL.
Ver sección "INSTALACION DEL HARDWARE"
- ④ **Conector de interface**
Este conector de 40 pines se utiliza para transferir y controlar las señales entre la unidad CD-ROM y el PC.
Conecte el cable IDE de 40 pines del PC a este conector.
Si utiliza una tarjeta IDE secundaria, conecte este conector a la tarjeta secundaria usando otro cable de 40 pines IDE.
Ver sección "INSTALACION DEL HARDWARE"
- ⑤ **Conector de alimentación**
Conecte un cable de alimentación desde el ordenador a este conector.



Esta sección describe como instalar su unidad CD-ROM en su ordenador.

AVISO:

Para proteger de posibles daños a la unidad CD-ROM, a su ordenador y a dispositivos periféricos, desconecte la alimentación antes de instalar la unidad.

SELECCIÓN MAESTRO/ESCLAVO

- * Existen 3 puentes en la parte posterior de la unidad CD-ROM. Estos puentes son utilizados para seleccionar el modo de la unidad como "CSEL", "MAESTRO" o "ESCLAVO". Si se retira el puente de la posición "CS"(CSEL), el dispositivo debe configurarse en la posición "MA"(maestro) o "SL"(esclavo). Si se configura el puente "CS", el dispositivo debe utilizar la señal CSEL del interface IDE para configurar el dispositivo. Los puentes de configuración del dispositivo son accesibles desde la parte posterior de la unidad.

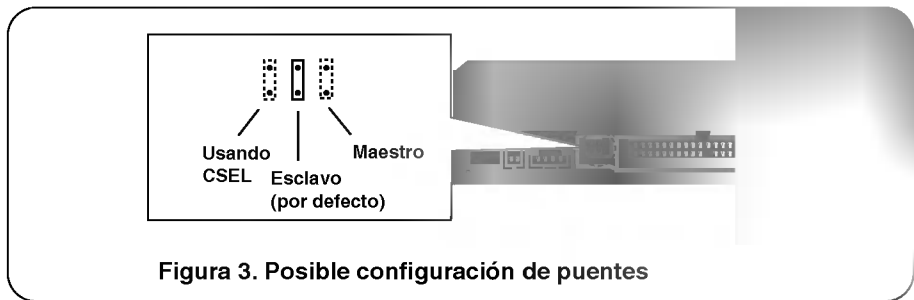
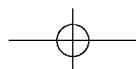


Figura 3. Posible configuración de puentes





CUANDO SÓLO SE UTILIZA UNA ÚNICA CONTROLADORA IDE

La mayoría de los PCs incorporan un conector IDE para soportar dos dispositivos (uno para el disco duro, el otro para un segundo disco duro o una unidad CD-ROM). Este conector IDE se encuentra en la placa base o en una tarjeta controladora. Esto es lo que se denomina controlador IDE primario. En este caso, el disco duro que contiene el sistema operativo para el arranque tiene que estar en modo Maestro, y su unidad CD-ROM debería estar en modo Esclavo.

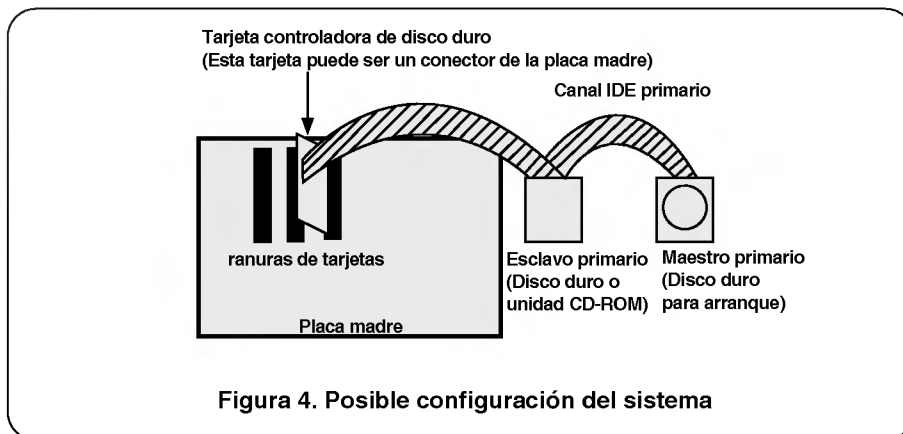
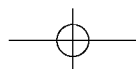


Figura 4. Posible configuración del sistema



CUANDO SE UTILIZA UNA SEGUNDA CONTROLADORA IDE

- * Si su PC tiene una controladora IDE adicional en la placa base o en un slot del sistema, cualquier dispositivo IDE conectado a esta controladora IDE secundaria debe configurarse también como modo Maestro o modo Esclavo. En este caso, su sistema puede soportar hasta cuatro dispositivos: Maestro Primario, Esclavo Primario, Maestro Secundario y Esclavo Secundario.
- * El maestro primario tiene que ser el disco duro que contenga el sistema operativo de arranque. Finalmente, su unidad CD-ROM puede configurarse como Esclavo Primario, Maestro Secundario o Esclavo Secundario, ajustando los puentes situados en la parte posterior de la unidad. Para configurar el CD-ROM como Esclavo Secundario, el dispositivo maestro de esa controladora debe estar conectado.

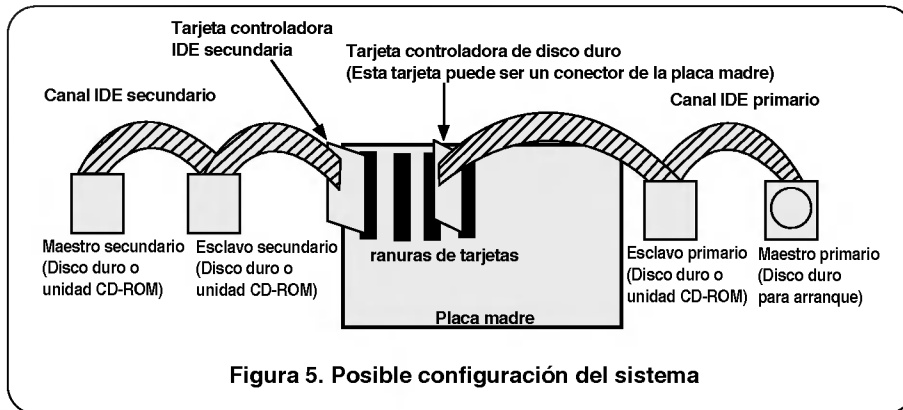


Figura 5. Posible configuración del sistema

AVISO:

Si Ud. tiene el sistema con dos canales IDE (en el caso de que el PC disponga de E-IDE), no instale otra tarjeta controladora IDE secundaria en su sistema).

MODO	CONTROLADORA IDE	PUENTES
Esclavo primario	Controladora primaria	Puente esclavo cerrado
Maestro secundario	Controladora secundaria	Puente maestro cerrado
Esclavo secundario	Controladora secundaria	Puente esclavo cerrado
Usando CSEL		Puente CSEL cerrado

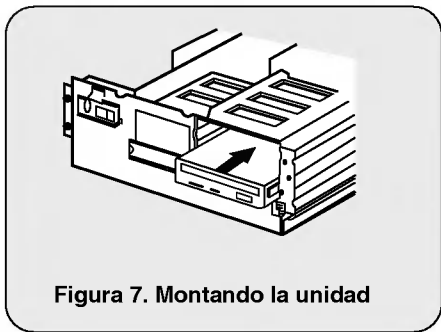
MONTAJE DE LA UNIDAD CD-ROM



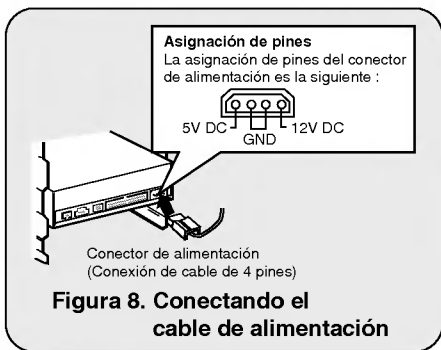
Paso 1. Apague y desenchufe su ordenador y todos los periféricos conectados.

Paso 2. Retire la tapa del ordenador.

Paso 3. Retire de la parte frontal del ordenador la cubierta de un hueco de media altura sin utilizar.



Paso 4. Inserte la unidad CD-ROM en un hueco de media altura, y asegure la unidad atornillándola.



Paso 5. Conecte el cable de alimentación firmemente en el conector de alimentación.

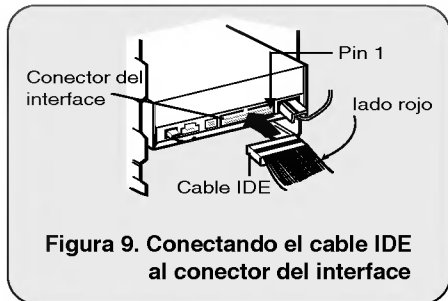


Figura 9. Conectando el cable IDE al conector del interface

Paso 6. Conecte el cable IDE de 40 pines en la parte posterior de la unidad CD-ROM. Por favor, asegúrese de que el lado rojo del cable IDE esté conectado al pin 1 de la unidad CD-ROM.

Nota: Generalmente sólo hay un modo posible de conectar el cable.

CONECTANDO EL CABLE DE AUDIO

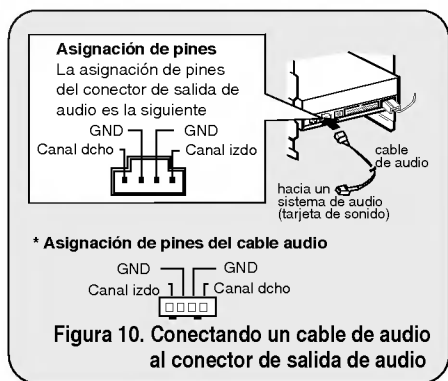


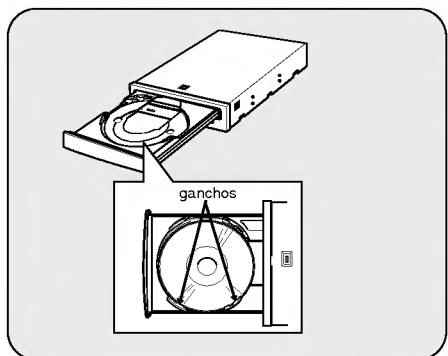
Figura 10. Conectando un cable de audio al conector de salida de audio

Si desea conectar un equipo de audio o una tarjeta de sonido a la unidad CD-ROM, use el cable de audio para conectar la unidad al dispositivo de sonido.

Nota: Este CD-ROM puede ser utilizado en posición vertical.

- Para utilizar CD-ROM verticalmente, abra el cajón y ponga un disco en los tres ganchos.
- No puede usar discos de 8cm en posición vertical.

Asegúrese de colocar el disco en la posición adecuada



PROCESO DE CONFIGURACIÓN

El programa INSTALL realiza las siguientes funciones.

- * Permite al usuario seleccionar la unidad de disco destino en donde se instalarán los archivos gestores del dispositivo CD - ROM.
- * A menos que sea modificado por el usuario, el programa INSTALL buscará el directorio (\CDROM), y si no existe dicho directorio será creado.
- * Copia el archivo gestor del dispositivo CD - ROM llamado "GSCDROM.SYS", el archivo de extensiones CD-ROM de Microsoft llamado "MSCDEX.EXE" y los archivos de utilidades en el directorio especificado.
- * Modifica su archivo CONFIG.SYS para especificar la localización y el nombre del gestor del dispositivo.
- * Modifica su archivo AUTOEXEC.BAT para cargar el MSCDEX.
- * Termina y devuelve el control al usuario.

LISTA DE ARCHIVOS QUE SERÁN INSTALADOS EN SU PC

- * **MSCDEX.EXE** Software de extensiones CD-ROM para Microsoft MS-DOS, el cual habilita al ordenador para acceder a la unidad CD-ROM.
- * **GSCDROM.SYS** Gestor del dispositivo CD-ROM.
- * **EJECT.EXE** Programa que permite abrir la bandeja del CD por software.
- * **CLOSE.EXE** Programa que permite cerrar la bandeja del CD por software.
- * **LOCK.EXE** Programa que desactiva el botón de apertura.
La función lock es usada generalmente cuando se esta realizando un trabajo importante.
- * **UNLOCK.EXE** Programa que activa el botón de apertura.

EJECUCIÓN DEL PROGRAMA INSTALL

Paso 1. Inserte el disquete de instalación del gestor del dispositivo CD - ROM en la unidad correspondiente.

Paso 2. Cambiense a la unidad A: o B: en el indicador del DOS.

Paso 3. Escriba la palabra INSTALL y pulse [ENTER].

Paso 4. El programa INSTALL comenzará a cargarse. Cuando esté totalmente cargado la identificación del programa INSTALL aparecerá en la pantalla.

Paso 5. Siga las instrucciones de la pantalla.

Paso 6. Si especifica durante la instalación el directorio de destino, el programa install copiará el archivo gestor del dispositivo CD-ROM llamado GSCDROM.SYS, el archivo MSCDEX.EXE de Microsoft CD-ROM Extension y los archivos de utilidad al directorio especificado, modificando así el archivo CONFIG.SYS y el AUTOEXEC.BAT.

Paso 7. Cuando la instalación esté completada, retire el disquete y vuelva a arrancar su equipo.

OPCIONES DEL PROGRAMA DE EXTENSIONES MSCDEX.EXE

Existen varias opciones de configuración para el programa de extensiones CD de Microsoft.

Estas opciones se explican seguidamente:

PARAMETRO	DESCRIPCION
/ D (nombre dispositivo)	Le comunica a MSCDEX.EXE el nombre del gestor del dispositivo (tiene que ser el mismo que fue utilizado en la expresión "\D:" de la línea "DEVICE=" en el archivo CONFIG.SYS)
/ E	Usar memoria expandida por MSCDEX.EXE
/ L: (nombre dispositivo)	Indica la letra de unidad que se asignará a la unidad CD-ROM
/ M: (valor)	Le comunica a MSCDEX.EXE cuanta memoria puede usar para caché. Por defecto es 10 (que representa 10 KB)
/ V	Suministra estadísticas del uso de la memoria, tal como cuanta memoria es usada por los buffers, los datos residentes y el código residente.

PROBLEMAS

* Cuando la unidad CD-ROM no funciona con el disco duro en el canal primario IDE.

(SOLUCION) 1. Compruebe los puentes Maestro/Esclavo de la unidad CD-ROM.
El CD-ROM debe estar configurado en modo Esclavo.

2. Compruebe que el interface del disco duro sea tipo IDE.

3. Compruebe los puentes Maestro/Esclavo del disco duro.
Algunas versiones antiguas de discos duros de tipo IDE estan configurados en modo Maestro Único, la mayoría de las veces.
En ese caso póngase en contacto con el suministrador del disco duro y cambie el puente del disco duro a modo maestro.

4. Si la unidad CD-ROM sigue sin funcionar con las soluciones anteriores, puede que necesite una tarjeta IDE secundaria. Si utiliza una tarjeta IDE secundaria recuerde configurar el puente de la unidad CD-ROM en modo Maestro, si la unidad CD-ROM es el primer dispositivo que tiene conectado a la tarjeta IDE secundaria.

* Cuando OS/2 Warp no reconozca el lector CD-ROM:

(SOLUCION) 1. Seleccione "NON-LISTED IDE CD"

AVISO:

1. Cuando añada la línea de comando WIN o DOSSHELL en el AUTOEXEC. BAT, asegúrese que la línea de comando MSCDEX.EXE aparece antes que la línea de comando WIN o DOSSHELL.

GENERAL

Capacidad de datos	553 Mbyte (modo 1), 635 Mbyte (modo 2)
Diametro del disco	12 cm / 8 cm
Velocidad de rotación	7000 rpm

CARACTERÍSTICAS

Interface	E-IDE
Sistema soportado	IBM PC-AT o compatible
Velocidad transferencia	Transferencia sostenida de datos = Max 4800Kbytes/seg
Tiempo de acceso	75 ms de media (Random)
MTBF	125000 horas (10% de ocupación)
Tamaño buffer	128 Kbytes
Datos usuario/bloque	2048 bytes/bloque (Modo 1 & Modo 2 Forma 1) 2340, 2336, bytes/bloque (Modo 2) 2324 bytes/bloque (Modo 2 Forma 2) 2352 bytes/bloque (CD-DA)
Discos soportados	CD-DA, CD-ROM, CD-ROM XA-READY, Photo-CD CD-Plus/CD-Extra, CD-RW

ESPECIFICACIONES DE AUDIO

Respuesta frecuencia	20 Hz - 20 kHz ± 3 dB
Rango dinámico	80 dB
Ratio señal/ruido	85 dB
THD	0,05 % a 1 KHz
Separación canales	75 dB a 1 KHz
Nivel auriculares	0.60 Vrms (33 Ω)
Nivel salida línea	0.60 Vrms $\pm 10\%$ (47k Ω)
Jack salida línea	Terminal de 4 pines
Jack auriculares	\varnothing 3.5 mm (frontal)

ENTORNO

Temperatura	5 - 45 °C
-------------	-----------

REQUISITOS DE ALIMENTACIÓN

12 V $\pm 5\%$	0.7A (máximo)
Rizo < 100m Vpp	
5 V $\pm 5\%$	1.2A (máximo)
Rizo < 100m Vpp	

NOTA: Las especificaciones están sujetas a posibles cambios sin previo aviso.