

Acer V30-2 Motherboard

[Home](#)
[What's New](#)
[Contact Us](#)

Search the Site

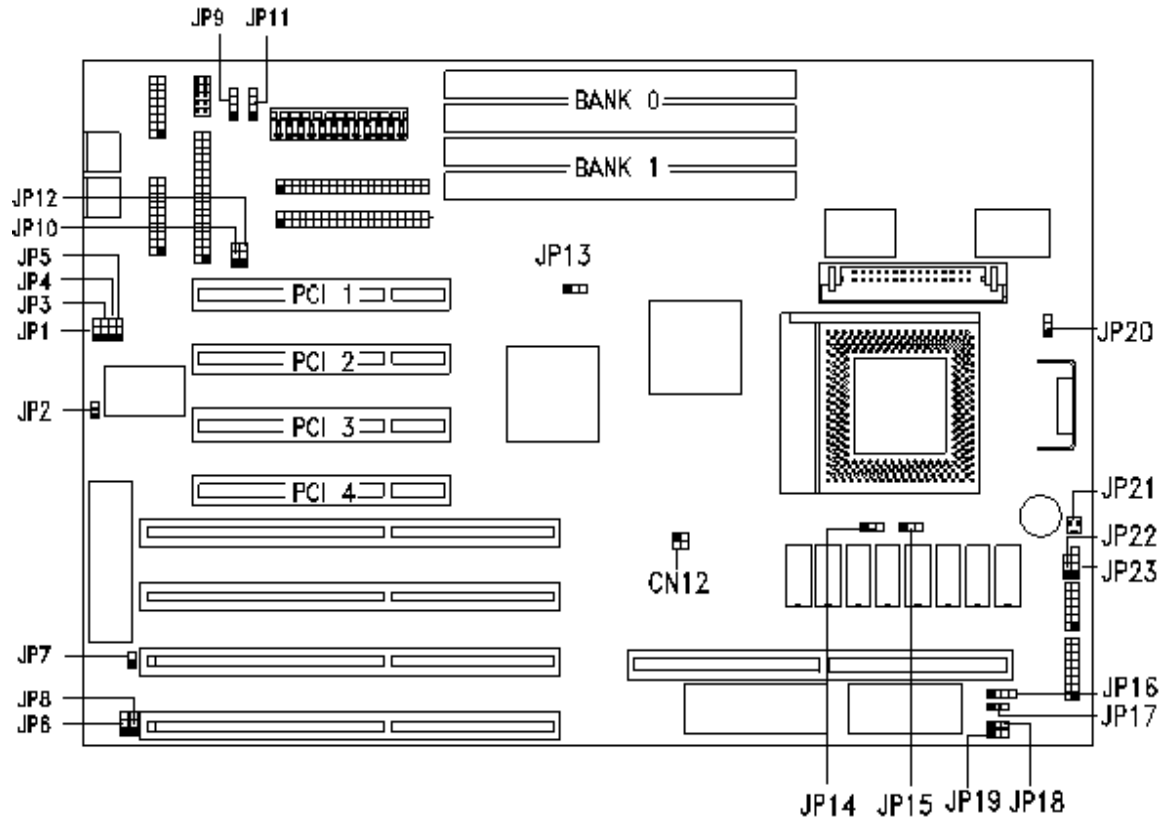
Find

powered by
FreeFind

[Acer](#)
[Advent](#)
[Amstrad](#)
[Apple](#)
[Canon](#)
[Compaq](#)
[CTX](#)
[Epson](#)
[Hewlett Packard](#)
[Mitsubishi/Apricot](#)
[Packard Bell](#)
[Other Manufact.](#)

[File Extensions](#)
[Humour](#)
[Links](#)
[Microsoft](#)
[Reference](#)
[Scanner Support](#)

Jumper and Connector Layout



CPU Jumper Settings

CPU Freq.	JP13	JP14	JP15	CN12
75 MHz	1-2	1-2	1-2	1-3, 2-4
90 MHz	2-3	1-2	1-2	1-3
100 MHz	2-3	1-2	1-2	2-4
120 MHz	2-3	1-2	2-3	1-3
133 MHz	2-3	1-2	2-3	2-4
150 MHz	2-3	2-3	2-3	1-3
166 MHz	2-3	2-3	2-3	2-4

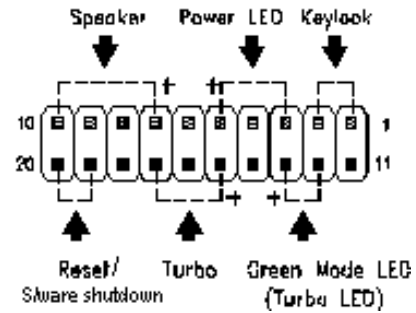
Jumper Settings

Jumper	Setting	Function
JP2	Open	Normal or standard function
	Closed	Enable ECP function
JP3*	1-2	DRQ3 (for parallel port)
	2-3	DRQ1 (for parallel port)
JP4*	1-2	DACK 3 (for parallel port)
	2-3	DACK 1 (for parallel port)
JP5	Open	Disable PS/2 mouse (IRQ12)
	Closed	Enable PS/2 mouse (IRQ12)
JP6	1-2	Enable SMC 665
	2-3	Disable SMC 665
JP7	1-2	Check password
	2-3	Bypass password
JP8	1-2	Acer BIOS
	2-3	OEM BIOS
JP15	1-2	Clear RTC
	2-3	Normal
JP20	1-2	VR or standard CPU (3.3V)
	2-3	VRE CPU (3.6V)
These jumpers must only use the settings shown		
JP1	Open	
JP9,JP11	Open	
JP10,JP12	1-2	
JP18	1-2	
JP19	Open	
JP22	Closed	

Connector Functions

Connector	Function
CN4	Serial port 2
CN5	Parallel port
CN6	Serial port 1
CN7	Diskette drive connector
CN9	Power connector
CN10	IDE connector 2
CN11	IDE connector 1
CN16	Multifunction connector
JP16	External battery connector
JP21	CPU fan connector

The multifunction connector CN16 accommodates the front panel connectors for speaker, LEDs, keylock, reset, and turbo. Figure below shows the pin assignments for each connector.



Memory

Module description : 72pin EDO 70ns Maximum : 128MB
