

Copyright Notice

© Copyright 1997 Ocean Office Automation Ltd.
All rights reserved.

Ocean Office Automation Ltd.
5th Floor, Kader Industrial Building,
22 Kai Cheung Road, Kowloon Bay,
Kowloon, Hong Kong.

All of the information contained in this manual is copyrighted and all rights reserved. No part of this document, in whole or in part, may be reproduced or copied in any form without prior consent in writing from Ocean Office Automation Ltd..

Limitations of Liability

While the information in this manual has been carefully reviewed and is believed to be accurate, Ocean Office Automation Ltd. (Ocean) assumes no responsibility in the event that any inaccuracies are found. In no event shall Ocean be held liable for any loss or expenses whether directly or indirectly caused by the support materials provided with this product. It is further acknowledged that Ocean is under no obligation to update the manual or to notify purchasers of any forthcoming updates.

Trademarks

Pentium and Intel are registered trademarks of Intel Corporation.
Cyrix is registered trademark of Cyrix International, Inc..
AMD is registered trademark of Advanced Micro Device Corporation.
Octek is a registered trademark of Ocean Office Automation Ltd.
XT, AT, PS/2, OS/2, & IBM are registered trademarks of International Business Machines Corporation.

All other brand and product names mentioned in this manual are trademarks or copyrights of their respective holders.

REVISION 2.0 August 1997

SYSTEM OVERVIEW 1

1.01 General Specifications Overview 1

HARDWARE INSTALLATION & UPGRADE 4

2.01 Layout of RHINO 15+ Main Board 4

2.02 CPU Related Settings 5

2.03 CPU Cooling Fan and Heatsink 6

2.04 Reset CMOS 7

2.05 Modem Ring 7

2.06 Voltage for DIMM Sockets 8

2.07 Connectors Pinout 8

MEMORY CONFIGURATION 10

3.01 SDRAM (Synchronous DRAM) / Fast Page mode / EDO DRAM
Installation 10

CMOS SETUP CONFIGURATION 11

4.01 CMOS Setup Utility 11

4.02 Standard CMOS Setup 12

4.03 BIOS Features Setup 13

4.04 Chipset Features Setup 16

4.05 Power Management Setup 18

4.06 PnP/PCI Configuration 18

4.07 Integrated Peripherals 21

4.08 Load Setup Defaults 22

4.09 Supervisor/ User Password 23

4.10 IDE HDD Auto Detection 23

4.11 Save and Exit Setup 24

4.12 Exit without Saving 24

JUMPER SETTING 25

SYSTEM OVERVIEW

1.01 General Specifications Overview

Processor:

- ◆ Processor Type Intel Pentium, Pentium with MMX, Cytrix/IBM 6x86/6x86L/6x86MX, AMD K5/K6
- ◆ External CPU Clock 55/60/66/75 MHz
- ◆ CPU Voltage Switching Voltage Regulator
- Support single/dual internal power planes

Chipset:

- ◆ Motherboard Chipset Intel's 430TX PCiset with I/O subsystems

Cache Architecture:

- ◆ External Cache 256K/512K Byte on-board Synchronous Pipeline Burst SRAM

Memory Subsystem:

- ◆ DRAM SIMM Sockets 4 x 72 pin 4MB/8MB/16MB/32MB/64MB modules
- ◆ SDRAM DIMM Sockets 2 x 168 pin 8MB/16MB/32MB/64MB/128MB Synchronous DRAM / EDO DRAM modules
- ◆ Max. Memory Size 256MB
- ◆ DRAM Type Fast Page Mode, EDO DRAM or Synchronous DRAM
- ◆ Enhancement Mix of Fast Page Mode, EDO DRAM or SDRAM supported

Input/Output Subsystem

- ◆ PCI Bus Slots 2 x 32-bit PCI bus slots (master)
- ◆ ISA Bus Slots 3 x 16-bit ISA slots
- ◆ Shared Bus Slots 1 x 32-bit PCI bus slot (master) or 1 x 16-bit ISA slot

Integrated IDE, Super I/O Subsystem

- ◆ IDE Support
 - Built-in PCI IDE controller
 - Two connectors supporting up to 4 IDE drives
 - Support Mode 3, 4 IDE, Ultra DMA-33 IDE, LS-120 floppy drive, Internal ZIP ATAPI drive & ATAPI CD-ROM.
- ◆ On Board I/O
 - One Floppy Port supporting 2 floppy drives of 360KB/720KB/1.2MB/1.44MB/2.88MB capacity.
 - Two Serial Ports (16550 Fast UART compatibles)
 - One Parallel Port (Standard, ECP, EPP supported)

PS/2 Mouse

- ◆ PS/2 Mouse
 - Supports PS/2 Mouse through a 1x4 header

Power Management

- ◆ Green Functions
 - Support various Power Management schemes
 - Power On Suspend
 - Suspend to RAM
 - Suspend to Disk

BIOS Subsystem

- ◆ BIOS Type
 - AWARD
 - Shadow RAM for System and Video BIOS
 - Built-in setup, Power-on self test, Drive table optimization, User-definable drive types, Password Protection and Shadowing options

Plug & Play / BIOS Update

- ◆ Plug & Play BIOS
 - Microsoft Windows95™ and Plug and Play BIOS compliant
- ◆ Flash EEPROM
 - Use Flash EEPROM (1M bits) to allow easy BIOS update

USB Devices

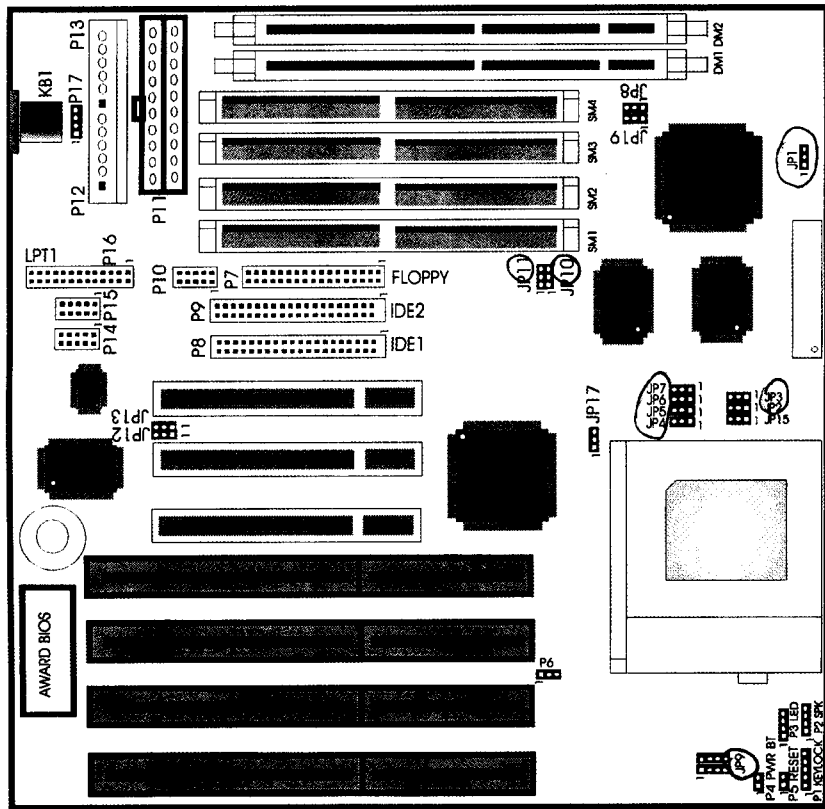
- ◆ USB Devices
 - USB v1.0 and Intel Universal HCI v1.0 compatible;
 - 2 programmable USB ports

Other Features

- ◆ 3.3V~3.5V Supply
- ◆ 2.0V~3.2V Supply
- ◆ Connectors
 - Maximum power : 41 W
 - On board 2.0V~3.2V supply supports MMX grade CPUs.
 - Reset, Keylock Switches, Speaker, HDD LED, Power LED, CPU Fan.
 - 8.5" x 9.0"
- ◆ Size
 - Remotely turn on the system through a modem (requires ATX power supply in soft-off status)
- ◆ Modem Ring on
 - Automatic fan off
 - Automatic power off when Windows 95 shutdown option selected (function with ATX power supply only)
- ◆ Fan Control
 - Wake up system
 - Support Power/ON switch when ATX power supply is plugged
 - Hold 4 sec. to turn off system (soft-off)
 - Switch system to power save mode
 - Support both AT and ATX power supply
- ◆ Auto Power off
- ◆ Power Button
 - Power Supply
 - ◆ ACPI Ready
 - ◆ PC'97 Compliant
 - ◆ DMI Support

HARDWARE INSTALLATION & UPGRADE

2.01 Layout of RHINO 15+ Main Board



2.02 CPU Related Settings

CPU Core Voltage Selection

RHINO 15+ supports Intel Pentium (P54C) & Pentium with MMX (P55C), AMD K5 & K6, Cyrix/IBM 6x86/6x86L/6x86MX. Both single & dual voltage CPUs are supported. For dual voltage CPUs JP4/5/6/7 must be set as 1-2 to separate the core voltage & I/O voltage. The voltage selection for core voltage is as follows :

CPU core voltage	JP9							JP4/5/6/7
	1-2	3-4	5-6	7-8				
3.5	ON	ON	ON	ON	ON	ON	ON	2-3*
3.4	ON	ON	ON	OFF	ON	ON	ON	
3.3*	ON	ON	ON	OFF	OFF	ON	ON	
3.2	ON	ON	ON	OFF	OFF	OFF	OFF	1-2
3.1	ON	OFF	ON	ON	ON	ON	ON	
3.0	ON	OFF	ON	ON	OFF	ON	OFF	
2.9	ON	OFF	OFF	OFF	ON	ON	ON	
2.8	ON	OFF	OFF	OFF	OFF	OFF	OFF	
2.7	OFF	ON	ON	ON	ON	ON	ON	
2.6	OFF	ON	ON	ON	ON	OFF	OFF	
2.5	OFF	ON	ON	ON	OFF	ON	ON	
2.4	OFF	ON	ON	OFF	OFF	OFF	OFF	
2.3	OFF	OFF	ON	ON	ON	ON	ON	
2.2	OFF	OFF	OFF	ON	ON	OFF	OFF	
2.1	OFF	OFF	OFF	OFF	OFF	OFF	ON	
2.0	OFF	OFF	OFF	OFF	OFF	OFF	OFF	

Be careful to select the appropriate Core voltage for different CPUs. Improper Core voltage supplied to CPU may result in "PERMANENT DAMAGE" to CPU!
 The Official Name of P55C is "Pentium Processor with MMX Technology".

CPU Type

JP1	JP2	JP3	JP15 (For AMD)	JP10	JP11 (Option)	CPU Clock	CPU TYPE
1-2	1-2	2-3	Open	1-2	1-2	55 MHz	Cyrix 6x86-P133+
1-2	1-2	1-2	Open	2-3	2-3	60 MHz	Intel P54C-90 *
1-2	1-2	2-3	Open	1-2	2-3		Intel P54C-120
1-2	2-3	2-3	Open	1-2	2-3		Intel P54C-150
1-2	2-3	1-2	Open	1-2	2-3		Intel P54C-180
1-2	1-2	2-3	Open	1-2	2-3		Cyrix 6x86-P150+
1-2	2-3	2-3	Open	1-2	2-3		Cyrix/IBM 6x86MX-PR166
1-2	1-2	1-2	Open	1-2	2-3		AMD K5-PR90
1-2	1-2	2-3	Open	1-2	2-3		AMD K5-PR120
1-2	2-3	2-3	Open	1-2	2-3		AMD K5-PR150
2-3	1-2	1-2	Open	2-3	2-3	66 MHz	Intel P54C-100
2-3	1-2	2-3	Open	2-3	2-3		Intel P54C-133
2-3	2-3	2-3	Open	2-3	2-3		Intel P54C-166
2-3	2-3	2-3	Open	2-3	2-3		Intel P55C-166
2-3	2-3	1-2	Open	2-3	2-3		Intel P54C-200
2-3	2-3	1-2	Open	2-3	2-3		Intel P55C-200
2-3	1-2	1-2	Open	2-3	2-3		Intel P55C-233
2-3	1-2	2-3	Open	2-3	2-3		Cyrix/IBM 6x86-P166+
2-3	1-2	2-3	Open	2-3	2-3		Cyrix/IBM 6x86L-P166+
2-3	2-3	2-3	Open	2-3	2-3		Cyrix 6x86MX-PR200
2-3	1-2	1-2	Open	2-3	2-3		AMD K5-PR100
2-3	1-2	1-2	Open	2-3	2-3		AMD K5-PR133
2-3	2-3	2-3	Open	2-3	2-3		AMD K5-PR166
2-3	2-3	2-3	Open	2-3	2-3		AMD K6/166
2-3	2-3	1-2	Open	2-3	2-3		AMD K6/200
2-3	1-2	1-2	Open	2-3	2-3		AMD K6/233
2-3	1-2	2-3	Open	2-3	1-2	75 MHz	Cyrix/IBM 6x86-P200+
2-3	2-3	2-3	Open	2-3	1-2		Cyrix/IBM 6x86MX-PR233

NOTE: All factory default settings are marked by "*".

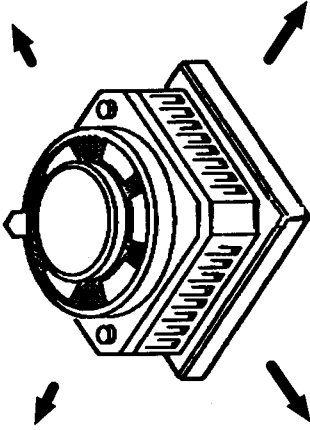
2.03 CPU Cooling Fan and Heatsink

Cooling Fan Connector (P6)

Pin No.	Pin Name
1	FAN GND
2	+12V
3	FAN GND

CPU cooling fan is inevitable to the functionality of high speed CPU. The higher the core frequency of CPU, the more heat will be generated. Poor ventilation of the CPU and the voltage regulator will cause overheating. Permanent damage to the motherboard or even damage to the CPU itself will result in the worst case.

Besides, the orientation of the CPU cooling fan can improve the ventilation of the motherboard in the case. The conduction of the airflow can enhance the cooling effect to the voltage regulator and onboard heatsink by continuously keeping the air-stream flows.



Important: Make sure the fins of the heating beneath the CPU cooling fan is pointed to the direction of the voltage regulator.

2.04 Reset CMOS

If the setting of the system setup is done improperly, it may make the system malfunction. If this happens, turn off the power and set jumper JP17 to 2-3 to clear the internal CMOS status register. Wait at least 5 seconds to ensure that the CMOS content has been completely cleared.

Next, set the jumper JP17 back to 1-2 and turn on the power. The BIOS will find the CMOS status register is reset and will regard the setup information invalid, so it will prompt you to correct the information.

2.05 Modem Ring

JP12	COM Port
1-2	COM 1
2-3*	COM 2

RHINO 15+ will detect Modem Ring Signal of COM Port to wake up system. Set JP12 to select which COM port to be monitored. To use this feature, "Resume by Ring" must be enabled in BIOS.

2.06 Voltage for DIMM

Sockets

	JP8, JP19
3.3V*	1-2
5V	2-3

2.07 Connectors Pinout

Power LED Connector (P1:1-3)

Pin No.	Pin Name
1	LED
2	NC
3	GND

Keylock Connector (P1:4-5)

Pin No.	Pin Name
4	KB LOCK
5	GND

Speaker Connector (P2)

Pin No.	Pin Name
1	SPK OUT
2	NC
3	GND
4	+5V

HD LED Connector (P3)

Pin No.	Pin Name
1	+5V
2	LED-
3	LED-
4	+5V

Power Button Connector (P4)

Pin No.	Pin Name
1	STB3V
2	PWR BT

Reset Connector (P5)

Pin No.	Pin Name
1	RESET
2	GND

PS/2 Mouse Connector (P17)

Pin No.	Pin Name
1	+5V
2	GND
3	DATA
4	CLK

AT Power Connector (P12-P13)

Pin No.	Pin Name
1	PWR GD
2	+5V
3	+12V
4	-12V
5	GND
6	GND
7	GND
8	GND
9	-5V
10	+5V
11	+5V
12	+5V

ATX Power Connector (P11)

Pin No.	Pin Name
1	+3.3V
2	+3.3V
3	GND
4	+5V
5	GND
6	+5V
7	GND
8	PWR GD
9	STB5V
10	+12V
11	+3.3V
12	-12V
13	GND
14	PWR ON
15	GND
16	GND
17	GND
18	-5V
19	+5V
20	+5V

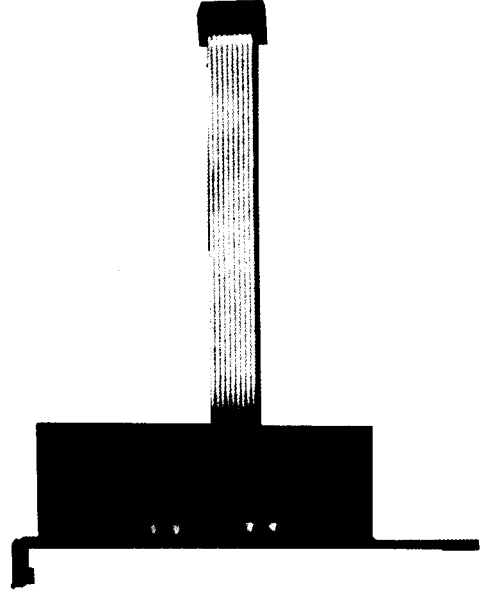
Keyboard Connector (KBI)

Pin No.	Pin Name
1	CLK
2	DATA
3	NC
4	GND
5	+5V

USB Connector (P10)

Pin No.	Pin Name
1	+5V
2	Port 0-
3	Port 0+
4	GND
5	NC
6	+5V
7	Port 1-
8	Port 1+
9	GND
10	NC

USB Module



MEMORY CONFIGURATION

3.01 SDRAM (Synchronous DRAM) / Fast Page mode / EDO DRAM Installation

There are four SIMM sockets and two DIMM sockets located on the Rhino 15+ motherboard, marked SM1, SM2, SM3, SM4 and DM1, DM2 which support EDO, Fast Page Mode DRAM and unbuffered Synchronous DRAM.

For SIMM Modules, either Single or Double sided memory module can be installed in pairs on each Memory Bank. For DIMM Modules, either Single or Double sided memory module can be installed. Please refer to the following tables.

RHINO 15+ supports up to 256MB memory. Either (SM1, 2, 3, 4 & DM2) or (SM1, 2 & DM1, 2) can be installed simultaneously, but the following table must be followed. Each SIMM can support 4MB, 8MB, 16MB, 32MB and 64MB, while each DIMM can support 8MB, 16MB, 32MB, 64MB and 128MB. Any combinations of SIMM and DIMM installed should not exceed the maximum memory size (256MB).

The memory installation can be combined as following:

SIMM/DIMM	Module Type	72-pin SIMM Memory Modules or 168-pin DIMM Memory Modules
SM 1 & 2	FPM/EDO SIMM	4MB, 8MB, 16MB, 32MB, 64MB DM1 & DM2 cannot be 64MB or 128MB
SM 3 & 4	FPM/EDO SIMM	4MB, 8MB, 16MB, 32MB, 64MB DM1 cannot be used
DM 1	SDRAM/EDO DIMM	8MB, 16MB, 32MB: SM 3 & 4 cannot be used 64MB, 128MB: SM 1, 2, 3 & 4 cannot be used
DM 2	SDRAM/EDO DIMM	8MB, 16MB, 32MB 64MB, 128MB: SM 1 & 2 cannot be used
	Total Memory	Maximum: 256MB

NOTE:

- DM1 and SM 3, 4 share the same memory rows and cannot be used at the same time.
- For DM 1 & 2, if 64Mbit SDRAM is used, SM 1 & 2 must be empty.
- Both SDRAM and EDO DIMM modules can be used on RHINO 15+. System BIOS will automatically detect the memory type and size.

☛ To use 3.3V SDRAM module, make sure to set JP8 & JP19 to 1-2 for 3.3V supply. It is not recommended to mix 3.3V module with 5V module at the same time.

CMOS SETUP CONFIGURATION

BIOS Setup

Award's BIOS provides a built-in Setup utility for specifying the basic system configuration and hardware settings. The parameters will be stored in a battery backed CMOS RAM so data will be retained even when the power is turned off. In general, the information saved in the CMOS RAM stay unchanged unless there is configuration change in the system, such as hard drive replacement or new equipment change.

It is possible that CMOS had a battery failure which cause data lose in CMOS RAM. If so, re-enter system configuration parameters become necessary.

When you need to enter setup message, turn on the computer, the system provides you with the opportunity to run setup utility. This appears during the Power-On Self Test (POST). Press the <Delete> key to call up the Setup utility. If you are little bit late pressing the mentioned key(s), POST will continue with its test routines, thus preventing you from calling up Setup.

The BIOS supports Software Turbo Speed features. You can simply press the <Ctrl>, <Alt>, and <+> keys at the same time to enable the Turbo Speed feature; and press the <Ctrl>, <Alt>, and <-> keys at the same time to disable the feature.

4.01 CMOS Setup Utility

When you invoke Setup Utility, the CMOS Setup Utility main program screen will appeared with the follow option:

STANDARD CMOS SETUP	ROM PCI/ISA BIOS
BIOS FEATURES SETUP	CMOS SETUP UTILITY
CHIPSET FEATURES SETUP	AWARD SOFTWARE, INC.
POWER MANAGEMENT SETUP	INTEGRATED PERIPHERALS
PNP/PCI CONFIGURATION	SUPERVISOR PASSWORD
LOAD SETUP DEFAULTS	USER PASSWORD
	IDE HDD AUTO DETECTION
	HDD LOW LEVEL FORMAT
	SAVE & EXIT SETUP
	EXIT WITHOUT SAVING
ESC: QUIT	↑ ↓ ← → : SELECT ITEM
F10: Save & Exit Setup	(Shift)F2: Change Color
	Time, Date, Hard Disk Type..

The menu displays all the major selection items and allow user to select any one of shown item. The selection is made by moving cursor (press any direction key) to the item and press 'Enter' key. An on-line help message is displayed at the bottom of the screen as cursor is moving to various items which provides user better understanding of each function. When a selection is made, the menu of selected item will appear so the user can modify associated configuration parameters.

4.02 Standard CMOS Setup

ROM PCI/ISA BIOS STANDARD CMOS SETUP AWARD SOFTWARE, INC.									
Date (mm:dd:yy) : Wed, Apr 28 1997									
Time (hh:mm:ss) : 15:38:55									
HARD DISKS	TYPE	SIZE	CYLS	HEAD	PRECOMP	LANDZ	SECTOR	MODE	
Primary Master	:Auto	0	0	0	0	0	0	Auto	
Primary Slave	:Auto	0	0	0	0	0	0	Auto	
Secondary Master	:Auto	0	0	0	0	0	0	Auto	
Secondary Slave	:Auto	0	0	0	0	0	0	Auto	
Drive A : 1.44M, 3.5 in.									
Drive B : None									
Video : EGA/VGA									
Halt On : All Errors									
Base Memory: 640K									
Extended memory: 15360K									
Other Memory: 384K									
Total Memory: 16384K									
ESC: Quit ↑↓←→ : Select Item PU/PD/+/- : Modify									
F1 : Help (Shift)F2: Change Color									

The Standard CMOS Setup screen is displayed above. System BIOS automatically detects memory size, thus no changes are necessary. It has a few items for setting. Each item may have one or more option settings. It allows you to change the system Date and Time, IDE hard disk, floppy disk drive types for drive A: and B:, boot up video display mode, and POST error handling selection. Use the arrow keys to highlight the item and then use the <PgUp> or <PgDn> keys to select the value you want in each item.

Hard Disk Configurations

TYPE:

Select from "1" to "45" to fill remaining fields with pre-defined values of disk drives. Select "User" to fill the remaining fields. Select "Auto" to detect the HDD type automatically.

SIZE:

The hard disk size. The unit is Mega Bytes.

CYLS:

The cylinder number of the hard disk.

HEAD:

The read/write head number of hard disk. The range is from "1" to "16".

PRECOMP:

The cylinder number at which the disk drive changes the write timing.

LANDZ:

The cylinder number that the disk drive heads (read/ write) are seated when the disk drive is parked.

SECTOR:

The sector number of each track defined on the hard disk. The range is from "1" to "64".

MODE:

Select "Auto" to detect the mode type automatically. If your hard disk supports the LBA mode, select "LBA" or "Large". However, if your hard disk cylinder is more than 1024 and does not support the LBA function, you have to set at "Large". Select "Normal" if your hard disk supporting cylinders is below 1024.

4.03 BIOS Features Setup

ROM PCI/ISA BIOS BIOS FEATURES SETUP AWARD SOFTWARE, INC.			
Virus Warning	: Disabled	Video BIOS Shadow	: Enabled
CPU Internal Cache	: Enabled	C8000 - CBFFF Shadow	: Disabled
External Cache	: Enabled	CC000 - CFFFF Shadow	: Disabled
Quick Power On Self Test	: Enabled	D0000 - D3FFF Shadow	: Disabled
Boot Sequence	: A, C, SCSI	D4000 - D7FFF Shadow	: Disabled
Swap Floppy Drive	: Disabled	D8000 - DBFFF Shadow	: Disabled
Boot Up Floppy Seek	: Disabled	DC000 - DFFFF Shadow	: Disabled
Boot Up NumLock Status	: On		
Boot Up System Speed	: High		
Typematic Rate Setting	: Disabled		
Typematic Rate (Chars/Sec)	: 6		
Typematic Delay (Msec)	: 250		
Security Option	: Setup	ESC : Quit ↑↓←→ : Select Item	
PCI/VGA Palette Snoop	: Disabled	F1 : Help PU/PD/+/- : Modify	
OS Select For DRAM > 64MB	: Non-OS2	F5 : Old Values (Shift) F2 : Color	
		F7 : Load Setup Defaults	

Moving around the BIOS and Chipset Features (refer to the next section) Setup programs shown works the same way as moving around the Standard CMOS Setup program. User are not encouraged to run the BIOS and Chipset Features Setup programs. Your system should have been fine-tuned before shipping. Improper Setup may cause the system to fail, consult your dealer before making any changes.

Virus Warning

When enabled, you receive a warning message if a program (specifically, a virus) attempts to write to the boot sector or the partition table of the hard disk drive. You should then run an anti-virus program. Keep in mind that this feature protects only the boot sector, not the entire hard drive.

NOTE: Many disk diagnostic programs that access the boot sector table can trigger the virus warning message. If you plan to run such a program, we recommend that you first disable the virus warning.

CPU Internal Cache

Cache memory is additional memory that is much faster than conventional DRAM (system memory). CPUs from 486-type on up contain internal cache memory, and most, but not all, modern PCs have additional (external) cache memory. When the CPU requests data, the system transfers the requested data from the main DRAM into cache memory, for even faster access by the CPU.

External Cache

There is 256K/512K on-board external cache on RHINO 15+. Enabled this field can get better performance.

Quick Power On Self Test

Select Enabled to reduce the amount of time required to run the power-on self-test (POST). A quick POST skips certain steps. We recommend that you normally disable quick POST. Better to find a problem during POST than lose data during your work.

Boot Sequence

The original IBM PCs loaded the DOS operating system from drive A (floppy disk), so IBM PC-compatible systems are designed to search for an operating system first on drive A, and then on drive C (hard disk). However, modern computers usually load the operating system from the hard drive, and may even load it from a CD-ROM drive.

Swap Floppy Drive

This field is effective only in systems with two floppy drives. Selecting Enabled assigns physical drive B to logical drive A, and physical drive A to logical drive B.

Boot Up Floppy Seek

When Enabled, the BIOS tests (seeks) floppy drives to determine whether they have 40 or 80 tracks. Only 360-KB floppy drives have 40 tracks; drives with 720 KB, 1.2 MB, and 1.44 MB capacity all have 80 tracks. Because very few modern PCs have 40-track floppy drives, we recommend that you set this field to Disabled to save time.

Boot Up NumLock Status

Toggle between On or Off to control the state of the NumLock key when the system boots. When toggled on, the numeric keypad generates numbers instead of controlling cursor operations.

Boot Up System Speed

Select High to boot at the default CPU speed; select Low to boot at the speed of the AT bus. Some add-in peripherals or old software (such as old games) may require a slow CPU speed. The default setting is High.

Typematic Rate Setting

When Disabled, the following two items (Typematic Rate and Typematic Delay) are irrelevant. Keystrokes repeat at a rate determined by the keyboard controller in your system. When Enabled, you can select a typematic rate and typematic delay.

Typematic Rate (Chars/Sec)

When the typematic rate setting is enabled, you can select a typematic rate (the rate at which character repeats when you hold down a key) of 6, 8, 10, 12, 15, 20, 24 or 30 characters per second.

Typematic Delay (Msec)

When the typematic rate setting is enabled, you can select a typematic delay (the delay before key strokes begin to repeat) of 250, 500, 750 or 1000 milliseconds.

Security Option

If you have set a password, select whether the password is required every time the System boots, or only when you enter Setup.

PCI/VGA Palette Snoop

Some nonstandard VGA such as graphics accelerators or MPEG video cards may not show colors properly. The setting Enabled can correct it. Otherwise, leave at Disabled.

OS Select for DRAM > 64MB

Select OS2 only if you are running OS/2 operating system with greater than 64 MB of RAM on your system.

Shadow

Software that resides in a read-only memory (ROM) chip on a device is called firmware. The Award BIOS permits shadowing of firmware such as the system BIOS, video BIOS, and similar operating instructions that come with some expansion peripherals, for example, a SCSI adaptor.

Shadowing copies firmware from ROM into system RAM, where the CPU can read it through the 16-bit or 32-bit DRAM bus. Firmware not shadowed must be read by the system through the 8-bit X-bus. Shadowing improves the performance of the system BIOS and similar ROM firmware for expansion peripherals, but it also reduces the amount of high memory (640 KB to 1 MB) available for loading device drivers, etc.

Enable shadowing into each section of memory separately. Many system designers hardware shadowing of the system BIOS and eliminate a System BIOS Shadow option.

Video BIOS Shadow

Video BIOS shadows into memory area C0000-C7FFF. The remaining areas shown on the BIOS Features Setup screen may be occupied by other expansion card firmware. If an expansion peripheral in your system contains ROM-based firmware, you need to know the address range the ROM occupies to shadow it into the correct area of RAM.

4.04 Chipset Features Setup

ROM PCI/ISA BIOS CMOS SETUP UTILITY CHIPSET FEATURES SETUP	
Auto Configuration	: Enabled
DRAM Timing	: 70ns
DRAM Leadoff Timing	: 10/6/4
DRAM Read Burst (EDO/FP)	: x333/x444
DRAM Write Burst Timing	: x333
Fast EDO Lead Off	: Disabled
Refresh RAS# Assertion	: 5 Clks
Fast RAS To CAS Delay	: 3
DRAM Page Idle Timer	: 4 Clks
DRAM Enhanced Paging	: Enabled
Fast MA to RAS# Delay	: 2 Clks
SDRAM (CAS Lat/RAS-to-CAS)	: 3/3
SDRAM Speculatively Read	: Disabled
System BIOS Cacheable	: Enabled
Video BIOS Cacheable	: Enabled
8 Bit I/O Recovery	: 1
16 Bit I/O Recovery	: 2
Memory Hole At 15M-16M	: Disabled
PCI 2.1 compliance	: Enabled
	ESC : Quit ↑↓←→ : Select Item F1 : Help PU/PD/+/- : Modify F5 : Old Values (Shift) F2 : Color F7 : Load Setup Defaults

Auto Configuration

Auto Configuration selects predetermined optimal values of Chipset parameters. When Disabled, Chipset parameters revert to setup information stored in CMOS. Many fields in this screen are not available when Auto Configuration is Enabled.

DRAM Timing

This value in this field is access speed, a lower value means a faster system. The value in this field must correspond to the speed of the DRAM installed in your system. The default setting is 70ns, if you are using 60ns DRAM modules, you must change this field to 60ns.

DRAM Leadoff Timing

Lower value shorten the leadoff cycles and optimize performance.

Fast EDO Lead Off

Selecting Enabled shorten the leadoff cycles and optimize performance.

Fast MA to RAS# Delay

Inserts an additional wait state before the beginning of a memory read. The setting of this parameter depends on the board design. Do not change from the manufacturer's default unless you are getting memory addressing errors.

SDRAM (CAS Lat/RAS-to-CAS)

This field lets you insert a timing delay between the CAS and RAS strobe signals, used when DRAM is written to, read from, or refreshed. Lower value gives faster performance; and upper value gives more stable performance.

SDRAM Speculatively

Leave this field at default of Disabled

DRAM Read Burst (EDO/FP)

Set the timing for burst-mode reads from DRAM. The lower the timing numbers, the faster the system addresses memory.

DRAM Write Burst Timing

Set the timing for burst-mode writes from DRAM. The lower the timing numbers, the faster the system addresses memory.

System BIOS Cacheable

Selecting Enabled allows caching of the system BIOS ROM at F0000h-FFFFh, resulting in better system performance. However, if any program writes to this memory area, a system error may result.

Video BIOS Cacheable

Selecting Enabled allows caching of the video BIOS ROM at C0000h to C7FFFh, resulting in better video performance. However, if any program writes to this memory area, a system error may result.

8/16 Bit I/O Recovery Time

The I/O recovery mechanism adds bus clock cycles between PCI-originated I/O cycles to the ISA bus. This delay takes place because the PCI bus is so much faster than the ISA bus.

These two fields let you add recovery time (in bus clock cycles) for 16-bit and 8-bit I/O.

Memory Hole at 15M-16M

You can reserve this area of system memory for ISA adapter ROM. When this area is reserved, it cannot be cached. The user information of peripherals that need to use this area of system memory usually discusses their memory requirements.

4.05 Power Management Setup

ROM PCI/ISA BIOS CMOS SETUP UTILITY	
POWER MANAGEMENT SETUP	
Power Management	: Disabled
PM Control by APM	: Yes
Video Off Method	: V/H SYNC+Blank
Video Off After	: Standby
Modem use IRQ	: 3
Doze Mode	: Disabled
Standby Mode	: Disabled
Suspend Mode	: Disabled
HDD Power Down	: Disabled
Throttle Duty Cycle	: 62.5%
ZZ Active in Suspend	: Disabled
VGA Active Monitor	: Disabled
Soft-Off by PWR-BTTN	: Delay 4 Sec.
CPUFAN off In suspend	: Enabled
Resume by Ring	: Disabled
IRQ 8 Break Suspend	: Disabled

** Reload Global Timer Events **	: Enabled
IRQ [3-7, 9-15], NMI	: Disabled
Primary IDE 0	: Disabled
Primary IDE 1	: Disabled
Secondary IDE 0	: Disabled
Secondary IDE 1	: Disabled
Floppy Disk	: Disabled
Serial Port	: Enabled
Parallel Port	: Disabled

ESC	: Quit	↑ ↓ → ←	: Select Item
F1	: Help	PU/PD/+/-	: Modify
F5	: Old Values	(Shift) F2	: Color
F7	: Load Setup Defaults		

Power Management

This option allows you to select the type (or degree) of power saving for Doze, Standby, and Suspend modes. See the section PM Timers for a brief description of each mode.

This table describes each power management mode:

Max Saving	Maximum power savings. Only Available for SL CPUs. Inactivity period is 1 minutes in each mode.
User Define	Set each mode individually. Select time-out periods in the PM Timers section, following.
Min Saving	Minimum power savings. Inactivity period is 1 hours in each mode.

PM Control by APM

If Advanced Power Management (APM) is installed on your system, selecting Yes gives better power savings.

Video Off Method

Determines the manner in which the monitor is blanked.

V/H SYNC+Blank System turns off vertical and horizontal synchronization ports and writes blanks to the video buffer.

DPMS Support Select this option if your monitor supports the Display Power Management Signaling (DPMS) standard of the Video Electronics Standards Association (VESA). Use the software supplied for your video subsystem to select video power management values.

Blank Screen System only writes blanks to the video buffer.

IRQ 8 Break Suspend
Enable real-time to wake up system.

Reload Global Timer Events
Set Enabled to wake up system when selected device active.

CPUFAN off in suspend
When enabled this option, the CPU fan will power off automatically in suspend mode.

This feature reduces both energy consumption and noise, and it is a important feature in future PC systems.

Resume by Ring

This option allow a computer to be turned on remotely through a modem. With this function, user can access information from their computer from anywhere in the world.

4.06 PnP/PCI Configuration

ROM PCI/ISA BIOS PNP/PCI CONFIGURATION AWARD SOFTWARE, INC.	
PnP OS Installed	: No
Resources Controlled By	: Auto
Reset Configuration Data	: Disabled

PCI IDE IRQ Map To	: PCI-AUTO
Primary IDE INT#	: A
Secondary IDE INT#	: B

ESC	: Quit	↑ ↓ → ←	: Select Item
F1	: Help	PU/PD/+/-	: Modify
F5	: Old Values	(Shift) F2	: Color
F7	: Load Setup Defaults		

Resources Controlled By

The Award Plug and Play BIOS can automatically configure all the boot and Plug and Play compatible devices. If you select Auto, all the interrupt request (IRQ) and DMA assignment fields disappear, as the BIOS automatically assigns them.

Reset Configuration Data

Normally, you leave this field Disabled. Select Enabled to reset Extended System Configuration Data (ESCD) when you exit Setup if you have installed a new add-on and the system reconfiguration has caused such a serious conflict that the operating system cannot boot.

IRQ n Assigned to

When resources are controlled manually, assign each system interrupt as one of the following types, depending on the type of device using the interrupt:
Legacy ISA Devices compliant with the original PC AT bus specification, requiring a specific interrupt (such as IRQ4 for serial port 1). PCI/ISA PnP Devices compliant with the Plug and Play standard, whether designed for PCI or ISA bus architecture.

DMA n Assigned to

When resources are controlled manually, assign each system DMA channel as one of the following types, depending on the type of device using the interrupt:
Legacy ISA Devices compliant with the original PC AT bus specification, requiring a specific DMA channel. PCI/ISA PnP Devices compliant with the Plug and Play standard, whether designed for PCI or ISA bus architecture.

PCI IDE IRQ Map to

This field lets you select PCI IDE IRQ mapping or PC AT (ISA) interrupts. If your system does not have one or two PCI IDE connectors on the system board, select values according to the type of IDE interface(s) installed in your system (PCI or ISA). Standard ISA interrupts for IDE channels are IRQ14 for primary and IRQ15 for secondary.

Primary/Secondary IDE INT#

Each PCI peripheral connection is capable of activating up to four interrupts: INT# A, INT# B, INT# C and INT# D. By default, a PCI connection is assigned INT# A. Assigning INT# B has no meaning unless the peripheral device requires two interrupt services rather than just one. Because the PCI IDE interface in the Chipset has two channels, it requires two interrupt services. The primary and secondary IDE INT# fields default to values appropriate for two PCI IDE channels, with the primary PCI IDE channel having a lower interrupt than the secondary.

4.07 Integrated Peripherals

ROM PCI/ISA BIOS INTEGRATED PERIPHERALS AWARD SOFTWARE, INC.	
IDE HDD Block Mode	: Enabled
IDE Primary Master PIO	: Auto
IDE Primary Slave PIO	: Auto
IDE Secondary Master PIO	: Auto
IDE Secondary Slave PIO	: Auto
IDE Primary Master UDMA	: Auto
IDE Primary Slave UDMA	: Auto
IDE Secondary Master UDMA	: Auto
IDE Secondary Slave UDMA	: Auto
On-Chip Primary PCI IDE	: Enabled
On-Chip Secondary PCI IDE	: Enabled
KBC input clock	: 8 MHz
Onboard FDC Controller	: Enabled
Onboard Serial Port 1	: 3F8/IRQ4
Onboard Serial Port 2	: 2F8/IRQ3
UR2 Mode	: Standard
Onboard Parallel Port	: 378/IRQ7
Parallel Port Mode	: SPP
ESC : Quit ↑↓→← : Select Item F1 : Help PU/PD/+/- : Modify F5 : Old Values (Shift) F2 : Color F7 : Load Setup Defaults	

IDE HDD Block Mode

Block mode is also called block transfer, multiple commands, or multiple sector read/write. If your IDE hard drive supports block mode (most new drives do), select Enabled for automatic detection of the optimal number of block read/writes per sector the drive can support.

IDE Primary/Secondary Master/Slave PIO

The four IDE PIO (Programmed Input/Output) fields let you set a PIO mode (0-4) for each of the four IDE devices that the onboard IDE interface supports. Modes 0 through 4 provide successively increased performance. In Auto mode, the system automatically determines the best mode for each device.

IDE Primary/Secondary Master/Slave UDMA

The integrated peripheral controller contains an IDE interface with support for DMA-33 mode. Select Enabled to activate each channel separately.

On-Chip Primary/Secondary PCI IDE

You may separately disable the primary/secondary channel.

Onboard FDC Controller

Select Enabled if your system has a floppy disk controller (FDC) installed on the system board and you wish to use it. If you install an add-in FDC or the system has no floppy drive, select Disabled in this field.

Onboard Serial Port 1/2

Select a logical COM port name and matching address for the first and second serial ports.

Onboard Parallel Port

Select a logical LPT port name and matching address for the physical parallel (Printer) port.

Parallel Port Mode

Select an operating mode for the onboard parallel port. Select Compatible or Extended unless you are certain both your hardware and software support EPP (Enhanced Parallel Port) or ECP (Extended Capabilities Port) mode.

- SPP** PC AT parallel port
- EPP** Fast, bi-directional port used primarily by non-printer peripherals, CD-ROM, tape, hard drive, network adapters, etc.
- ECP** Fast, buffered port, used primarily by new generation of printers and scanners.

4.08 Load Setup Defaults

Load the system default data directly from ROM and initialize associated hardware properly. This function will be necessary only when the system CMOS data is corrupted.

4.09 Supervisor/ User Password

When you select this function, a message appears at the center of the screen:

ENTER PASSWORD:

Type the password, up to eight characters, and press Enter. Typing a password clears any previously entered password from CMOS memory. Now the message changes:

CONFIRM PASSWORD:

Again, type the password and press Enter. To abort the process at any time, press Esc.

In the Security Option item in the BIOS Features Setup screen, select System or Setup:

- System** Enter a password each time the system boots and when ever you enter setup.
- Setup** Enter a password when ever you enter Setup.

NOTE: To clear the password simply press Enter when asked to enter a password. Then the password function is disabled.

4.10 IDE HDD Auto Detection

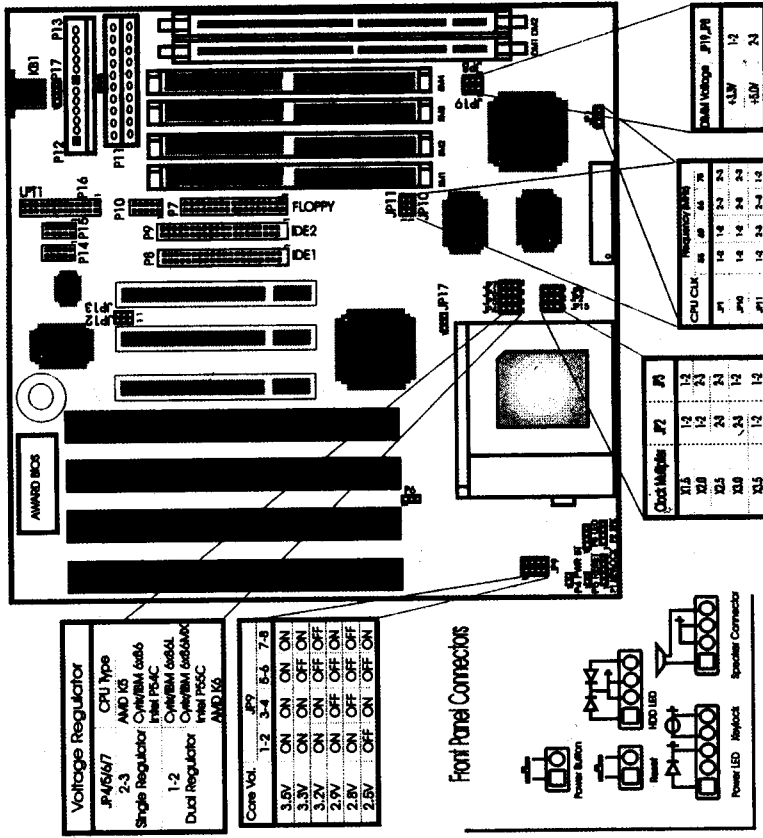
ROM PCI/ISA BIOS
STANDARD CMOS SETUP
AWARD SOFTWARE, INC.

HARD DISKS TYPE SIZE CYLS HEAD PRECOMP LANDZ SECTOR MODE
Primary Master :

Select Primary Master Option (N=Skip): N							
OPTIONS	SIZE	CYLS	HEAD	PRECOMP	LANDZ	SECTOR	MODE
2(Y)	540	524	32	0	1047	63	LBA
1	540	1048	16	65535	1047	63	NORMAL
3	540	524	32	65535	1047	63	LARGE

Note: Some OSes (like SCO-UNIX) must use "NORMAL" for installation

JUMPER SETTING



The IDE Hard Disk Drive Auto Detection feature automatically configurations your new hard disk. Use it for a quick configuration of new hard drives. This feature allows you to set the parameters of up to four IDE HDDs. The option with "(Y)" are recommended by the system BIOS. You may also keys in your own parameters instead of setting by the system BIOS. After all setting, press ESC key to return the main menu. For confirmation, enter the Standard CMOS Setup feature.

4.11 Save and Exit Setup

After you have made changes under Setup, press <ESC> to return to the main menu. Move cursor to "Save and Exit Setup" or press "F10" and then press "Y" to change the CMOS Setup. If you did not change anything, press <ESC> again or move cursor to "Exit Without Saving" and press "Y" to retain the Setup settings. The following message will appear at the center of the screen to allow you to save data to CMOS and exit the setup utility:

SAVE to CMOS and EXIT (Y/N)?

4.12 Exit without Saving

If you select this feature, the following message will appear at the center of the screen to allow you to exit the setup utility without saving CMOS modifications:

Quit Without Saving (Y/N)?