

MAINBOARD PV42

Installation Guide

Rev: 1.00H

Date: July - 99

- * All other product names are trademarks or copyrights of their respective owners.
- * Specifications and information contained in this manual are subject to change without notice.

Table of Contents

| | |
|---|-----------|
| INTRODUCTION | 3 |
| Product Description | 3 |
| Features & Specifications | 4 |
| Package Checklist..... | 5 |
| Board Level Feature..... | 6 |
| Comprehensive Mainboard View | 8 |
| INSTALLATION | 9 |
| Installing the CPU | 9 |
| Setting the Jumpers | 10 |
| Connections..... | 14 |
| Installing the Memory Modules (DIMM)..... | 24 |
| Installing an AMR Card | 25 |
| Installing the Front and Panel (Optional)..... | 25 |
| Installing the Side Panel (Optional)..... | 26 |
| Installing the Support Drivers and Utilities..... | 27 |
| SOFTWARE SUPPORT | 29 |
| Mainboard BIOS | 29 |
| Flash BIOS Programming Utility..... | 30 |
| Symbios SCSI Configuration Utility | 31 |
| DMI Utility..... | 31 |

INTRODUCTION

Product Description

Designed as a flexible, high-performance and cost-effective solution for System Integrators and End Users alike, this mainboard provides the power and expandability to meet the requirements of the most advanced operating systems and software applications.

This mainboard is a high performance Pentium ®-based (FSB 100MHz) system board that utilizes the VIA Apollo MVP4 AGPset on Micro-ATX Platform. By incorporating such advanced features as AMR, AC97 audio, Super I/O, Ultra DMA/66 Bus Mastering IDE, Universal Serial Bus (USB) and Hardware Monitoring onto the mainboard, optimum system performance is assured and system design and implementation is simplified.

Fully “Plug & Play” compatible via an Award BIOS, this mainboard facilitates easy system configuration and peripheral setup. Also, the Award BIOS supports ACPI Readiness and is compatible with the PC’98 specification. This mainboard is the ideal foundation for high-end computer systems.

INTRODUCTION

Features & Specifications

| | |
|------------------------------|--|
| Processor | ZIF socket 7 support AMD® K6-2 / K6-III up to 500 MHz, INTEL® Pentium MMX up to 233 MHz |
| Chipset | VIA ® Apollo MVP4 AGPset |
| BIOS | Award ® BIOS, support DMI, Plug-and-Play, ACPI, Boot from CD-ROM, LS-120 120MB F.D.D., ZIP Devices Support Symbios® SCSI BIOS Anti-virus BIOS for prevention against boot-virus |
| System Memory | 3×168-pin DIMM Sockets up to 768 MB SDRAM Memory Capacity; Support 8/16/32/64/128/256 MB Memory Module ECC Supported |
| On-board I/O Features | 1×Serial Port (16550 Fast UART Compatible) 1×Serial Header (16550 Fast UART Compatible) 1×Parallel Port (EPP, ECP Port) 1×IrDA TX/RX Header 1×Floppy Port (Up to 2.88MB) 2×USB ports 1×Video Port 1×MIDI/game port (*) 1×Audio Jacks: Line Out, Line In, and Mic. In 1×Side Panel Connector/Jumper (<i>Side Panel is optional</i>) (to USB, Game/MIDI, Ear phones, Mic-in ports) 1×Front Panel Connector (<i>Font Panel is optional</i>) (to Power and Reset buttons, Power and HDD LEDs) |
| Advanced Features | 1. AGP 3D Graphics and AC97 Audio on board 2. Wake on LAN, Wake on Modem 3. Hardware Monitoring (Fan, Temperature, Voltage) 4. Xstore Pro IDE Bus Master Software Driver (*) 5. Anti-Virus PC-Cillin Software (*) 6. Supports 512K/1M Cache 7. Supports AMR for MC97 Modem upgrade |
| PCI Bus Master IDE | 2×UltraDMA/66 PCI Bus Master IDE Ports support up to 66MB/s |
| Power Connector | 3V, 5V and 12V 20-pin ATX 20-pin Power Connector |
| Expansion Slots | 1 AMR Slot, 3×32-bit PCI Slots, 1×16-bit ISA Slot |
| Switching VR | Switching Voltage Regulator to support 1.3V to 3.5V |
| Form Factor | Micro-ATX Size (8.1" x 9.6" or 207mm x 245mm) |

Remark:

For the mainboard that comes with the front and side panels (optional), the MIDI/game port is not built on the mainboard.

The **XStore Pro IDE Driver** enhances memory management by working with the Windows 95/98 operating system, resulting in higher system performance by implementing "read-ahead caching after seeking". This is especially effective with the large block sizes of modern hard disks.

PC-cillin anti-virus software provides a powerful defense against viruses to protect data integration.

Package Checklist

Your mainboard package should include the items listed below. Damaged or missing items should be reported to your vendor.

- The mainboard
- Floppy disk ribbon cable
- IDE ribbon cable
- RS232 9-pin COM2 serial port bracket
- This Installation Guide
- BIOS, Driver & Utility Guide
- CD-ROM containing the following support software:
(The latest drivers can always be found at their respective web sites.)
 - VIA® PCI Bridge driver,
 - VIA VxD driver,
 - VIA PCI Mini-port driver
<http://www.via.com.tw/drivers>
 - Support software for updating the FLASH BIOS
 - HighPoint® XStore Pro IDE Bus Master
<http://www.highpoint-tech.com>
 - Trend ® PC-cillin Anti-Virus software
<http://www.antivirus.com>
- Front Panel (Optional)
- Side Panel (Optional)

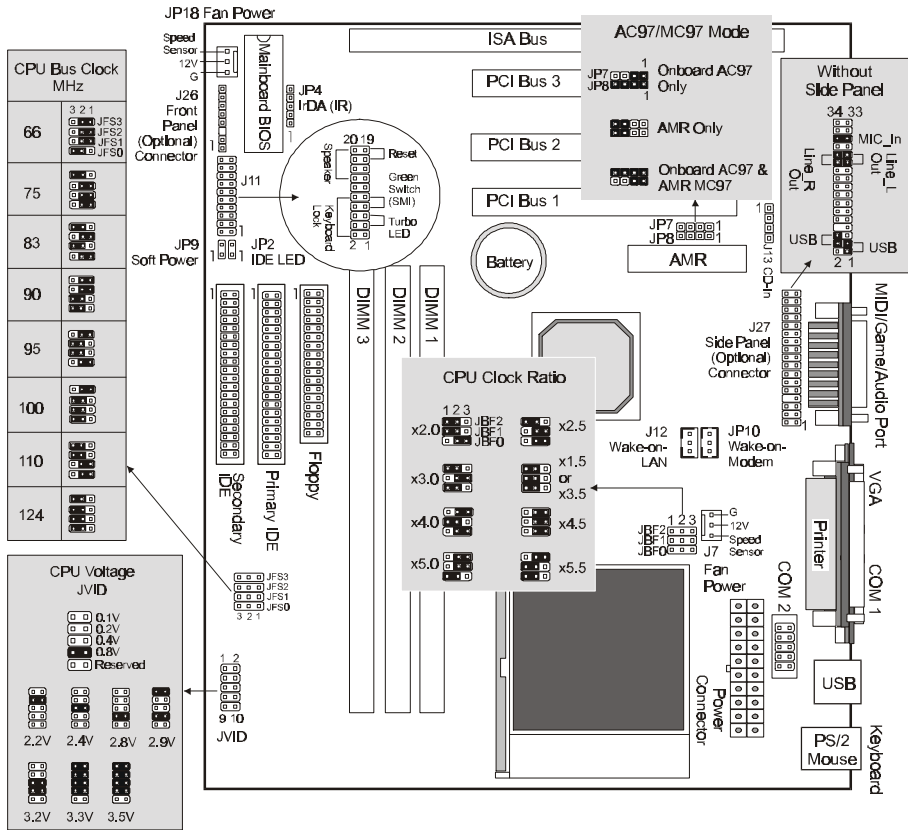
1. **ISA Slot:** (1) 16-bit ISA slot.
2. **PCI Slots:** (3) 32-bit PCI slots are provided.
3. **AMR Slot:** The Audio Modem Riser is a new standard interface for cost-effective AMR AC97/MC97 audio/modem cards.
4. *** MIDI/Game Port:** 15-pin female MIDI/Joystick connector.
* For the mainboard that comes with the front and side panels (optional), the MIDI/game port is not built on the mainboard.
5. **Audio Port:** Three 1/8" female jacks for Line Out, Line In and MIC.
6. **VGA Port:** 15-pin VGA connector.
7. **Printer Port:** EPP and ECP compatible 25-pin D-Sub parallel port.
8. **COM1 Connector:** High-speed UART compatible serial port.
9. **COM2 Connector:** Connects to High-speed UART compatible serial port bracket. COM2 can be directed to the Infrared Module for wireless connection capability.
10. **USB Connectors:** These connectors permit the connection of two USB peripheral devices directly to the port without an external hub. USB is a new technology supporting printers, fax modems and other telephony device.
11. **PS/2 Mouse Connector:** Supports PS/2 style mice.
12. **PS/2 Keyboard Connector:** Supports PS/2 style keyboards.
13. **Power Connector:** 20-Pin ATX Power Connector.
14. **CPU Socket:** ZIF Socket 7 for AMD® K6-2 / K6-III up to 500 MHz and Intel® Pentium MMX up to 233 MHz.
15. **VIA® Apollo MVP4 AGPset:** Supports Socket 7 CPUs, UDMA66 and AGP 2x.
16. **DIMM Sockets:** (3) 168-pin DIMM sockets are provided to support a maximum RAM memory capacity of 768 MB. DIMM types of 3.3 Volt true SDRAM is supported and automatically detected by the BIOS.
17. **Floppy Connector:** Built-in floppy controller supports (2) 5.25" or 3.5" (1.44MB or 2.88MB) floppy drives.
18. **Primary IDE Connector:** Connector for first IDE channel. The on-board PCI Bus Mastering IDE controller features support for UltraDMA 66 Mode and PIO Modes 3 and 4 for faster data transfer rates. (2) Connectors are

INTRODUCTION

provided for support of up to (4) IDE devices on two channels. ATAPI Tape Drives and CD-ROMs are also supported.

19. **Secondary IDE Connector:** Connector for second IDE channel.
20. **Mainboard BIOS:** Award BIOS supporting “Plug and Play”, DMI, ACPI specifications, on screen setup for Enhanced IDE and Multi-I/O. The BIOS is FLASH Upgradeable via the AWDFLASH Utility.

Comprehensive Mainboard View



INSTALLATION

Static Precautions

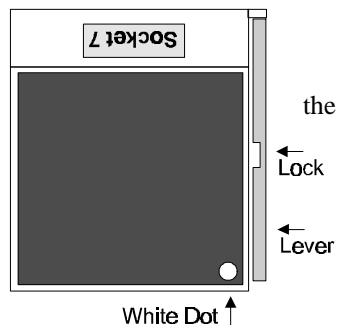
Static electricity can be a serious danger to the electronic components on this mainboard. To avoid damage caused by electrostatic discharge, observe the following precautions:

- ✓ Don't remove the mainboard from its anti-static packaging until you are ready to install it into a computer case. Also, handle add-in cards and modules by the edges or mounting bracket.
- ✓ Before you handle the mainboard in any way, touch a grounded, anti-static surface, such as an unpainted portion of the system chassis, for a few seconds to discharge any built-up static electricity.

Installing the CPU

✓ **WARNING:** Use of a CPU Cooling Fan is required to prevent CPU from overheating. The Fan should be installed first before inserting the CPU into its socket.

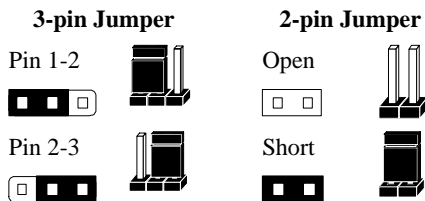
1. Locate the ZIF (Zero Insertion Force) Socket 7.
2. First open the socket by pulling the lever sideways, then upwards. Notice how the lever locks in place when pressed all the way down.
3. The CPU must be inserted with the correct orientation. One corner of the CPU has a "Notch" and looks different than the other three. This corner is also missing a pin unlike the other three and is marked with a white dot on top of the CPU. Align this corner towards the end of the lever as shown in the figure here. Insert the CPU, press it down, and close the lever until it locks into place.



INSTALLATION

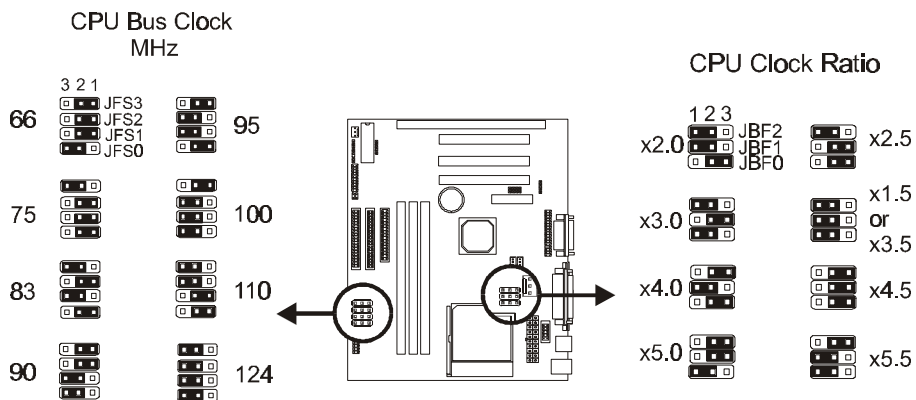
Setting the Jumpers

Jumpers are used on this mainboard to select various settings and features. A 2-pin jumper has two settings: Open and Short (or Closed). The jumper is closed by placing the Jumper Cap across the two pins, thereby connecting them. 3-pin jumpers can be set to pins 1-2 or 2-3 connected. Pin-1 is labeled on the circuit board.



CPU Clock Selection Jumper (JBF0-2 and JFS0-3)

After installing the CPU, you must set the clock selection jumpers to match the frequency of the CPU. Find the Jumper Blocks labeled JBF0-2 and JFS0-3. Set the jumpers according to your particular CPU type (a list of current available CPU settings is provided on the following page).



Jumper setting for CPU:

| <u>CPU Model</u> | <u>CPU Clock</u> | <u>Bus Clock (JFS0-3)</u> | <u>Ratio (JBF0-2)</u> |
|-----------------------|------------------|---------------------------|-----------------------|
| AMD-K6-III-450MHz | 450MHz | 100MHz | ×4.5 |
| AMD-K6-III-400MHz | 400MHz | 100MHz | ×4.0 |
| AMD-K6-2-450MHz | 450MHz | 100MHz | ×4.5 |
| AMD-K6-2-400MHz | 400MHz | 100MHz | ×4.0 |
| AMD-K6-2-350MHz | 350MHz | 100MHz | ×3.5 |
| AMD-K6-2-300MHz | 300MHz | 100MHz | ×3.0 |
| AMD-K6-2-266MHz | 250MHz | 100MHz | ×2.5 |
| AMD-K6-2-380MHz | 380MHz | 95MHz | ×4.0 |
| AMD-K6-2-333MHz | 333MHz | 95MHz | ×3.5 |
| AMD-K6-300MHz | 300MHz | 66MHz | ×4.5 |
| AMD-K6-266MHz | 266MHz | 66MHz | ×4.0 |
| AMD-K6-233MHz | 233MHz | 66MHz | ×3.5 |
| AMD-K6-200MHz | 200MHz | 66MHz | ×3.0 |
| AMD-K6-166MHz | 166MHz | 66MHz | ×2.5 |
| AMD-K5-PR200 | | 66MHz | ×3.0 |
| AMD-K5-PR166 | | 66MHz | ×2.5 |
| AMD-K5-PR133 | | 66MHz | ×1.5 |
| Intel Pentium MMX-233 | 233MHz | 66MHz | ×3.5 |
| Intel Pentium MMX-200 | 200MHz | 66MHz | ×3.0 |
| Intel Pentium MMX-166 | 166MHz | 66MHz | ×2.5 |
| Intel Pentium MMX-150 | 150MHz | 60MHz | ×2.5 |
| Intel Pentium -200 | 200MHz | 66MHz | ×3.0 |
| Intel Pentium -166 | 166MHz | 66MHz | ×2.5 |
| Intel Pentium -150 | 150MHz | 60MHz | ×2.5 |
| Intel Pentium -133 | 133MHz | 66MHz | ×2.0 |
| Intel Pentium -120 | 120MHz | 60MHz | ×2.5 |
| IDT WinChip 2-300 | | 100MHz | ×2.5 |
| IDT WinChip 2-266 | | 100MHz | ×5.0 |
| IDT WinChip 2-233 | 233MHz | 66MHz | ×3.5 |
| IDT WinChip 2-200 | 200MHz | 60MHz | ×3.0 |
| IDT C6-240 | 240MHz | 60MHz | ×4.0 |
| IDT C6-225 | 225MHz | 75MHz | ×3.0 |
| IDT C6-200 | 200MHz | 66MHz | ×3.0 |
| IDT C6-180 | 180MHz | 60MHz | ×3.0 |
| IDT C6-150 | 150MHz | 75MHz | ×2.0 |

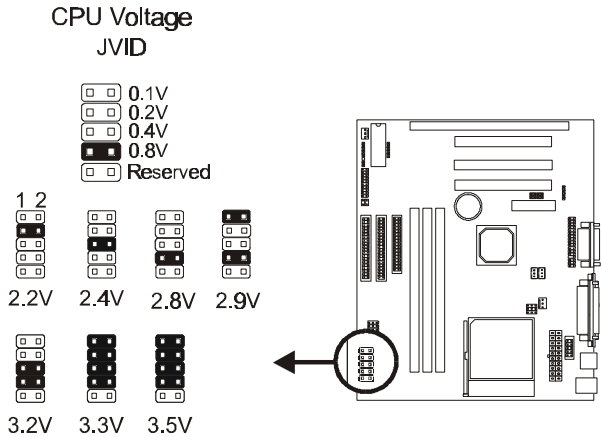
INSTALLATION

| | | | |
|------------------|--------|--------|------|
| RISE MP6 (PR266) | 200MHz | 100MHz | ×2.0 |
| RISE MP6 (PR233) | 190MHz | 95MHz | ×2.0 |
| RISE MP6 (PR166) | 166MHz | 83MHz | ×2.0 |

- The Internal (Core) frequency corresponds to the number marked on the CPU. The External Frequency when multiplied with the Ratio gives the CPU's internal frequency.
- This table lists the current CPU available. New settings may be available for new CPU products. Refer to your CPU specifications for more information.

CPU Voltage Selection Jumper (JVID)

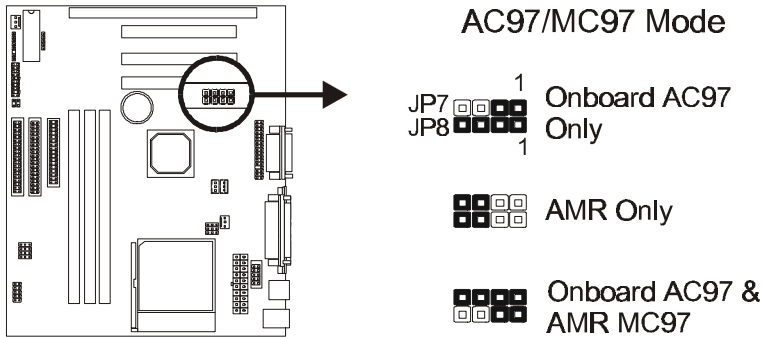
Locate Jumper JVID on the mainboard. Set this jumper in accordance with your specific CPU type.



- If you are uncertain about the speed or voltage requirements of your particular CPU, you should obtain Technical Documentation from the manufacturer. Such information is available via the Intel and AMD WWW sites.

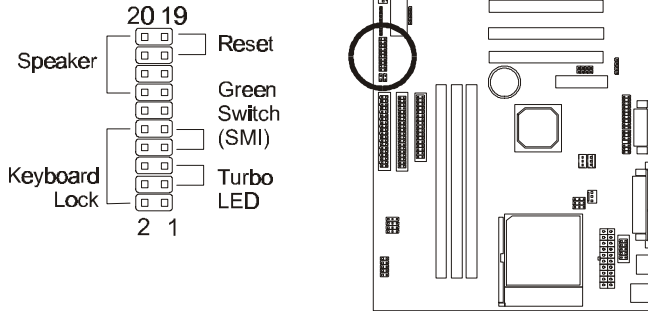
AC97/MC97 Mode Selection Jumper (JP7 & JP8)

Set this jumper block according to the audio/modem device(s) used. If you are using the onboard AC97 audio and no AMR card, set this jumper block to **Onboard AC97 Only**. Select the **AMR Only** mode if you are using an AMR audio/modem add-on card and not the onboard AC97 audio. If you are using both the onboard AC97 audio and AMR modem (MC97) card, select the **Onboard AC97 & AMR MC97** mode.



- * To use AC97/MC97 support, make sure the “*OnChip Sound*”/”*OnChip Modem*” option in the **Chipset Features Setup** of the mainboard BIOS is set to *Enabled* (default).

System Function Connector Block (J11)



Pins [3 & 5] Turbo LED switch – The Turbo function is not supported by this mainboard. Therefore, the Turbo LED will always remain lit as long as the system power is on.

Pins [7 & 9] SMI suspend switch lead - If your system’s case has a suspend switch, hook the lead from the switch to pins 7 & 9. A suspend switch is used to save electricity by putting the system into a suspend mode when the computer is not being used. For this switch to be functional, “*Suspend Mode*” must first be enabled in the **Power Management Setup** in the BIOS Setup utility.

Pins [17 & 19] Reset switch lead - Connects to the Reset Switch lead from the system’s case. The reset switch is used to “cold-boot” the system without actually turning off the power, reducing wear and tear on the power supply.

Pins [2, 6, 8 & 10] Keyboard lock switch lead – Pins 2 & 6 connect to the power LED from the system’s case. Pins 8 and 10 connect to the case-mounted keylock switch.

Pins [14 & 20] Speaker connector - Connects to the Speaker lead from the system’s case.

INSTALLATION

IDE Activity LED (JP2)

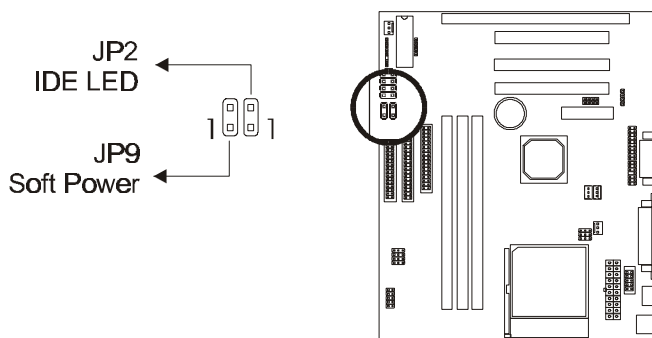
Hook the IDE LED lead to this connector, with the RED lead corresponding to Pin-1.

Soft Power Switch (JP9)

Connects to the Power Switch featured on ATX case designs. This switch must be hooked up before the system can be powered on, unlike traditional “Baby-AT” designs where the power switch is located on the Power Supply itself.

Note: Under the following two conditions, you have to press and hold the switch for more than 4 seconds to power off your system, regardless of *the “Soft-Off by PWRBTN”* setting in the **Power Management Setup** of the BIOS.

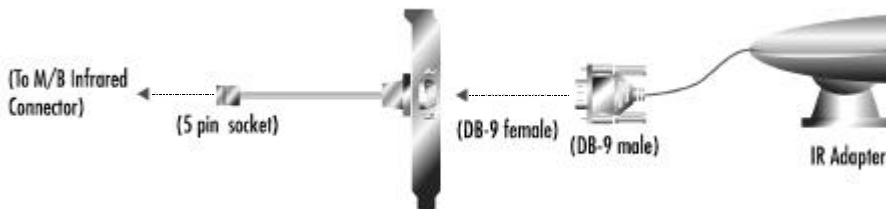
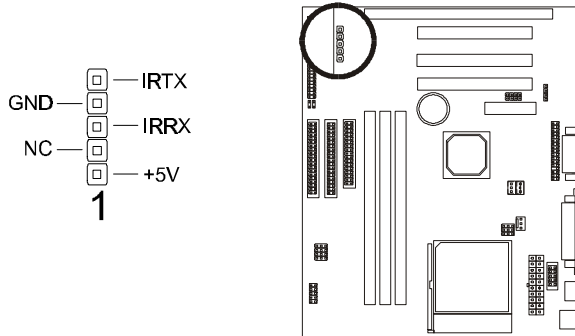
- *Shortly after the system is powered on, when the BIOS message is not yet appear.*
- *When CPU hangs.*



INSTALLATION

IrDA-Compliant Infrared Module Connector (JP4)

The IrDA connector bracket hooks directly to this connector on the mainboard. This connector provides support for the optional wireless transmitting and receiving infrared module. You must first configure through the BIOS setup where UART2 is directed, COM2 or IrDA.



INSTALLATION

Wake-on-LAN Connector (J12)

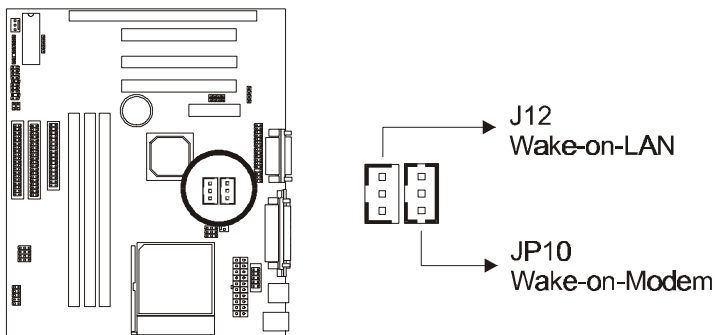
The Wake-on-LAN function will allow the network to wake up a Soft Power Down (Soft-Off) PC. However, if your system is in the Suspend mode, you can wake-up the system only through an IRQ or DMA interrupt. To use the Wake-on-LAN function, you must enable the “**Power On By Ring/LAN**” field in the **Power Management Setup** of the Award BIOS. Connect the cable that comes with your LAN card to this connector on the system board. Refer to the add-in card’s manual for details.

Note: Your LAN card must support Magic Packet in order to use the Wake-on-LAN function.

Wake-on-Modem Function (JP10)

The Wake-on-Modem function allows the modem to remotely power on the system. Install an external modem (normally to COM2) and enable “**Power On by Ring/LAN**” function in the **Power Management Setup** from the BIOS.

For the function to work for an *internal modem card*, you must also connect the Wake-on-Ring cable on the modem card to the *Wake-on-Modem function connector* on the mainboard.



Serial and Parallel Ports

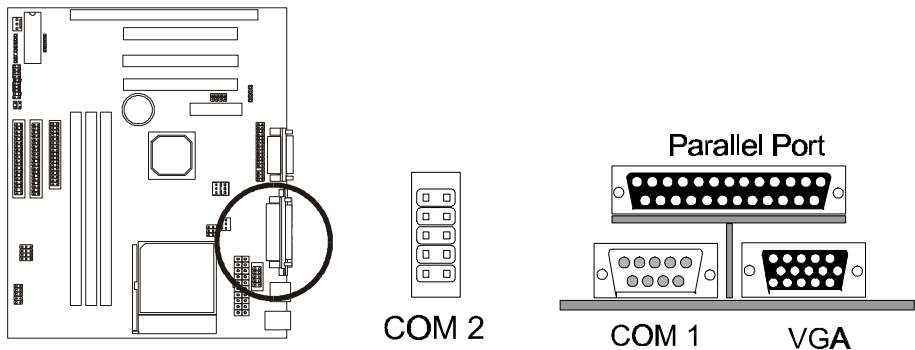
A 25-pin D-Sub header is provided on the back panel for a multi-mode bi-directional parallel port.

One 9-pin D-Sub headers are also provided on the back panel for Serial ports.

For the second serial port, plug the 10-pin cable of the serial port bracket to the COM2 connector on the mainboard.

VGA Connector

This mainboard has built-in VGA features. A 15-pin connector is provided on the back panel for connecting to the VGA connector from the monitor.



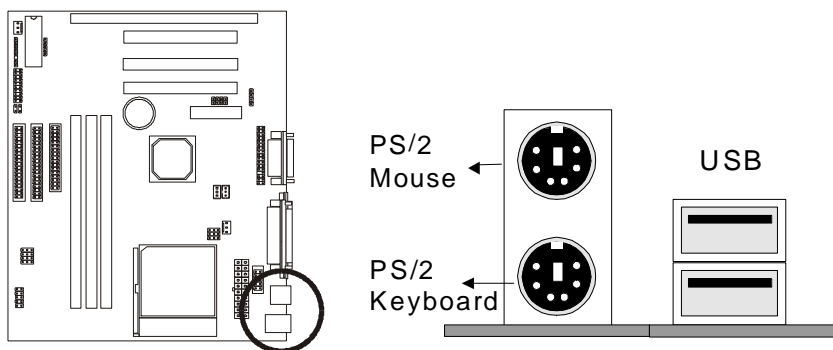
INSTALLATION

USB Connectors

These two connectors permit connection of two USB peripheral devices directly to the system without an external hub.

PS/2 Keyboard and Mouse Connectors

These two connectors are located on the back panel of the mainboard.



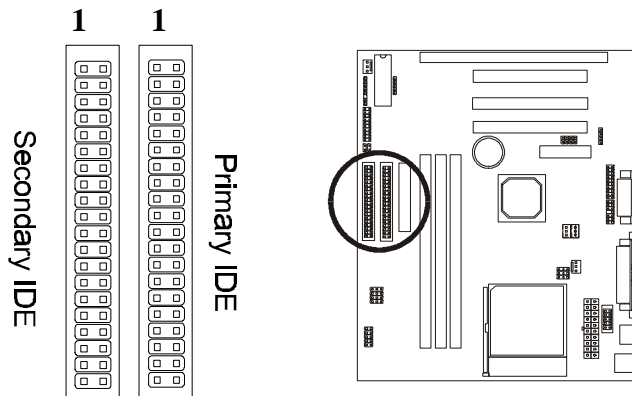
IDE Hard Drives and CD-ROMs

The on-board Enhanced IDE controller can support up to (4) IDE hard drives or other ATAPI devices, such as CD-ROMs. This controller, as with all Enhanced IDE controllers, consists of both Primary and Secondary ports. Each port has an associated connector and cable which can support up to (2) ATAPI devices each.

All IDE devices have jumpers which allow the user to configure the device as either “Master” or “Slave”. A Master device is one that is ALONE on the IDE cable, whereas a Slave device is installed as a SECOND device on the same cable. Keep in mind that the Master device will appear before the Slave device in the CMOS Setup, as well as the Operating System software. *Refer to the device documentation for jumper settings.

The Secondary IDE port can be used for up to (2) additional ATAPI devices. Normally it's recommended that you connect your first hard drive to the Primary port, and the first CD-ROM to the Secondary.

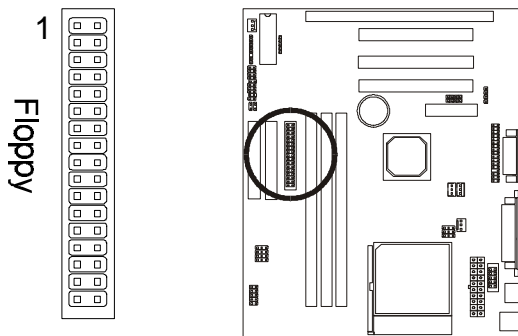
Make sure to align the RED stripe on the ribbon cable with Pin-1 on the mainboard IDE connector. On most hard drives and CD-ROMs, the RED stripe should be oriented towards the power connector of the device.



INSTALLATION

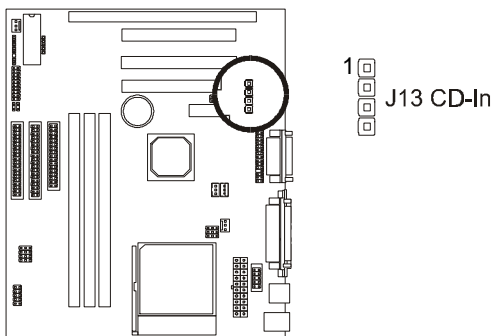
Floppy Drives

The on-board floppy controller supports (2) floppy disk drives with the floppy ribbon cable provided. Make sure the RED stripe on the ribbon cable is oriented towards Pin-1. Notice the “twist” between the sets of connectors on the floppy cable. The floppy drive “A” position is at the END of the cable, whereas floppy drive “B” is hooked to one of the connectors on the other side of the twist. The cable provides both “Edge” and “Pin” connectors for both the A and B positions to match the connector on your floppy drives.



Audio Connector (J13)

A CD Audio connector is available for connecting the CD-ROM drive using CD audio cables. Make sure red lead is oriented toward pin 1.



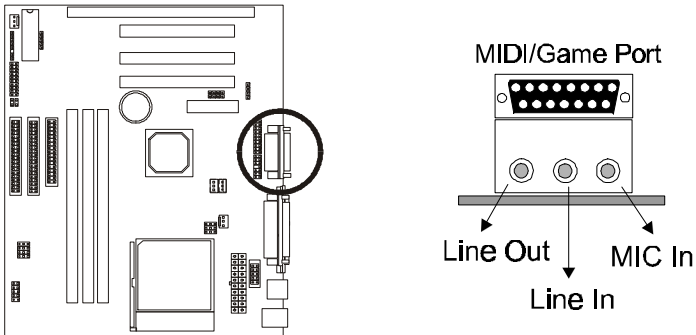
MIDI/Game Port

You may plug a joystick or game pad to this 15-pin female connector for game playing, or connect a MIDI device for playing or editing audio.

* For the mainboard that comes with the front and side panels (optional), the MIDI/game port is not built on the mainboard.

Audio Port

You can connect powered speakers or headphones to Line Out jack. Cassette players or other external audio sources can be connected to Line In jack. Plug in your microphones to MIC jack.



Note:

To use the onboard AC97 audio features, make sure that the “*OnChip Sound*” option in **Chipset Features Setup** of the BIOS is enabled (default) and that the *AC97/MC97 selection jumper* is properly set (Refer to page 13).

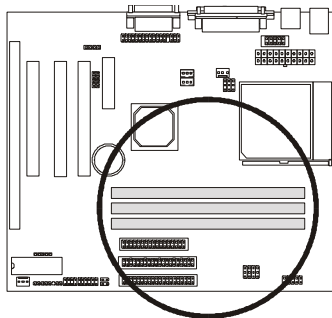
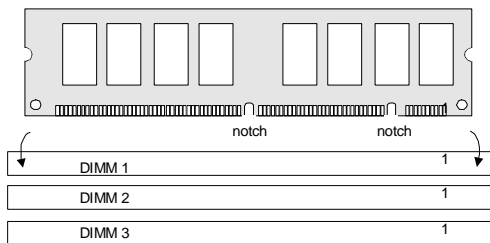
To use the on-chip legacy SoundBlaster-compatible audio support, make sure that the “*Onboard Legacy Audio*” options in **Integrated Peripherals Setup** of the BIOS is set according to your system configuration before driver installation.

INSTALLATION

Installing the Memory Modules (DIMM)

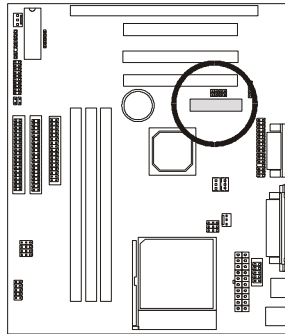
- This mainboard has three sockets available for **168-pin DIMMs**. They can be 3.3 volt Unbuffered Synchronous DRAMs (SDRAM), 3.3 volt FPG or EDO DRAMs.
 - *To ensure reliability, it is recommended to use **PC100 SDRAM** for your 100MHz clocked SDRAM performance requirement.*
 - *Via Apollo MVP4 chipset does not support Register DIMMs.*
- DIMM Sizes supported: **8MB, 16MB, 32MB, 64MB, 128MB and 256MB**
- A total of **(3)** DIMMs can be installed for a maximum RAM capacity of **768MB**.

To insert the DIMMs, the modules must be oriented in the correct way. Notice the notches of the DIMM. Align these notches as shown in the diagram below. Gently push the DIMM until the retainers on both sides of the socket lock the module in place. To remove a DIMM, push the retainers outwards to release the module then pull the module out of the socket.



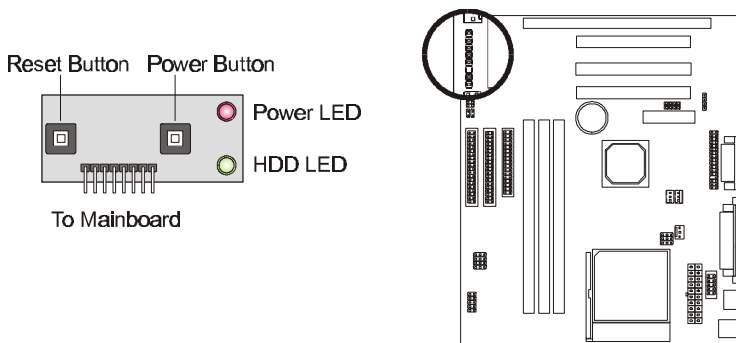
Installing an AMR Card

One AMR (Audio/Modem Riser) standard interface connector is provided for Audio Codec 97 (AC97) and/or Modem Codec 97 (MC97) cards.



Installing the Front and Panel (Optional)

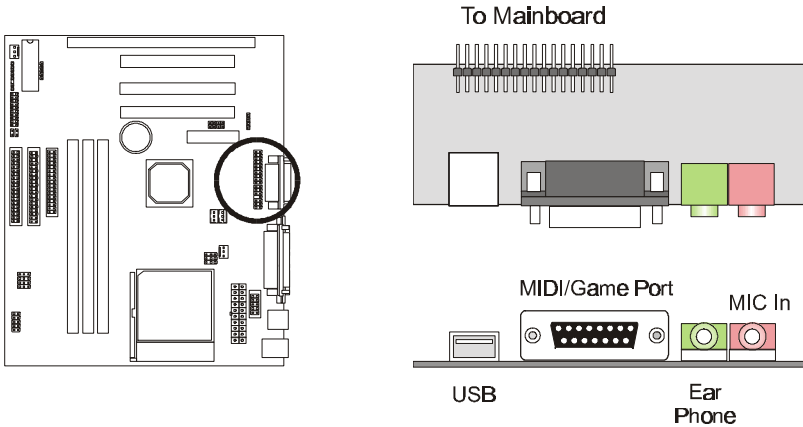
The proprietary Front Panel Connector (J26) is used for connecting to the customized front panel.



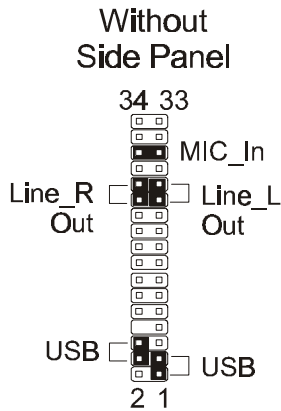
INSTALLATION

Installing the Side Panel (Optional)

The proprietary Side Panel Connector (J27) is used for connecting to the customized side panel.

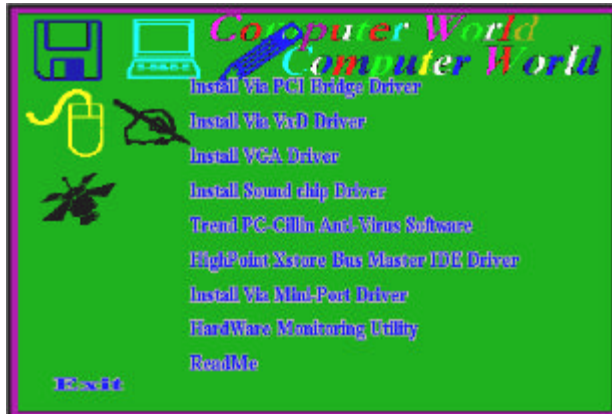


If you are not using a side panel, the J27 connector serves as a jumper block and the setting should be set as illustrated below:



Installing the Support Drivers and Utilities

Included in your mainboard package you can find a CD-ROM containing support drivers and utilities. Just insert the CD-ROM, and from the Autorun screen, click the driver/utility that you want to install. Follow the on-screen instructions to complete the installation.



* The screen may look different under different color mode.

More utilities can be found under the “Utilities” folder of the CD-ROM.

INSTALLATION

Special Note on the Onboard Audio Features

Using the Onboard Audio Features

To use the onboard AC97 audio features, make sure that the “*OnChip Sound*” option in **Chipset Features Setup** of the BIOS is enabled (default) and that the *AC97/MC97 selection jumper* is properly set (Refer to page 13).

To use the on-chip legacy SoundBlaster-compatible audio support, make sure that the “*Onboard Legacy Audio*” options in **Integrated Peripherals Setup** of the BIOS is set according to your system configuration before driver installation.

For Windows NT 4.0

Ensure Windows NT4.0 is up and running properly. Install the audio drivers before Service Pack 4. If Service Pack 4 is installed before the audio drivers, you may not see peripheral devices including the CD-ROM drive due to Service Pack 4 problem.

Special Note on VIA MVP4 and VGA Drivers

Before installing the AGP VGA drivers under Windows 95/98, specific software support must be included in your system first:

Windows 95

- A. Though Windows 95 OSR2.0 supports AGP, it is necessary that you first *upgrade OSR2.0 to OSR2.1 with a USB upgrade* to take full advantage of the AGP features.
- B. To access the advanced 3D features in Windows 95, you also need to first *install the Microsoft DirectX 5.0*.
- C. Then install the following VIA drivers found in the supplied CD-ROM:
 - 1) VIA PCI Bridge driver.
 - 2) VIA Bus Master driver.
 - 3) VIA VxD driver.

Make sure all the above are included in your system before you install the display driver.

Windows 98

Install VIA VxD driver found in the supplied CD-ROM before you install the display driver.

SOFTWARE SUPPORT

For detailed information, please refer to the **BIOS, Driver & Utility Guide** included in your mainboard package.

Mainboard BIOS

Shortly after the system is powered on, provided that the system is properly setup, you will see the message:

Press DEL to enter SETUP

- Press the **DEL** key to enter the Award BIOS Setup program.

The Main Menu will appear on the screen. Use the **arrow keys** to select among the items and press **<Enter>** to accept and enter the sub-menu.

ROM PCI/ISA BIOS (xxxxxxx)
CMOS SETUP UTILITY
AWARD SOFTWARE, INC.

| | |
|-------------------------|---------------------------|
| STANDARD CMOS SETUP | INTEGRATED PERIPHERALS |
| BIOS FEATURES SETUP | SUPERVISOR PASSWORD |
| CHIPSET FEATURES SETUP | USER PASSWORD |
| POWER MANAGEMENT SETUP | IDE HDD AUTO DETECTION |
| PNP / PCI CONFIGURATION | SAVE & EXIT SETUP |
| LOAD BIOS DEFAULTS | EXIT WITHOUT SAVING |
| LOAD SETUP DEFAULTS | |
| Esc : Quit | ↑ ↓ → ← : Select Item |
| F10 : Save & Exit Setup | (Shift) F2 : Change Color |
| | |

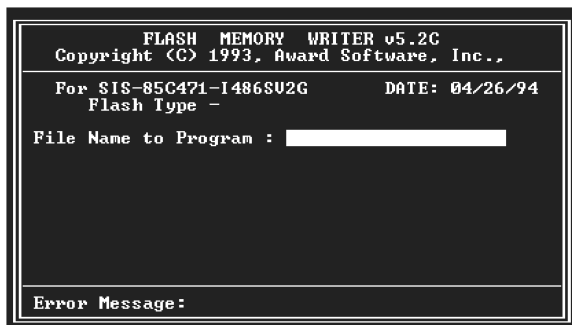
Select **LOAD SETUP DEFAULTS** for optimum system performance.

SOFTWARE SUPPORT

Flash BIOS Programming Utility

Since this mainboard features FLASH BIOS, the user can simply re-program the old BIOS using the AWDFLASH Utility (found under “Utilities” folder of the supplied CD-ROM) as follows:

1. First, boot the system with DOS or to “Safe Mode” under Windows 95. *This is the only correct way to run the AWDFLASH Utility program.*
2. Make sure the files “AWDFLASH.EXE” and the updated “BIN” file (which contains the actual BIOS code) are in the same directory.
3. Changing to the directory where the two required files exist, type: AWDFLASH and press [ENTER]. The AWDFLASH Utility Screen appears:



4. Type in the name of the new BIOS (.bin) file and hit [ENTER].
5. Backup the old BIOS by entering the name of the new backup file (such as “backup.bin”) and press [ENTER].
6. To begin programming, hit “y”. The Utility can be aborted at this time by hitting “n”.
7. A bar indicator will show the progress of the programming operation. After successful completion, hit the reset button or power off the computer.

Be sure to perform “**LOAD SETUP DEFAULTS**” for your new BIOS to synchronize the previous BIOS with the updated BIOS.

Symbios SCSI Configuration Utility

This mainboard features built-in Symbios SCSI BIOS. The **Symbios SCSI Configuration Utility** is a menu driven utility that allows you to view and change the default configuration settings for host adapters using Symbios 53C8XX chips.

In most cases you should not need to change the default configuration of your host adapter. You may decide to alter these default values if there is a conflict between device settings, or if you need to optimize system performance. A message appears on your computer monitor (for about 5 seconds) during boot that looks like this:

Press Ctrl-C to start Symbios Configuration Utility

If you decide to press Ctrl-C during boot, the following message appears:

Please wait, invoking Symbios Configuration Utility ...

After a brief pause, your computer will display the Main Menu of the utility.

Note: Pressing **Ctrl-A** after memory count during re-boot allows you to recover the default settings and reconfigure.

DMI Utility

This mainboard supports the **Desktop Management Interface (DMI)**, which is a new method of providing enterprise management for personal computers. The main component of DMI is the Management Information Format Database (MIF), which contains information about the computer system and its components, such as BIOS version/vendor, CPU speed/type, memory size/type, L1/L2 cache, port connectors (IDE, floppy, 2S/1P, USB, keyboard, mouse,), slots ... etc. Using DMI, remote PC management software is able to obtain various information about the system, including hardware profiles, capabilities, operational status, installation dates, and other information about the system and its components.

This DMI utility, DMICFG.EXE (found under “Utilities” folder of the supplied CD-ROM), allows you to add additional information, such as serial numbers, vendor information, and enclosure/chassis configurations, into the MIF.

FCC & DoC Compliance Statement

This device complies with Part 15 of the FCC rules, operation is subject to the following two conditions.

1. This device may not cause harmful interference and,
2. This device must accept any interference received, including interference that may cause undesired operation.

This equipment has been tested and found to comply with limits for a Class B digital device, pursuant to Part 15 of the FCC rules. These limits are designed to provide reasonable protection against harmful interference in residential installations. This equipment generates, uses, and can radiate radio frequency energy, and if not installed and used in accordance with the instructions, may cause harmful interface to radio communications. However, there is no guarantee that interference will not occur in a particular installation. If this equipment does cause interference to radio or television equipment reception, which can be determined by turning the equipment off and on, the user is encouraged to try to correct the interference by one or more of the following measures:

- Reorient or relocate the receiving antenna.
- Move the equipment away from the receiver.
- Plug the equipment into an outlet on a circuit different from that to which the receiver is connected.
- Consult the dealer or an experienced radio/television technician for additional suggestions.

The FCC requires the user to be notified that any change or modifications to the equipment by the user not expressly approved by the grantee or manufacturer could void the user's authority to operate such equipment. The use of shielded cables for connection of the monitor to the graphics card is required to assure compliance with FCC regulations.



27-0M0586-49