

## **Important Information**

### **Copyright**

This publication, including all photographs, illustrations and software, is protected under international copyright laws, with all rights reserved. Neither this manual, nor any of the material contained herein, may be reproduced without the express written consent of the manufacturer.

### **Disclaimer**

The information in this document is subject to change without notice. The manufacturer makes no representations or warranties with respect to the contents hereof and specifically disclaims any implied warranties of merchantability or fitness for any particular purpose. Further, the manufacturer reserves the right to revise this publication and to make changes from time to time in the content hereof without obligation of the manufacturer to notify any person of such revision or changes.

### **Trademark Recognition**

Microsoft, MS-DOS and Windows are registered trademarks of Microsoft Corp. MMX, Pentium, Pentium-II are a registered trademarks of Intel Corporation. VGA, OS/2, PS/2 are registered trademarks of International Business Machines. Other product names used in this manual are the properties of their respective owners and are acknowledged.

### **Version 1.0**

## **Safety Compliance**

### ***Federal Communications Commission (FCC)***

This equipment has been tested and found to comply with the limits for a Class B digital device, pursuant to Part 15 of the FCC Rules. These limits are designed to provide reasonable protection against harmful interference in a residential installation. This equipment generates, uses, and can radiate radio frequency energy and, if not installed and used in accordance with the instructions, may cause harmful interference to radio communications. However there is no guarantee that interference will not occur in a particular installation. If this equipment does cause harmful interference to radio or television reception, which can be determined by turning the equipment off and on, the user is encouraged to try to correct the interference by one or more of the following measures:

- ◆ Reorient or relocate the receiving antenna.
- ◆ Increase the separation between the equipment and the receiver.
- ◆ Connect the equipment onto an outlet on a circuit different from that to which the receiver is connected.
- ◆ Consult the dealer or an experienced radio/TV technician for help.

Shielded interconnect cables and shielded AC power cable must be employed with this equipment to insure compliance with the pertinent RF emission limits governing this device. Changes or modifications not expressly approved by the system's manufacturer could void the user's authority to operate the equipment.

### **Declaration of Conformity**

This device complies with part 15 of the FCC rules. Operation is subject to the following conditions:

- ◆ This device may not cause harmful interference, and
- ◆ This device must accept any interference received, including interference that may cause undesired operation.

### ***Canadian Department of Communications***

This class B digital apparatus meets all requirements of the Canadian Interference-causing Equipment Regulations.

Cet appareil numérique de la classe B respecte toutes les exigences du Règlement sur le matériel brouilleur du Canada.

# Chapter 1: Introduction

## Welcome

---

Congratulations on your purchase of the P6BX-Me mainboard. The P6BX-Me mainboard complies with the specifications for a microATX motherboard. MicroATX boards are no larger than 9.6" x 9.6" (244mm x 244mm). The microATX form factor permits reduced case sizes and smaller power supply units. However, the board can also be used in standard ATX cases if required. The P6BX-Me includes a SLOT1 for a Pentium-II CPU cartridge using either a 66 MHz or 100 MHz system bus. Principal features of the board are an AGP slot for a graphics adapter and an integrated sound system.

This chapter contains the following information:

- **About the Manual** explains how the information in this manual is organized
- **Checklist** comprises a list of the standard and optional components that are shipped with this mainboard
- **Features** highlights the functions and components that make this one of the best value mainboards on the market

## About the Manual

---

The manual consists of the following chapters:

### *Introduction*

Use the **Introduction** chapter to learn about the features of the mainboard, and the checklist of items that are shipped with the package.

### *Installation*

Use the **Installation** chapter to learn how to install the mainboard and get your system up and running.

### *Setup*

Use the **Setup** chapter to configure the mainboard for optimum performance.

### *Software*

Use the **Software** chapter to learn how to use the software drivers and support programs that are provided with this mainboard.

## Checklist

---

Compare the contents of your mainboard package with the standard checklist below. If any item is missing or appears damaged, please contact the vendor of your mainboard package.

### **Standard Items**

- ✓ 1 x P6BX-Me Mainboard
- ✓ 1 x Cable/Bracket Pack
  - Diskette drive ribbon cable
  - IDE drive ribbon cable
  - Retention Module (for Pentium-II Cartridge)
- ✓ This User's Manual
- ✓ Software Support CD-ROM disc or diskettes

### **Optional Items**

- ✓ System Hardware Monitor IC chip (W83781D)

## Features

---

The P6BX-Me mainboard features a slot-1 Pentium-II processor socket and support for a 100 MHz system bus, plus backward compatible support for a 66 MHz system. This means that the mainboard will support the first generation of Pentium-II processors (clocking from 233 MHz up to 333 MHz) and also the latest generation of Pentium-II processors (clocking from 350 MHz to 450 MHz and beyond).

The P6BX-Me also has an accelerated graphics port (AGP), built-in PCI stereo sound system and three usable expansion slots. In short, the P6BX-Me is a very flexible mainboard that supports a wide range of performance options from low-cost Celeron through to the most powerful PC processor available from Intel.

### *Selectable Performance*

The combination of a slot-1 Pentium-II socket and support for both 66 MHz and 100 MHz system bus means that this system will support all variations of the Pentium-II processor. As well as the low-cost Celeron processor (with no level 2 cache), the board can support the following Pentium-IIs; 233/66, 266/66, 300/66, 333/66, 350/100, 400/100, and 450/100. This board can be configured for entry-level, small office/home

office, mainstream business, and power user performance levels. Changing processor configurations is easily accomplished using firmware settings.

### ***Highly Integrated Design***

The system features a high degree of integration based on the Intel 440BX chipset. The Intel 440BX chipset comprises the 82443BX AGPset and the 82371EB PCIset. Together they provide the system logic for the Pentium-II board with 66 MHz or 100 MHz system bus. Support for a Rev. 1 compliant AGP graphics adapter is provided. In addition, the chipset enables Ultra DMA bus-mastered PCI IDE channels, USB ports, Error Correction Code (ECC) memory modules, and ACPI (advanced configuration and power management interface) functions.

### ***Keyboard Power On Option***

Using the system BIOS settings, you can configure the system to turn on using keyboard hot keys or password. A green keyboard is not required.

### ***Three Memory Sockets***

Unlike many competing ATX-micro mainboards, this board has sockets for three SDRAM memory modules. The sockets support 3.3V 168-pin SDRAM memory modules which can be PC-100 compliant, using a 100 MHz memory bus, or using a 66 MHz memory bus. With standard SDRAM, each socket can support a module with 8, 16, 32, 64, or 128 MB for a maximum capacity of 384 MB. Using Registered SDRAM, the capacity can be doubled to a maximum of 768 MB. The sockets will support memory that has no error correction, memory with EC (error correction) and memory with ECC (error correction code).

### ***Four Usable Expansion Slots***

The board has a total of five expansion slots; one AGP slot for an accelerated graphics port display adapter, two 32-bit PCI slots, and two 8/16-bit ISA slots. However, one of the PCI slots is shared with one of the ISA slots so that only one of the slots can be used at any one time. Since this mainboard has integrated audio, two built-in IDE channels and a floppy disk interface, plus a full set of I/O ports including two USB ports, four usable expansion slots provide enough potential for full system expansion, such as the addition of a network adapter, a fax/modem and so on.

### ***Integrated I/O Ports***

The board features a full set of I/O ports – PS/2 keyboard, PS/2 mouse, parallel, two serial, two USB, Game/MIDI, and audio jacks for stereo in, stereo out, and microphone. Optionally, an infrared port can be installed as an alternative to the second serial port. The ports are arranged in a two-tier array which is supported by standard ATX I/O templates.

### ***Built-in PCI Audio***

The built-in PCI audio chip provides a full duplex sound system that is compatible with the Sound Blaster and Windows Sound standards. It allows simultaneous recording and playback, and can record at CD-quality sampling rates of 44 kHz.

### ***Programmable Firmware***

The mainboard includes Award BIOS which allows BIOS setting of CPU parameters. The fully programmable firmware enhances the system features and allows users to set power management, hardware monitoring (optional), LAN and Modem wake up alarms, and so on.

### ***Optional Hardware Monitoring***

The Winbond W83781D hardware monitoring chip can be specified as a factory installed option. This chip can provide hardware monitoring of critical internal temperatures and voltages. This option is useful for large scale network administration and diagnostic routines. The optional thermal detector, which interacts with the W83781D monitoring chip, gives accurate information on the actual temperature of the Pentium-II processor module in Slot-1. This option is useful for large-scale network administration and diagnostic routines.

## Chapter 2: Installation

### Before You Begin

---

Before you begin to install your P6BX-Me mainboard, take some precautions to ensure that you avoid the possibility of damage to the product from static electricity. Ensure too that you are installing the mainboard into a suitable case.

#### ***Static Electricity***

In adverse conditions, static electricity can accumulate and discharge through the integrated circuits and silicon chips on this product. These circuits and chips are sensitive and can be permanently damaged by static discharge.

- ◆ If possible wear a grounding wrist strap clipped to a safely grounded device during the installation.
- ◆ If you don't have a wrist strap, discharge any static by touching the metal case of a safely grounded device before beginning the installation.
- ◆ Leave all components inside their static-proof bags until they are required for the installation procedure.
- ◆ Handle all circuit boards and electronic components carefully. Hold boards by the edges only. Do not flex or stress circuit boards.

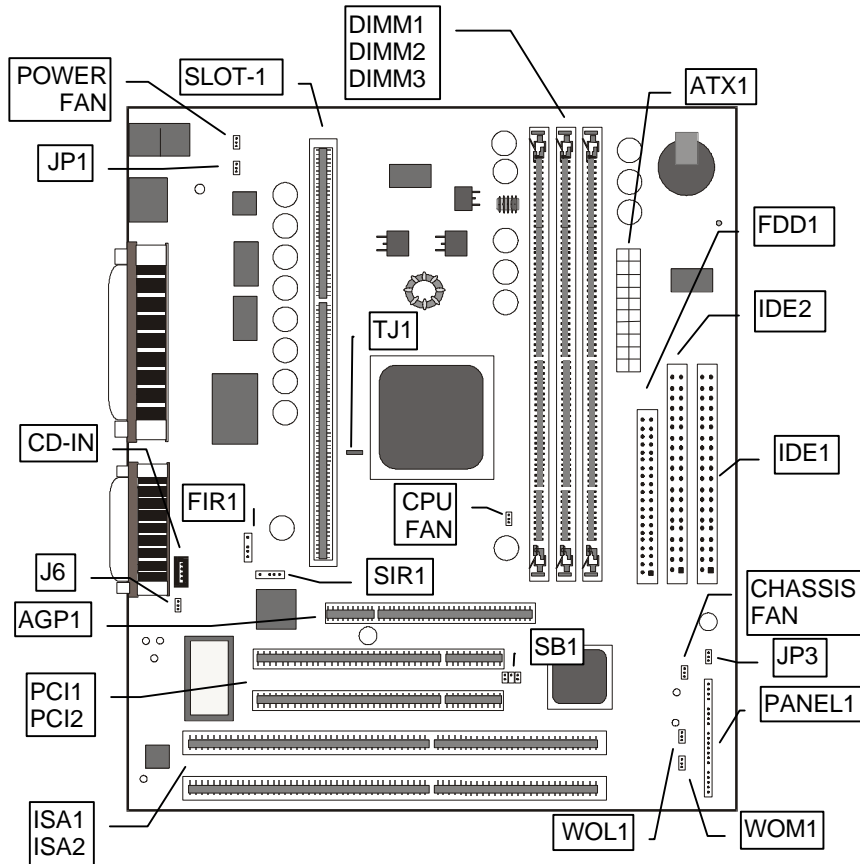
#### ***Choosing a Case***

The P6BX-Me mainboard has a power connector for an ATX power supply. Ensure that your system is installed with an ATX power unit. The mainboard complies with the specifications for the micro-ATX system case, although it can also be installed in most full-size ATX case designs. The micro-ATX specifications include a maximum size of 9.6" x 9.6" (244mm x 244mm), a reduced number of expansion slots, and support for a smaller power supply unit.

Some features on the mainboard are implemented by cabling connectors on the mainboard to indicators and switches on the system case. Ensure that your case supports all the features required. The P6BX-Me mainboard can support one or two floppy diskette drives and four enhanced IDE drives. Ensure that your case has sufficient power and space for all the drives that you intend to install.

## Mainboard Guide

Use the following illustrations and key to identify the principal components on your mainboard.



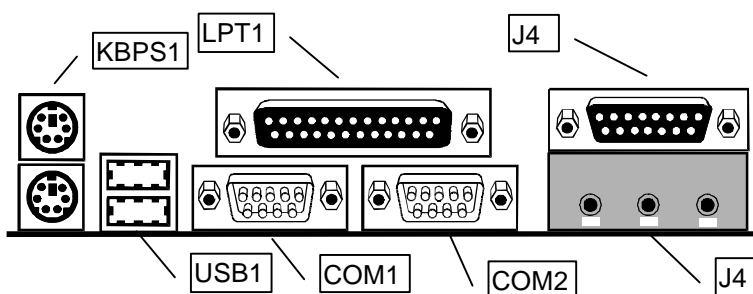
### Key to Mainboard Components

Component	Description
ISA1, ISA2	2 x 8/16-bit expansion slots
PCI1, PCI2	2 x 32-bit expansion slots
SLOTT-1	Slot for CPU cartridge
DIMM 1,2,3	3 x slots for 168-pin memory modules
AGP1	Slot for AGP graphics adapter
CPU FAN	Power for CPU cartridge cooling fan
CHASSIS FAN	Power for chassis cooling fan
POWER FAN	Power for power supply unit cooling fan



ATX1	Connector for ATX power supply
PANEL1	Connectors for case switches and indicators
FDD1	Connector for floppy disk drives
IDE1	Primary IDE channel
IDE2	Secondary IDE channel
SIR1	Connector for infrared option
WOL1	Wake on LAN connector
WOM1	Wake on modem connector
CD-IN	Connector for CD-ROM drive audio
JP1	Keyboard power on jumper
JP3	Clear CMOS memory jumper
J6	Auxiliary connector for CD-ROM drive audio
TJ1	Thermistor Junction (optional) thermal detector for processor module

### Side View of the I/O Ports



### Key to I/O Port Components

Component	Description
KBPS1	Upper PS/2 port for mouse, lower PS/2 port for keyboard
LPT1	Parallel Port (Bidirectional, EPP, ECP)
J4 (Upper)	Game/MIDI port for joystick or MIDI device
J4 (Lower)	Audio Jacks for Stereo Out, Stereo In, Microphone
COM2	Serial port for COM2 or COM4
COM1	Serial port for COM1 or COM 3
USB1	Two Universal Serial Bus ports

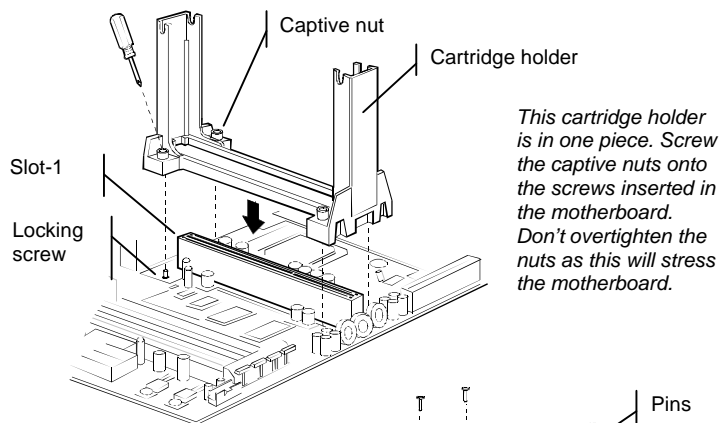
## Preparing the Mainboard

Prepare the mainboard by installing the supplied Pentium-II cartridge holder. Then install the Pentium-II cartridge according to the instructions supplied with the cartridge. Complete the processor installation by installing the supplied heat-sink support (if supplied), and connecting the heat sink power cable to the mainboard connector.

After the processor cartridge is installed, insert your memory modules into the DIMM sockets on the mainboard. Finish the mainboard preparation by checking that the two jumpers (keyboard power on enable/disable, and clear CMOS memory) are at the correct setting.

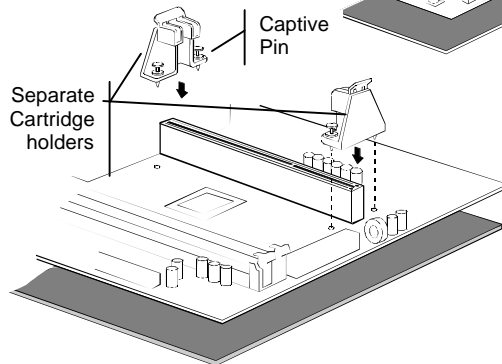
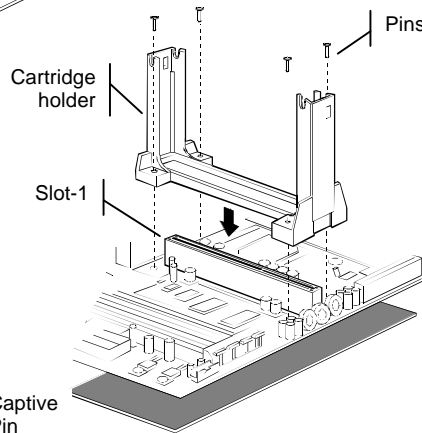
### **Install the Pentium-II Processor**

1. This motherboard is supplied with a cartridge holder for the Pentium-II or Celeron processor cartridge. Several different kinds of cartridge holders are available. The illustration below shows how three of the most typical holders are installed.



*This cartridge holder is in one piece. Screw the captive nuts onto the screws inserted in the motherboard. Don't overtighten the nuts as this will stress the motherboard.*

*This cartridge holder is in one piece. Place the motherboard on a foam plastic mat and then secure the holder in place by pushing the plastic pins through the holder and through the holes in the motherboard.*



*This cartridge holder is in two pieces. Place the motherboard on a foam plastic mat and then secure the holder in place by pushing the captive plastic pins through the holes in the motherboard.*

2. Some cartridge holders also include a support bar for the heat sink. This bar installs to the side of the cartridge holder. Some Pentium-II processors have support struts for the heat sink which lock into the support bar. The documentation with the Pentium-II processor shows how to do this.
3. Follow the instructions given with your Pentium cartridge to install the processor cartridge into the cartridge holder.
4. If necessary, connect the power cable from the cartridge cooling fan to the mainboard CPU fan power supply CPU FAN.

*Note: The P6BX-Me does not use jumpers to set the parameters for your processor, such as the core voltage, the clock multiplier, and so on. You can set the parameters for the processor in firmware using the system BIOS. After your system is installed, the BIOS will automatically detect the kind of processor that is installed and implement the correct setting for it. See the next chapter for details.*

### **Install the Memory Modules**

For this mainboard, you must use 168-pin Dual In-line Memory Modules (DIMMs) which are installed with SDRAM (Synchronous Dynamic Random Access Memory). This mainboard supports 3.3 volt DRAMs operating over a 66 MHz memory bus, and it will also support PC-100 compliant memory which operates over a 100 MHz memory bus. If you are installing a processor which runs using a 100 MHz bus, you must use PC-100 compliant memory.

You can install one, two or three modules, and each module can have a capacity of up to 128 MB for standard SDRAM. If you use registered DRAM, the capacity of the modules can be doubled to 256 MB. All the memory modules that you install must be of the same kind. If you only install one memory module, install it in DIMM socket 1. If you install two modules, install them in DIMM sockets 1 and 2.

1. The SDRAM sockets are keyed with notches and the DIMMs are keyed with cut-outs so that they can only be installed correctly. Check that the cut-outs on the DIMM edge connector matches the notches in the SDRAM socket.
2. Push the latches on each side of the SDRAM socket down.
3. Install the DIMM into the socket and press it carefully but firmly down so that it seats correctly. The latches at either side of the socket will be levered upwards and latch on the edges of the DIMM when it is installed correctly.

### **Check the two Jumper Settings**

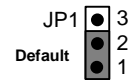
This mainboard only has two jumpers. For most systems the factory defaults will be the correct configuration. Before you install the mainboard, take a moment to check that the two jumpers are at the correct setting.

**A Note on Jumpers**

A jumper consists of two or more pins mounted on the mainboard. Some jumpers might be arranged in a series with each pair of pins numbered differently. Jumpers are used to change the electronic circuits on the mainboard. When a jumper cap is placed on two jumper pins, the pins are **SHORT**. If the jumper cap is removed (or placed on just a single pin) the pins are **OPEN**.

1. Locate the Keyboard Power On Enable/Disable jumper JP1. This jumper lets you set KB power source is standby voltage of 5V or Vcc. The standby voltage of 5V is required if you want to use the keyboard power on feature. The keyboard power on feature can be turned on using the system BIOS. See the next chapter for more information.

Function	Jumper Cap
5V standby (enable keyboard power on)	Short Pins 1-2
Vcc (disable keyboard power on)	Short pins 2-3

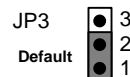


If your system case has a Green Indicator lamp connected to the Green LED connector on the PANEL1 connector, the operation of the Green indicator will change according to the setting of the Keyboard Power On Jumper. The Green indicator lamp will behave as follows:

System State	KB Power On Enabled	KB Power On Disabled	Description
Soft Power Off	Green LED On	Green LED Off	The ATX power supply is On, but the mainboard is on 5V standby
Power On	Green LED On	Green LED On	The ATX power supply is On and the mainboard is On
Suspend Mode	Green LED Flashes	Green LED Flashes	The system is suspended, either by the suspend switch connected to the PANEL1 connector, or the suspend button in Windows OS
Power Off	Green LED Off	Green LED Off	System is completely powered down with ATX power supply Off

2. Locate the Clear CMOS jumper JP3. Ensure that the jumper cap is placed on pins 1-2. If you ever need to clear the system CMOS memory, you can do this by moving the jumper cap to short pins 2-3 for a few seconds. When you clear the CMOS memory, the system must be turned off and the ATX power supply cable must be disconnected from the ATX power connector on the mainboard.

Function	Jumper Cap
Clear CMOS	Short Pins 2-3
Normal Operation	Short pins 1-2



## Install the Mainboard in the System Case

Use the screws and mounting brackets supplied with your system case to install the mainboard. Follow the instructions provided by the case manufacturer.

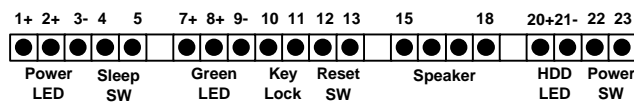
### Connect Devices, Switches and Indicators to the Mainboard

*Note: You might not need to carry out every step in the following procedure. It depends on the options you are installing, and the features that are supported by your system case.*

*Note: Ribbon cables are usually keyed so that they can only be installed correctly on the device connector. Each connector has the pin-1 side clearly marked. The pin-1 side of each ribbon cable is always marked with a red stripe on the cable.*

#### Part One – Internal Connections

1. Locate the floppy diskette drive connector FDD1. Use the ribbon cable to connect the floppy diskette drive to the mainboard.
2. Locate the Enhanced IDE connectors IDE1 (primary) and IDE2 (secondary). A single IDE cable is provided with the mainboard. Connect the cable to IDE1. The cable has two connectors for IDE devices. If you connect two devices, you must configure one device as Master, and one device as Slave. See the documentation provided with the devices for information on this. If you need to install more drives, obtain another IDE cable and connect one or two devices to IDE2 following the same procedure as you used with IDE1.
3. Locate the bank of switch and indicator connectors PANEL1. These connectors provide control functions to your system case. Use the illustration below and the following table to make the connections.



Function	Pins
Power LED	+1, +2, 3
Sleep Switch	4, 5
Green LED	+7, +8, 9
Key Lock	10, 11
Reset Switch	12, 13
Speaker	+15, 16, 17, 18
Hard Disk LED	+20, 21
Power Switch	+22, 23

4. Locate the ATX power connector ATX1. Connect the cable from your system ATX power supply into the connector. The connector is keyed so that it can only be installed correctly.
5. Install expansion cards into the expansion slots. The system will not operate without a display adapter. If you have an AGP display adapter, you can use the dedicated AGP1 slot. You can use the two ISA slots, and the two PCI slots to install a variety of expansion cards in your system, such as a network adapter, a SCSI host adapter, an internal modem card, and so on. ISA slot 1 and PCI slot 2 are shared. This means that you can use one of these slots, but not both of them at the same time.

## Part Two – Optional Internal Connections

You may install optional items such as an infrared port. If you have installed a network adapter or an internal modem, you can use the wake-up connectors so that your system will automatically resume from a power-saving mode when there is incoming network or modem traffic.

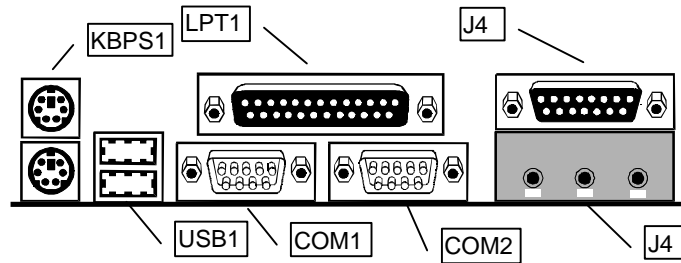
1. Locate the infrared connector SIR1 (Standard Infrared). Use the cable provided with the infrared device to connect to the IR connector. Secure the infrared device to the appropriate space in the system case.

*Note: If you install an infrared port, it must share a COM port assignment with the second external serial port COM2. You can select which port is in use by using the setup utility.*

2. If you have installed a network adapter, connect the cable from the network adapter to the Wake on LAN connector WOL1. This will enable your system to resume from a power saving mode when there is network traffic. When you use the LAN wake up function, you must make sure that the 5V standby current from the power supply is more than 700mA.
3. If you have installed an internal modem, connect the cable from the internal modem to the Wake on Modem Connector WOM1. This will enable your system to resume from a power saving mode when there is an incoming call to the modem.
4. You may install extra cooling fans. Some ATX power units have a cooling fan. You can connect this to the ATX cooling fan power connector POWER FAN. If you have a case mounted fan, you can connect it to the case cooling fan power connector CHASSIS FAN.
5. If you install a CD-ROM drive in your system, you can connect the audio output of the CD-ROM drive to the audio system integrated on the mainboard. Connect the CD-ROM drive audio cable to the CD-audio connector CD-IN. If the connector from the CD-ROM is not compatible with CD-IN, you can use the auxiliary CD-audio connector J6.

### Part Three – External Connections

After you have installed the mainboard and completed the internal connections, you can use the external connectors to attach peripheral devices to your system



1. KBPS1 is two stacked PS/2 ports. The upper port can be used by a PS/2 mouse or pointing device. The lower port can be used by a PS/2 keyboard.
2. USB1 is a stack of two universal serial bus (USB) ports. Some peripheral devices now use the USB interface to take advantage of its faster transmission, and the fact that many devices can be “daisy chained” on a single cable.
3. COM1 is a serial port which can be used by serial devices such as a mouse, a fax/modem and so on. Your system identifies this serial port as COM1 or COM3
4. COM2 is a second serial port. Your system identifies this serial port as COM2 or COM4.

*Note: If you install an infrared port, it must share a COM port assignment with the second external serial port COM2. You can select which port is in use by using the setup utility.*

5. J4 (lower) is a set of three audio jacks. The left jack is for Stereo-out and can be connected to speakers, headphones, and so on. The middle jack is for Stereo-in and can be used to input audio from external devices such as a radio or tape player. The right jack is for a microphone.
6. J4 (upper) is a Game/MIDI port. You can use this port to connect to a joystick device or a MIDI device such as a MIDI keyboard or synthesizer. The port will auto detect which kind of device is connected.
7. LPT1 is a parallel port which can be used by printers or other parallel communications devices. Your system identifies the parallel port as LPT1

## Chapter 3: Setup

### About the Setup Utility

---

This chapter explains how to use and modify the BIOS setup utility that is stored on the mainboard. The setup utility stores information about the mainboard components, and the configuration of other devices that are connected to it. The system uses this information to test and initialize components when it is started up, and to make sure everything runs properly when the system is operating.

The setup utility is installed with a set of default values. The default values are designed to ensure that the system will operate adequately. You will probably have to make changes to the setup utility whenever you add new components to your system such as new disk drives. You may be able to generate increased performance by changing some of the timing values in the setup, but this can be limited by the kind of hardware you are using, for example the rating of your memory chips. In certain circumstances, the system may generate an error message which asks you to make changes to the setup utility. This happens when the system finds an error during the POST (power on self test) that it carries out at start up.

#### ***Starting the Setup Utility***

You can only start the setup utility shortly after the computer has been turned on. A display which says *Press DEL to run Setup*. When you press the **Delete** key, the main menu of the utility.

#### ***Using the Setup Utility***

Press the **Delete** key to start setup, the main menu of the utility appears.

A highlight shows which option is currently selected. You can use the cursor to move between options. You can execute the option by pressing the **Enter** key.

Some options lead to dialog boxes which ask you to verify that that you wish to execute the option. You can answer **Y** for yes and **N** for no.

Some options lead to dialog boxes which ask for more information. Setting the User Password option will have this kind of dialog box.



ROM PCI/ISA BIOS (P6BX-Me)  
 CMOS SETUP UTILITY  
 AWARD SOFTWARE, INC.

STANDARD CMOS SETUP	INTEGRATED PERIPHERALS
BIOS FEATURES SETUP	SUPERVISOR PASSWORD
CHIPSET FEATURES SETUP	USER PASSWORD
POWER MANAGEMENT SETUP	IDE HDD AUTO DETECTION
PNP/PCI CONFIGURATION	SAVE & EXIT SETUP
LOAD BIOS DEFAULTS	EXIT WITHOUT SAVING
LOAD OPTIMUM SETTINGS	
Esc : Quit	↑ ↓ → ← : Select Item
F10 : Save & Exit Setup	(Shift)F2 : Change Color

Some options lead to tables of items. These items usually have a value on the right side. The value of the first item is highlighted, and you can use the cursor arrow keys to select any of the other values in the table of items. When an item is highlighted, you can change the value by pressing the **PageUp** or **PageDown** keys, or the **Plus** or **Minus** keys. The **PageUp** and **Plus** keys cycle forward through the available values, the **PageDown** and **Minus** keys cycle backwards through the values.

When you are in the main menu, you can exit the utility by pressing the **Escape** key. You can save the current selections and exit the utility by pressing the **F10** key. You can change the color scheme of the utility by pressing the **F2** key while holding down the **Shift** key.

When you are in one of the options that displays a dialog box, you can return to the main menu by pressing the **Escape** key.

When you are in one of the options that displays a table of items, you can return to the main menu by pressing the **Escape** key. For some items, you can display a help message by pressing the **F1** key. You can change the color scheme of the utility by pressing the **F2** key while holding down the **Shift** key. You can press **F5** to discard any changes you have made and return all items to the value that they held when the setup utility was started. You can press **F6** to load the displayed items with a standard list of default values. You can press **F7** to load the displayed items with a high-performance list of default values.

## Standard CMOS Setup Option

This option displays a table of items which defines basic information about your system.

ROM PCI/ISA BIOS (P6BX-Me)  
STANDARD CMOS SETUP  
AWARD SOFTWARE, INC.

Date (mm:dd:yy) : Thu, Aug 13 1998								
Time (hh:mm:ss) : 11 : 29 : 42								
HARD DISKS	TYPE	SIZE	CYLS	HEAD	PRECOMP	LANDZ	SECTOR	MODE
Primary Master	: Auto	0	0	0	0	0	0	NORMAL
Primary Slave	: Auto	0	0	0	0	0	0	NORMAL
Secondary Master	: Auto	0	0	0	0	0	0	NORMAL
Secondary Slave	: Auto	0	0	0	0	0	0	NORMAL
Drive A : 1.44M, 3.5 in.								
Drive B : None								
Floppy 3 Mode Support : Disabled								
Video : EGA/UGA		Base Memory:		0K				
Halt On : All Errors		Extended Memory:		0K				
		Other Memory:		512K				
		Total Memory:		512K				
ESC : Quit	↑ ↓ → ← : Select Item	PU/PD/+/- : Modify						
F1 : Help	(Shift)F2 : Change Color							

### **Date and Time**

The Date and Time items show the current date and time held by your computer. If you are running a Windows operating system, these items will automatically be updated whenever you make changes to the Windows Date and Time Properties utility.

### **Hard Disks**

### **Defaults: Auto**

These items show the characteristics of any hard disk drives on the four available IDE channels. (Note that SCSI hard disk drives do not appear here.) You can automatically install most modern hard disks using the IDE HDD Auto Detect Option from the main menu. However, if you find that a drive cannot be automatically detected, you can use these items to select USER, and then manually enter the characteristics of the drive. The documentation provided with your drive provides the data you need to fill in the values for CYLS (cylinders), HEAD (read/write heads), and so on.

The documentation provided with the drive may not tell you what value to use under the MODE heading. If the drive is smaller than 528 MB, set MODE to Normal. If the drive is larger than 528 MB and it supports Logical Block Addressing, set MODE to LBA. Very few high-capacity drives do not support Logical Block Addressing. If you have such a drive, you might be able to configure it by setting the MODE to Large. If you're not sure which MODE setting is required by your drive, set MODE to Auto and let the setup utility try to determine the mode automatically.

### **Drive A and Drive B**

### **Default: 1.44M, 3.5 in., None**

These items define the characteristics of any diskette drive attached to the system. You can connect one or two diskette drives.

---

**Floppy 3 Mode Support****Default: Disabled**

Floppy 3 mode refers to a 3.5" diskette with a capacity of 1.2 MB. Floppy 3 mode is sometimes used in Japan.

---

**Video****Default: EGA/VGA**

This item defines the video mode of the system. This mainboard has a built-in VGA graphics system so you must leave this item at the default value.

---

**Halt On****Default: All Errors**

This item defines the operation of the system POST (Power On Self Test) routine. You can use this item to select which kind of errors in the POST are sufficient to halt the system.

---

**Base, Extended and Other Memory.**

These items show how much memory is available on the system. They are automatically detected by the system so you cannot manually make changes to these items.

---

## BIOS Feature Setup Option

---

This option displays a table of items which defines more advanced information about your system. You can make modifications to most of these items without introducing fatal errors to your system.

ROM PCI/ISA BIOS (P6BX-Me)  
BIOS FEATURES SETUP  
AWARD SOFTWARE, INC.

CPU Internal Core Speed	: 350MHz	Video BIOS Shadow	: Enabled
Virus Warning	: Disabled	C8000-CBFFF Shadow	: Disabled
CPU L1 Cache	: Enabled	CC000-CFFFF Shadow	: Disabled
CPU L2 Cache	: Enabled	D0000-D3FFF Shadow	: Disabled
CPU ECC Function	: Disabled	D4000-D7FFF Shadow	: Disabled
Quick Power On Self Test	: Enabled	D8000-DBFFF Shadow	: Disabled
Boot From LAN First	: Enabled	DC000-DFFFF Shadow	: Disabled
Boot Sequence	: A,C,SCSI		
Swap Floppy Drive	: Disabled		
Boot Up NumLock Status	: On		
Gate A20 Option	: Fast		
Security Option	: Setup		
PCI/UGA Palette Snoop	: Disabled		
OS Select For DRAM > 64MB	: Non-OS2	ESC : Quit	↑↓←→ : Select Item
HDD S.M.A.R.T. capability	: Disabled	F1 : Help	PU/PD/+/- : Modify
Report No FDD For WIN 95	: No	F5 : Old Values (Shift)	F2 : Color
		F6 : Load BIOS Defaults	
		F7 : Load Optimum Settings	

---

**CPU Internal Core Speed****Default: 350 MHz**

This item should be installed with the rated internal core speed of the Pentium-II class processor that is installed in your system. The setup utility will then automatically configure the system with the correct host bus speed, and bus frequency multiplier.

If you set this item to Manual, two new items will appear: CPU Host BUS Frequency and CPU Core:Bus Freq. Multiple. You can use these two items to manually configure the mainboard for the speed of the processor. The values available in these two items will vary, according to the kind of Pentium-II processor that is installed.

***Note:** Using the three items above, you can configure the mainboard so that it runs a processor faster than the rated clock speed. We strongly recommend that you do not overclock the processor. Overclocking can introduce excess heat, recurring instability, or even complete failure in your system.*

---

**Virus Warning****Default: Disabled**

When this item is enabled it provides some protection against viruses which try to write to the boot sector and partition table of your hard disk drive. This item is disabled as a default so that you can install an operating system. We recommend that you enable Virus Warning as soon as you have installed your disk with an OS.

---

**CPU L1 Cache****Default: Enabled**

All the processors that can be installed in this mainboard use internal (level 1) cache memory to improve performance. Leave this item at the default value Enabled for better performance.

---

**CPU L2 Cache****Default: Enabled**

Most of the processor cartridges that can be installed in this mainboard have (level 2) external cache memory (the Celeron is an exception). Only enable this item if your processor cartridge has external cache memory.

---

**CPU ECC Function****Default: Disabled**

This board supports memory modules which have ECC (Error Correction Code) error checking. If your memory modules have this function, enable this item.

---

**Quick Power On Self Test****Default: Enabled**

You can enable this item to shorten the power on testing and have your system start up a little faster. You might like to enable this item after you are confident that your system hardware is operating smoothly.

---

**Boot from LAN First****Default: Enabled**

Enable this item if the system is part of a network and you want the machine to remote boot an OS from a network server.

---

**Boot Sequence****Default: A,C,SCSI**

This item defines where the system will look for an operating system, and the order of priority. You can boot an operating system from many locations including a SCSI device, a ZIP drive, a floppy diskette drive or an LS-120 high-capacity diskette drive.

---

**Swap Floppy Drive****Default: Disabled**

If you have two floppy diskette drives in your system, this item allows you to swap around the assigned drive letters so that drive A becomes drive B, and drive B becomes drive A.

---

**Boot Up NumLock Status****Default: On**

This item defines if the keyboard Num Lock key is active when your system is started.

---

**Gate A20 Option****Default: Fast**

This option provides compatibility with older software written for the 286 processor. Leave this item at the default value Fast.

---

**Security Option****Default: Setup**

If you have installed password protection, this item defines if the password is required at system start up, or if it is only required when a user tries to enter the setup utility.

---

**PCI/VGA Palette Snoop****Default: Disabled**

This item is designed to overcome some problems that can be caused by some non-standard VGA cards.

---

**OS Select For DRAM > 64 MB****Default: Non-OS2**

This item is only required if you have installed more than 64 MB of memory and you are running the OS/2 operating system. Otherwise, leave this item at the default Non-OS2.

---

**HDD S.M.A.R.T capability****Default: Disabled**

SMART is an industry acronym for Self-monitoring, Analysis and Reporting Technology. If the documentation of your hard disk states that SMART is supported, you can enable this item.

---

**Report No FDD For WIN 95****Default: No**

If you set this item to Yes, the floppy diskette drive will not appear in the Windows 95 desktop. This can be used as a security measure.

---

**Video BIOS Shadow****Default: Enabled**

This item allows the video BIOS to be copied to system memory for faster performance.

---

**XXXXX-XXXXX Shadow****Default: Disabled**

These items allow the BIOS of other devices to be copied to system memory for faster performance.

---

## Chipset Features Option

---

This option displays a table of items that define critical timing parameters of the mainboard components including the CPU, the memory, and the system logic.

As a general rule, you should leave the items on this page at their default values unless you are very familiar with the technical specifications of your system hardware. If you change the values, or load the optimum settings, you may introduce fatal errors or recurring instability into your system. The item list below shows only the default values for some items.

ROM PCI/ISA BIOS (P6BX-Me)  
 CHIPSET FEATURES SETUP  
 AWARD SOFTWARE, INC.

Auto Configuration	: Enabled		
EDO DRAM Speed Selection	: 60ns		
EDO CAS# MA Wait State	: 2		
EDO RAS# Wait State	: 1		
SDRAM RAS-to-CAS Delay	: 3		
SDRAM RAS Precharge Time	: 3		
SDRAM CAS latency Time	: 3		
SDRAM Precharge Control	: Disabled		
DRAM Data Integrity Mode	: Non-ECC		
System BIOS Cacheable	: Disabled		
Video BIOS Cacheable	: Disabled		
Video RAM Cacheable	: Disabled		
8 Bit I/O Recovery Time	: 1		
16 Bit I/O Recovery Time	: 1		
Memory Hole At 15M-16M	: Disabled		
Passive Release	: Enabled	ESC : Quit	↑↓+ : Select Item
Delayed Transaction	: Disabled	F1 : Help	PU/PD/+/- : Modify
AGP Aperture Size (MB)	: 64	F5 : Old Values (Shift)	F2 : Color
Clock Spread Spectrum	: Enabled	F6 : Load BIOS Defaults	
		F7 : Load Optimum Settings	

**Auto Configuration** **Default: Enabled**

Leave this item at the default value Enabled. This will automatically install the correct values for the EDO RAM memory timing in the following items; *EDO CAS# MA Wait State, and EDO RAS# Wait State.*

**EDO DRAM Speed Selection** **Default: 60ns**

This item sets the timing for the system DRAM in the DRAM timing registers. The default value of 60ns ensures reliability if slower DRAM is installed.

**SDRAM RAS-to-CAS Delay** **Default: 3**

For SDRAM, this item defines the relative delay between the row and column address strobes. The default value of 3 cycles ensures reliability if slower DRAM is installed.

**SDRAM RAS Precharge Time** **Default: 3**

For SDRAM, this item defines the length of time for the Row Address Strobe to precharge. The default value of 3 cycles ensures reliability if slower DRAM is installed.

**SDRAM CAS latency Time** **Default: 3**

For SDRAM, this item defines the latency time for the Column Address Strobe. The default value of 3 cycles ensures reliability if slower DRAM is installed.

**SDRAM Precharge Control** **Default: Disabled**

This item allows the BIOS to control the SDRAM Precharge timing. Leave this item at the default value Disabled

**DRAM Data Integrity Mode** **Default: Non-ECC**

For DRAM, use this item to define if the installed memory supports ECC (Error Correction Code) or not.

**System BIOS Cacheable** **Default: Disabled**

**Video BIOS Cacheable** **Default: Disabled**

These two items allow the system and video BIOS to be cached for faster performance. We recommend that you leave these items at the default value Disabled.

---

**Video RAM Cacheable** **Default: Disabled**

This item permits the video memory to be cached for faster performance. We recommend that you leave this item at the default value Disabled.

---

**8 Bit I/O Recovery Time** **Default: 1****16 Bit I/O Recovery Time** **Default: 1**

These two items set timing parameters for 8-bit and 16-bit ISA expansion cards. We recommend that you leave these items at the default value 1.

---

**Memory Hole at 15M-16M** **Default: Disabled**

This item can be used to reserve memory space for some ISA cards that require it. We recommend that you leave this item at the default value Disabled.

---

**Passive Release** **Default: Enabled**

When Enabled, CPU to PCI bus accesses are allowed during passive release.

---

**Delayed Transaction** **Default: Disabled**

This chipset has an embedded 32-bit write buffer to support delay transaction cycles. Enable this item to provide compliance with the PCI Ver. 2.1 specification.

---

**AGP Aperture Size (MB)** **Default: 64**

This item defines the size of the aperture if you use an AGP graphics adapter. It refers to a section of the PCI memory address range dedicated for graphics memory.

---

**Clock Spread Spectrum** **Default: Enabled**

When this item is enabled, it can significantly reduce the EMI (electrical magnetic interference) that your system generates.

---

## Power Management Setup Option

---

This option displays a table of items which lets you control the power management of the system. Modern operating systems take care of much of the routine power management. This mainboard supports ACPI (advanced configuration and power interface).

This system supports three levels of power-saving modes; doze mode, standby mode, and suspend mode. Standby mode uses less power than doze mode and suspend mode uses the least power.

The power management in the setup utility lets you specify a timeout for each of the power-saving modes, and a timeout for a hard disk drive power down. A timeout, means a period of time when the system (or the hard disk drive) is inactive. If the timeout completes, the system power-saving mode will execute, or the hard disk drive will power down. You can resume from the power-saving modes by carrying out any of the activities which are enabled in the list **\*\*Reload Global Timer Events\*\***. If the hard disk has been powered down it will automatically resume to full power when an access to the hard disk is required (this takes just a few seconds).

ROM PCI/ISA BIOS (P6BX-Me)  
POWER MANAGEMENT SETUP  
AWARD SOFTWARE, INC.

ACPI function	: Enabled	** Reload Global Timer Events **	
Power Management	: Min Saving	IRQ13-7,9-151,NMI	: Disabled
Video Off Method	: V/H SYNC+Blank	Primary IDE 0	: Disabled
Video Off After	: Standby	Primary IDE 1	: Disabled
MODEM Use IRQ	: 3	Secondary IDE 0	: Disabled
Doze Mode	: Disable	Secondary IDE 1	: Disabled
Standby Mode	: Disable	Floppy Disk	: Disabled
Suspend Mode	: Disable	Serial Port	: Enabled
HDD Power Down	: Disable	Parallel Port	: Disabled
Throttle Duty Cycle	: 62.5%		
UGA Active Monitor	: Disabled		
Soft-Off by PWR-BTIN	: Delay 4 Sec.		
CPUFAN Off In Suspend	: Enabled		
AC Resume	: Disabled	ESC : Quit	↑↓ : Select Item
Resume by Ring	: Enabled	F1 : Help	PU/PD/+/- : Modify
Resume by Alarm	: Disabled	F5 : Old Values (Shift)	F2 : Color
		F6 : Load BIOS Defaults	
		F7 : Load Optimum Settings	
Wake Up On LAN	: Enabled		
IRQ 8 Break Suspend	: Disabled		

---

**ACPI function** **Default: Enabled**

ACPI stands for Advanced Configuration and Power Interface. This mainboard supports this function so leave this item at the default value Enabled.

---

**Power Management** **Default: Min Saving**

This item acts like a master switch for the power-saving modes and hard disk timeouts. If this item is set to Disabled, all the power-savings modes are disabled. If this item is set to Max Saving, doze, standby, and suspend mode, will occur after a very short timeout. If this item is set to Min Saving, doze, standby, and suspend mode will occur after a long timeout. If the item is set to User Define, you can insert your own timeouts for the power-saving modes.

---

**Video Off Method** **Default: V/H SYNC+Blank**

This item defines how the video is powered down to save power. As a default, this is set to V/H SYNC+Blank.

---

**Video Off Option** **Default: Standby**

This option defines which level of power-saving mode is required in order to power down the video display. As a default, the video powers down in both suspend mode and standby mode.

---

**Modem Use IRQ** **Default: 3**

If you would like an incoming call on a modem to automatically resume the system from suspend mode, use this item to specify the interrupt request line (IRQ) that is used by the modem.

---

**Doze Mode** **Default: Disabled**

If you have selected User Define for the Power Management item, you can set this item to a selection of timeouts from 20 seconds to 40 minutes.

---

**Standby Mode** **Default: Disabled**

If you have selected User Define for the Power Management item, you can set this item to a selection of timeouts from 20 seconds to 40 minutes.



---

**Suspend Mode****Default: Disabled**

If you have selected User Define for the Power Management item, you can set this item to a selection of timeouts from 20 seconds to 40 minutes.

---

**HDD Power Down****Default: Disabled**

You can use this item to set a timeout for a hard disk powerdown. You can set a time from 1 to 15 minutes. If the hard disk is inactive for the time specified, it will power down. It will automatically return to full power when it is next accessed.

---

**Throttle Duty Cycle****Default: 62.5%**

This item defines what percentage of time the system will halt the processor clock when it is in power-saving mode.

---

**VGA Active Monitor****Default: Disabled**

When this item is enabled, it means that any activity on the active monitor will restart the Standby mode timeout.

---

**Soft-Off by PWR-BTTN****Default: Delay 4 Sec.**

Under ACPI (advanced configuration and power interface) the system can be turned off mechanically (by the power button) or it can undergo a software power off. If the system has been turned off by software, the system can be resumed by a LAN, MODEM or ALARM wake up signal. This item allows you to define a software power off using the power button. If the value is set to Instant-Off, the power button will automatically cause a software power off. If the value is set to Delay 4 Sec. the power button must be held down for a full four seconds to cause a software power off.

---

**CPUFAN Off In Suspend****Default: Enabled**

This item allows you to program the CPU cooling fan to turn off whenever the system is placed in suspend mode.

---

**AC Resume****Default: Disabled**

When this item is enabled, the system will wake up or power up when the AC power supply is reconnected to the system.

---

**Resume By Ring****Default: Enabled**

When this item is enabled, the system will wake up or power up when an incoming call to an internal modem is detected.

---

**Resume By Alarm****Default: Disabled**

When this item is enabled, the system will wake up or power up at a given time on the system's realtime clock. When you enable this item, two fields appear which allow you to set the alarm time and date.

---

**Wake Up On LAN****Default: Enabled**

When this item is enabled, the system will wake up or power up when incoming traffic on an internal network adapter is detected.

---

**IRQ 8 Break Suspend****Default: Disabled**

When this item is enabled, the system will resume from suspend mode when any activity on the Interrupt Request Line 8 is detected.

---

**IRQ[3-7, 9-15],NMI****Default: Enabled**

When this item is enabled, the system will restart the power-saving timeout counters when any activity is detected on the system interrupts (IRQs) and the non-masked interrupt (NMI).

---

**Primary IDE 0****Default: Disabled****Primary IDE 1****Default: Disabled****Secondary IDE 0****Default: Disabled****Secondary IDE 1****Default: Disabled****Floppy Disk****Default: Disabled**

When these items are enabled, the system will restart the power-saving timeout counters when any activity is detected on any of the drives or devices on the primary or secondary IDE channels, or any of the drives connected to the floppy disk drive controller

---

**Serial Port****Default: Enabled****Parallel Port****Default: Disabled**

When these items are enabled, the system will restart the power-saving timeout counters when any activity is detected through the system's serial ports, or the parallel port.

---

## PNP/PCI Configuration Option

---

This option displays a table of items that configures how PNP (Plug and Play) and PCI expansion cards operate in your system. If you have not installed a riser card with expansion slots, you do not need to make any changes to this option.

ROM PCI/ISA BIOS (P6BX-Me)  
PNP/PCI CONFIGURATION  
AWARD SOFTWARE, INC.

PNP OS Installed : No	Assign IRQ For USB : Enabled
Resources Controlled By : Auto	
Reset Configuration Data : Disabled	
ESC : Quit            f10 : Select Item	
F1 : Help            PU/PD/+/- : Modify	
F5 : Old Values (Shift)F2 : Color	
F6 : Load BIOS Defaults	
F7 : Load Optimum Settings	

---

**PNP OS Installed****Default: No**

If you have installed a Plug and Play operating system such as Windows 95 or 98, you can change this item to Yes. When the item is set to Yes you can use the Device Manager utility in the operating system to make changes to the configuration of expansion cards.

---

**Resources Controlled By****Default: Auto**

You should leave this item at the default Auto. If you find that you cannot get a particular expansion card to work properly, you might be able to solve the problem by changing this item to Manual, and defining the characteristics of the card in the new items which appear.

If you change this item to Manual, the display will list a series of items that allow you to define the assignments of the system interrupt lines (IRQs) and Direct Memory Access (DMA) channels. As a default, these items are set to PCI/ISA PnP. If you install an ISA-bus card that does not support PNP, and it requires a special IRQ and DMA, you can modify the list of assignments. Change the values of the IRQ and DMA that are required to Legacy ISA.

---

**Reset Configuration Data****Default: Disabled**

If you enable this item and restart the system, any PNP configuration data stored in the BIOS setup will be cleared from memory. New updated configuration data will be created.

---

**Assign IRQ For USB****Default: Enabled**

When this item is enabled, the system can assign an IRQ to devices connected on the USB port.

---

## Load BIOS Defaults Option

---

This option displays a dialog box which allows you to install BIOS defaults for all appropriate items in the whole setup utility. Press the **Y** key and then the **Enter** key to install the defaults. Press the **N** key and then **Enter** to not install the defaults. The BIOS defaults do not place great demands on the system and are generally very stable. If your system is not functioning correctly, you might like to install the BIOS defaults as a first step in getting your system working properly again. If you only want to install BIOS defaults for a specific option, select and display that option, and then press the **F6** key.

---

## Load Optimum Settings Option

---

This option displays a dialog box which allows you install optimum defaults for all appropriate items in the whole setup utility. Press the **Y** key and then the **Enter** key to install the defaults. Press the **N** key and then **Enter** to not install the defaults. The setup defaults can place some demands on the system that are greater than the performance level of the components, such as the processor and the memory. You could cause fatal errors or recurring instability if you install the setup defaults when your hardware does not support it. If you only want to install optimum settings defaults for a specific option, select and display that option, and then press the **F7** key.

---

## Integrated Peripherals Option

---

This option displays a list of items which defines the operation of some peripheral items on the system's input/output ports.

ROM PCI/ISA BIOS (P6BX-Me)  
 INTEGRATED PERIPHERALS  
 AWARD SOFTWARE, INC.

IDE HDD Block Mode : Enabled	Onboard Serial Port 1 : 3F8/IRQ4
IDE Primary Master PIO : Auto	Onboard Serial Port 2 :
IDE Primary Slave PIO : Auto	UART Mode Select :
IDE Secondary Master PIO : Auto	RxD , TxD Active : Hi,Lo
IDE Secondary Slave PIO : Auto	IR Transmittiion delay : Enabled
IDE Primary Master UDMA : Auto	Onboard Parallel Port :
IDE Primary Slave UDMA : Auto	Parallel Port Mode :
IDE Secondary Master UDMA: Auto	ECP Mode Use DMA : 3
IDE Secondary Slave UDMA: Auto	EPP Mode Select : EPP1.7
On-Chip Primary PCI IDE: Enabled	
On-Chip Secondary PCI IDE: Enabled	
USB Keyboard Support : Disabled	
Onboard PCI Audio Device : Enabled	
Init Display First : PCI Slot	
POWER ON Function :	ESC : Quit f1+> : Select Item
KB Power ON Password : Enter	F1 : Help PU/PD/+/- : Modify
Hot Key Power ON : Ctrl-F12	F5 : Old Values (Shift)F2 : Color
KBC input clock : 8 MHz	F6 : Load BIOS Defaults
Onboard FDC Controller : Enabled	F7 : Load Optimum Settings

---

**IDE HDD Block Mode** **Default: Enabled**

Block mode transfers can improve the access to IDE devices. Enable this item if your IDE devices support block mode transfers.

---

**IDE Primary Master PIO** **Default: Auto**  
**IDE Primary Slave PIO** **Default: Auto**  
**IDE Secondary Master PIO** **Default: Auto**  
**IDE Secondary Slave PIO** **Default: Auto**

Each IDE channel supports a master device and a slave device. These four items let you assign which kind of PIO (Programmed Input/Output) is used by IDE devices. You can choose Auto, to let the system auto detect which PIO mode is best, or you can install a PIO mode from 0-4.

---

**IDE Primary Master UDMA** **Default: Auto**  
**IDE Primary Slave UDMA** **Default: Auto**  
**IDE Secondary Master UDMA** **Default: Auto**  
**IDE Secondary Slave UDMA** **Default: Auto**

Each IDE channel supports a master device and a slave device. This motherboard supports UltraDMA. UltraDMA technology provides faster access to IDE devices. If you install a device which supports UltraDMA, change the appropriate item on this list to Auto. You may have to install the UltraDMA driver supplied with this motherboard in order to use an UltraDMA device.

---

**On-Chip Primary PCI IDE** **Default: Enabled**  
**On-Chip Secondary PCI IDE** **Default: Enabled**

These items allow you to enable or disable the primary and secondary IDE channels built into this mainboard.

---

**USB Keyboard Support** **Default: Disabled**

Enable this item if you are using a keyboard connected through the USB interface.

---

**Init Display First** **Default: PCI Slot**

Use this item to define if your graphics adapter is installed in one of the PCI slots, or if you have installed an AGP graphics adapter into the AGP slot.

---

<b>Power On Function</b>	<b>Default: Hot KEY</b>
<b>KB Power ON Password</b>	<b>Default: [Enter]</b>
<b>Hot Key Power ON</b>	<b>Default: Ctrl-F12</b>

The Power On Function item allows you to power on the system by pressing hot-keys, or typing in a password. If you choose Password, you can use the item KB Power On Password to install a power on password. If you set this item to Hot Key, you can then use the item Hot Key Power On to choose which hot keys are installed.

---

<b>KBC input clock</b>	<b>Default: 8 MHz</b>
------------------------	-----------------------

This item sets the clock speed for the keyboard controller. Leave this item at the default value of 8 MHz.

---

<b>Onboard FDC Controller</b>	<b>Default: Enabled</b>
-------------------------------	-------------------------

Use this item to turn on or off the floppy disk controller that is built into this mainboard.

---

<b>Onboard Serial Port 1</b>	<b>Default: 3F8/IRQ4</b>
------------------------------	--------------------------

This item lets you disable the built-in serial port 1, or enable it by assigning an I/O address and an Interrupt Request Line (IRQ).

---

<b>Onboard Serial Port 2</b>	<b>Default: 2F8/IRQ3</b>
------------------------------	--------------------------

This item lets you disable the built-in serial port 2, or enable it by assigning an I/O address and an Interrupt Request Line (IRQ).

---

<b>UART Mode Select</b>	<b>Default: Normal</b>
-------------------------	------------------------

This item defines the operation of serial port 2. In the default Normal setting, serial port 2 is assigned to the connector on the mainboard. If you have installed an optional infrared port, you must change the setting of this item to one of the Infrared settings (usually IrDA or FIR). These settings will disable the mainboard serial port connector and assign serial port 2 to the infrared device. If you have selected an IR mode, two items appear, *RxD*, *TxD Active* and *IR Transmission delay*, which let you set the duplex and transmission parameters for the Infrared port. See the documentation of your infrared port for help on these items.

---

<b>Onboard Parallel Port</b>	<b>Default: 378/IRQ7</b>
------------------------------	--------------------------

This item lets you disable the built-in parallel port, or enable it by assigning an I/O address and an Interrupt Request Line (IRQ).

---

<b>Parallel Port Mode</b>	<b>Default: SPP</b>
---------------------------	---------------------

This item defines the operation of the parallel port. As a default it is set to SPP (standard parallel port). If you are connected to a parallel device that supports the higher-performance EPP (enhanced parallel port) or the ECP (extended capabilities port) make the appropriate changes to this item. If you change the parallel port to EPP or ECP, new items appear to let you configure the EPP and ECP modes.

---

## Supervisor Password and User Password

---

These two items can be used to install a Supervisor Password and a User Password. If you log on as Supervisor, you have full access to the system, and you can restrict the permissions granted to someone who logs on as User. For example, a Supervisor can restrict a User from entering the setup utility.

To install a Supervisor or User Password, follow these steps:

1. Highlight the item Supervisor/User password on the main menu and press **Enter**.
2. The password dialog box will appear.
3. If you are installing a new password, carefully type in the password. You cannot use more than 8 characters or numbers. The password will differentiate between upper case and lower characters. Press **Enter** after you have typed in the password. If you are deleting a password that is already installed just press **Enter** when the password dialog box appears.
4. The system will ask you to confirm the new password by asking you to type it in a second time. Carefully type the password again and press **Enter**, or just press **Enter** if you are deleting a password that is already installed.
5. If you typed the password correctly, the password will be installed.

## IDE HDD Auto Detection Option

---

This item automatically detects and installs any hard disk drives installed on the primary and secondary IDE channel. Most modern drives can be detected. If you are using a very old drive that can't be detected, you can install it manually using the Standard CMOS Setup option.

Setup will check for two devices on the primary IDE channel and then two devices on the secondary IDE channel. At each device, the system will flash an N in the dialog box. Press **Enter** to skip the device and proceed to the next device. Press **Y**, then **Enter** to tell the system to auto-detect the device.

## Save And Exit Setup Option

---

Highlight this item and press **Enter** to save the changes that you have made in the setup utility and exit the setup program. When the Save and Exit dialog box appears, press **Y** to save and exit, or press **N** to return to the setup main menu.

## Exit Without Saving Option

---

Highlight this item and press **Enter** to discard any changes that you have made in the setup utility and exit the setup program. When the Exit Without Saving dialog box appears, press **Y** to discard changes and exit, or press **N** to return to the setup main menu.

## Chapter 4: Software

### About the Software

---

The support software for this mainboard is supplied on a CD-ROM disc. The disc is created for the use of several different boards and board configurations so you might not need to install every driver or utility that is on the disc. The disc contains the following:

- ◆ Bus master IDE drivers
- ◆ LANDesk Client Management Software (LDCM) (Optional)
- ◆ Flash BIOS utilities
- ◆ Desktop Management Interface (DMI) utility (Optional)
- ◆ Windows 95 Patch program
- ◆ Winbond system monitor utility (Optional)
- ◆ ESS Audio Driver
- ◆ VGA Driver

This motherboard does not have an integrated graphics system onboard so you must not use the VGA drivers. Use the VGA drivers that are supplied with your graphics adapter expansion card.

### General Installation Guide

---

1. Place the CD-ROM in the CD-ROM drive.
2. If you are running Windows with the Autoplay feature enabled, the install program will start automatically. If Autoplay is not enabled, use explorer to log on to the disc, and then log on to the directory named SETUPITM. Double click the file SETUPITM.EXE to start the installation program.
3. When the installation program starts, you can click on the MORE buttons top see a full list of the software on the disc. You can click on any item to get more information on the item, or to start the installation program for the item. If there is a README file available, we recommend that you read it in case it has updated information.
4. After you have finished installing the software that you need, you can click on the Exit button to quit the installation utility.

#### **Bus master IDE drivers**

The Bus master IDE drivers are located in the directory \IDEDRV\TRIONES.

### **LANDesk Software (Optional)**

The LANDesk software is located in the directories \LDCM with sub-directories for \LDCM\CLIENT and \LDCM\ADMIN. You can use the ALF editor to modify the customized client and Administrator.

When you first setup LDCM, the program will install a version of Internet Explorer (IE) if your system does not already have a version of IE later than 4.01. You must restart the LDCM installation after the installation of IE is completed.

Client Manager uses a simple setup program to install the administrator functionality. Setup installs the LANDesk Client Manager console, DMI Control Panel, and the Notification Monitor.

#### ***To run Setup on Windows NT***

1. Log in as Administrator or equivalent.
2. Run SETUP.EXE from the Client Manager CD-ROM and follow the instructions on your monitor.

#### ***To run Setup on Windows 95***

1. Run SETUP.EXE from the Client Manager CD-ROM and follow the instructions on your monitor.

### **Flash BIOS Utility**

The flash BIOS utility can be used to erase the BIOS from the flash BIOS EEPROM on the motherboard, and install an updated version of the BIOS. There are two Flash BIOS utilities on the CD-ROM. One utility is located in \FLASH\ECS, and the other utility is located in \FLASH\AWARD.

### **DMI Utility (Optional)**

The DMI utility allows system integrators and administrators to make changes to the Desktop Management Interface. It is located in \DMI.

### **PIIX-4 Windows Patch Program**

Most versions of Windows 95 cannot recognize the USB ports and power management routines on Pentium-II motherboards. This patch program named WINP2X4.EXE solves this problem. It is located in the directory \WINPATCH.

### **System Monitor Utility (Optional)**

The system monitor utility lets you monitor the critical system temperatures and voltages. You must have the optional sensor chip W83781D installed on your mainboard in order to use this utility.



### **ESS Audio Drivers**

These files are stored in the directory \Audiodr\M2 with sub-directories for different operating systems. They are for use by systems which have an integrated audio system using the ESS M2 audio chip.

### **VGA Drivers (SIS 6326 AGP)**

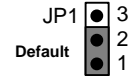
This mainboard does not have an integrated graphics system, so these files are not required on your system.

# Quick Jumper Setting Reference

---

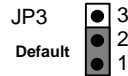
## JP1: Keyboard Power On Enable/Disable Jumper

Function	Jumper Cap
5V standby (enable keyboard power on)	Short Pins 1-2
Vcc (disable keyboard power on)	Short pins 2-3



## JP3: Clear CMOS Memory

Function	Jumper Cap
Clear CMOS	Short Pins 2-3
Normal Operation	Short pins 1-2



## PANEL1: Connectors for Case Switches and LEDs

Function	Pins
Power LED	+1, +2, 3
Sleep Switch	4, 5
Green LED	+7, +8, 9
Key Lock	10, 11
Reset Switch	12, 13
Speaker	+15, 16, 17, 18
Hard Disk LED	+20, 21
Power Switch	+22, 23

