

Before You Start



Everything you need to boot this motherboard is included in this Easy Installation Guide. For more information, a complete **Online User's Manual** can be found in the **Bonus Pack CD Disc**. Thanks for the help of saving our earth.

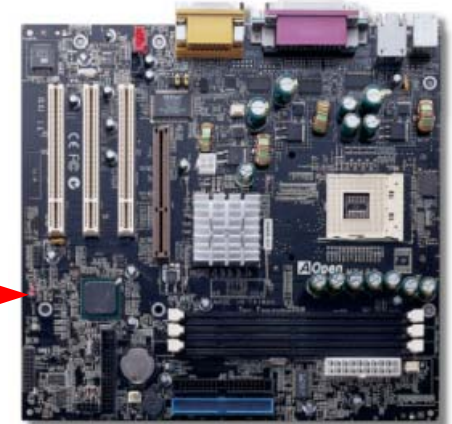
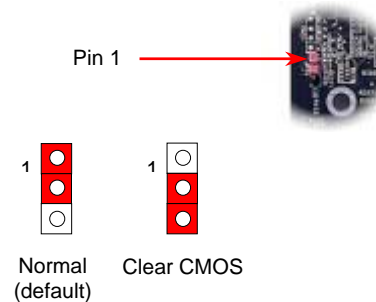
Accessory Checklist

- ▶ **Motherboard x 1**
- ▶ **40-Wire IDE Cable x 1**
- ▶ **80-Wire IDE Cable x 1**
- ▶ **Floppy Drive Cable x 1**
- ▶ **Bonus Pack CD x 1**
- ▶ **This Easy Installation Guide x 1**
- ▶ **Retention Module**

1. JP14 Clear CMOS

You can clear CMOS to restore system default setting. To clear the CMOS, follow the procedure below.

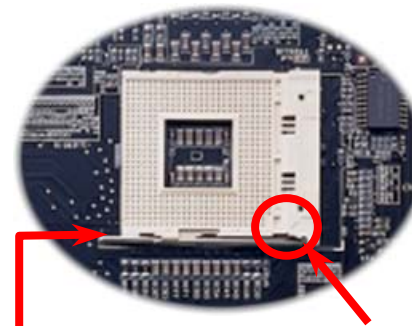
1. Turn off the system and unplug the AC power.
2. Remove ATX power cable from connector PWR2.
3. Locate JP14 and short pins 2-3 for a few seconds.
4. Return JP14 to its normal setting by shorting pin1 & pin2.
5. Connect ATX power cable back to connector PWR2.



Tip: When should I Clear CMOS?

1. Boot fail because of overclocking...
2. Forget password...
3. Troubleshooting...

2. Installing CPU



CPU Pin 1 and cut edge

CPU socket lever

1. Pull up the CPU socket lever and up to 90-degree angle.
2. Locate Pin 1 in the socket and look for a (golden) cut edge on the CPU upper interface. Match Pin 1 and cut edge. Then insert the CPU into the socket.
3. Press down the CPU socket lever and finish CPU installation.

Note: If you do not match the CPU socket Pin 1 and CPU cut edge well, you may damage the CPU.

3. CPU Fan Installation

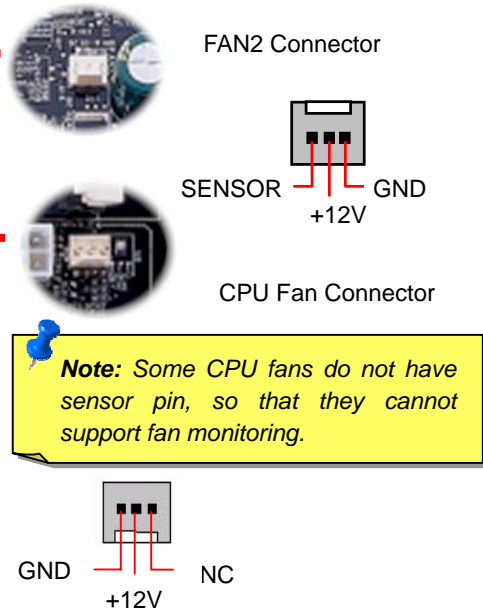
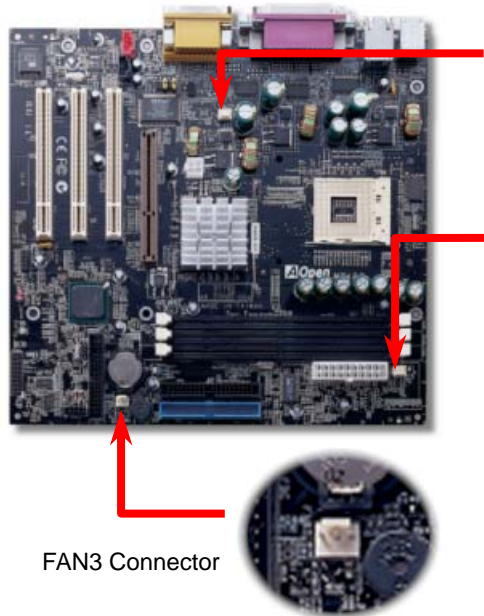
This motherboard comes with a retention module attached on the CPU socket when shipped; we strongly recommend you to install AOpen special designed CPU Fan as shown below on the retention module for better heat ventilation.



1. Gently put the CPU fan down on the retention module with clips aligning correctly to the four corners.
2. Pressing down four clips one by one to securely install the CPU fan.

4. Installing CPU & Housing Fan

Plug in the CPU fan cable to the 3-pin **CPU FAN** connector. If you have chassis fan, you can also plug it on **FAN2** or **FAN3** connector (FAN3 doesn't have H/W monitoring).



Note: Some CPU fans do not have sensor pin, so that they cannot support fan monitoring.

5. Setting CPU Voltage & Frequency

Setting CPU Core Voltage

This motherboard supports CPU VID function. The CPU core voltage will be automatically detected and the range is from 1.10V to 1.85V. It is not necessary to set CPU Core Voltage.

Setting CPU Frequency

This motherboard is CPU jumper-less design, you can set CPU frequency through the BIOS setup, and no jumpers or switches are needed.

Core Frequency = CPU FSB Clock * CPU Ratio

CPU Ratio	8x, 9x, 10x,22x, 23x, 24x
CPU FSB	100~180MHz

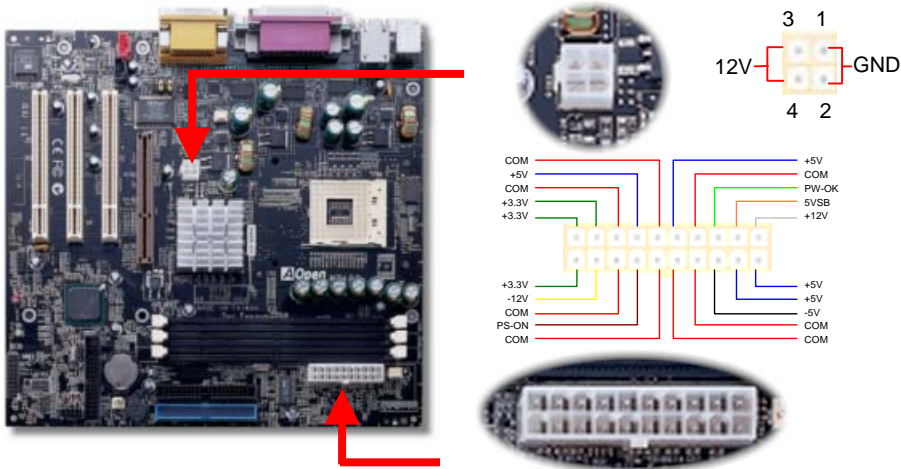
CPU	CPU Core Frequency	FSB Clock	Ratio
Pentium 4 1.3G	1.3GHz	100MHz	13x
Pentium 4 1.4G	1.4GHz	100MHz	14x
Pentium 4 1.5G	1.5GHz	100MHz	15x
Pentium 4 1.6G	1.6GHz	100MHz	16x
Pentium 4 1.7G	1.7GHz	100MHz	17x
Pentium 4 1.8G	1.8GHz	100MHz	18x
Pentium 4 1.9G	1.9GHz	100MHz	19x
Pentium 4 2.0G	2.0GHz	100MHz	20x
Pentium 4 2.2G	2.2GHz	100MHz	22x
Pentium 4 2.4G	2.4GHz	100MHz	24x

Warning: Intel® 845 chipset supports maximum 400MHz system bus (100MHz * 4) and 66MHz AGP clock. Higher clock setting may cause serious system damage.

Tip: If your system hangs or fails to boot because of overclocking, simply use <Home> key to restore the default setting.

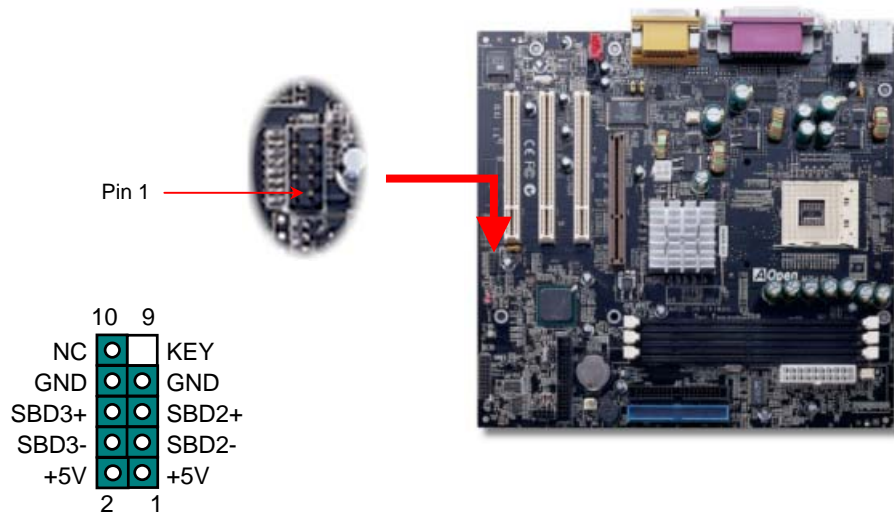
10. Connecting ATX Power Connector

The ATX power supply uses 20-pin connector shown below. Make sure you plug in the right direction. We strongly recommend you to connect the 4-pin 12V ATX connector before connecting the 20-pin ATX power connector.



11. Support 2nd USB Port

This motherboard supports four USB ports. Two of them are on back panel connector, the other two are on the left side of this motherboard. With proper cable, you can connect them to front panel.



12. Connecting CD / MODEM Connector

CD-IN (Black)

The **CD-IN** connector is used to connect CD Audio cable from CDROM or DVD drive to onboard sound. The **MODEM-CN** connector is used to connect Mono In/ Mic Out cable from internal modem card to onboard sound circuit.



MODEM-CN (Red)

Connector	Pin1	Pin2	Pin3	Pin4
CD-IN	Left	GND	GND	Right
MODEM-CN	Mono In	GND	GND	Mic Out

13. Installing LAN Driver (Optional)

The South Bridge in Intel 845 (Brookdale) chipset integrates a total communication solution including 10/100Mb Fast Ethernet for Office requirement. You can install LAN Driver under Windows95/98, WindowsNT & Windows2000 by following steps. Manually Adding an Adapter in Windows 95 / 98

=====

LOCATION OF DRIVER: \Driver\Lan\E100BNT5.SYS (NDIS 5.0)

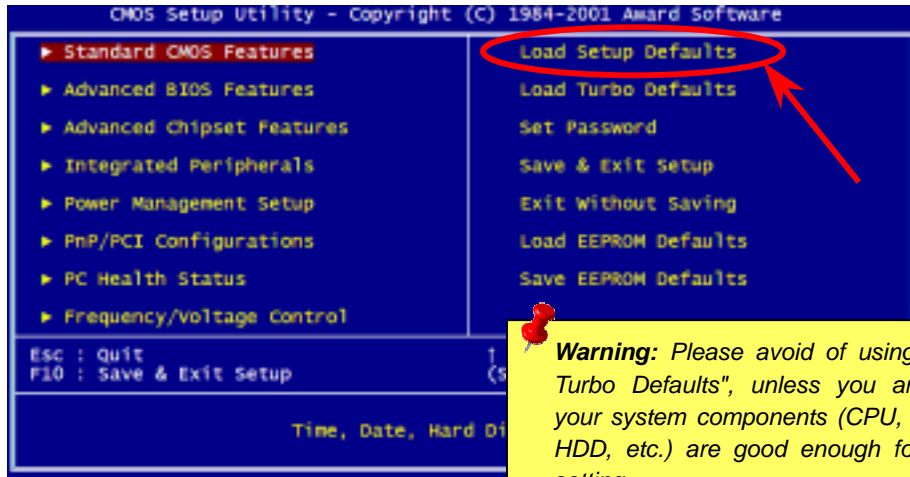
LOCATION OF SETUP FILE: \Driver\Lan\NET8257.INF

1. From the Control Panel, double-click the "Add Hardware" icon.
2. Double-click Other Devices or Network Adapters in the list area.
3. Double-click a PCI Ethernet Controller.
4. Click the Driver tab, then click Update Driver.
5. Click Next at the Update Device Driver Wizard.
6. Select "Display a list of all the drivers..." and click Next.
7. Insert the AOpen Bonus CD and click Have Disk.
8. Enter the appropriate drive for your disk media (for example: D:\), and click OK.
9. Click OK at the Select Device dialog box.
10. The Update Wizard displays the message that it has found the driver. Click Next.
11. Click Finish and restart your computer when prompted.

14. Power-on and Load BIOS Setup

Del

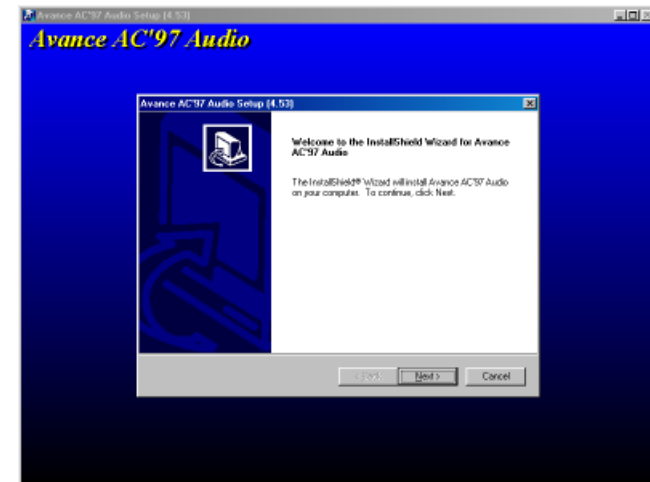
After you finish the setting of jumpers and connect correct cables. Power on and enter the BIOS Setup, press during POST (Power On Self Test). Choose "Load Setup Defaults" for recommended optimal performance.



Warning: Please avoid of using "Load Turbo Defaults", unless you are sure your system components (CPU, DRAM, HDD, etc.) are good enough for turbo setting.

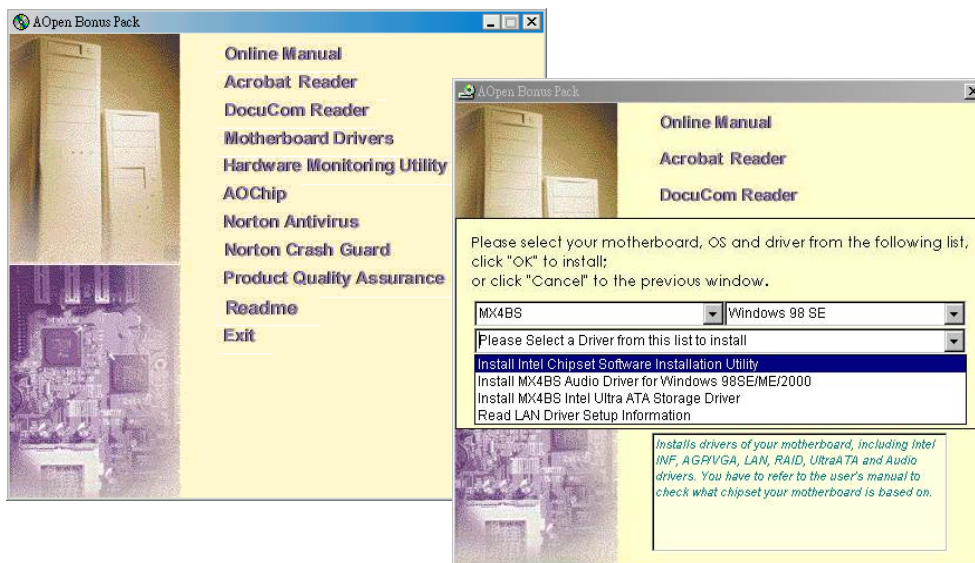
16. Installing Onboard Sound Driver

This motherboard comes with RealTek ALC201 chip, you can find the audio driver from the Bonus Pack CD disc auto-run menu.



15. AOpen Bonus Pack CD

You can use the autorun menu of Bonus CD disc. Choose the utility and driver and select model name.



17. BIOS Upgrade

AOpen Easy Flash is a user-friendly flash method. The BIOS binary file and flash routine are combined together and you simply run a single file to complete the flash process.

1. Download new BIOS upgrade zipped file from AOpen's web site. For example, MX4BS102.ZIP.
2. Run shareware PKUNZIP (<http://www.pkware.com>) which supports miscellaneous operation systems to extract the binary BIOS file and the flash utility. Or Winzip (<http://www.winzip.com/>) in Windows environment.
3. Save the unzipped file into a bootable floppy disk. For example, MX4BS102.BIN & MX4BS102.EXE
4. Reboot the system to DOS mode without loading any memory handler (such as EMM386) or device driver. It needs around 520K free memory.
5. Execute A:> MX4BS102 and the program will do the rest of it.
6. Reboot system and press to enter BIOS Setup, Choose "Load Setup Defaults", then "Save & Exit Setup" and finish the BIOS upgrade.

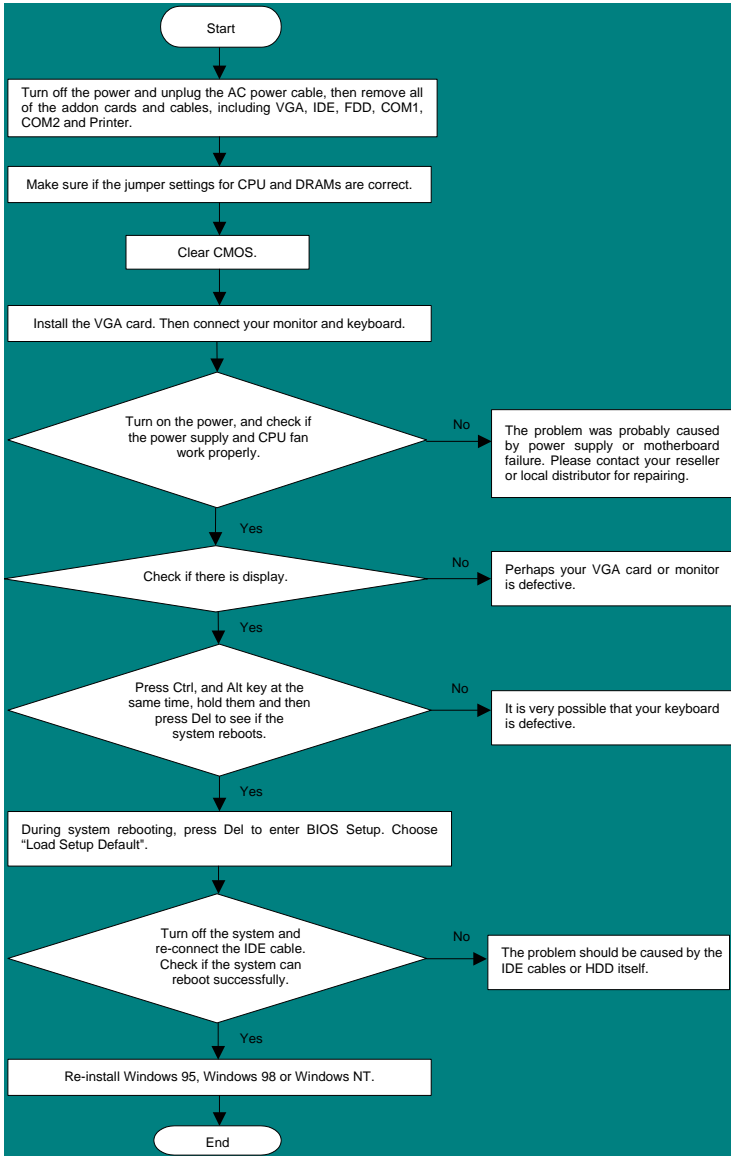
DO NOT turn off the power during FLASH PROCESS until you are asked to!!

Warning: The upgrade of new BIOS will permanently replace your original BIOS content after flashing. The original BIOS setting and Win95/Win98 PnP information will be refreshed and you probably need to re-configure your system.



Troubleshooting

If you encounter any trouble to boot your system, follow the procedures accordingly to resolve the problem.



Part Number and Serial Number

The Part Number and Serial number are printed on bar code label. You can find this bar code label on the outside packing, on ISA/CPU slot or on component side of PCB. For example:



Part No.

Serial No.



Part No.

Serial No.

P/N: 91.88110.201 is part number, **S/N: 91949378KN73** is serial number.

Model name and BIOS version

Model name and BIOS version can be found on upper left corner of first boot screen (POST screen). For example:



MX4BS is the model name of motherboard; **R1.00** is BIOS version



Technical Support

Dear Customer,

Thanks for choosing AOpen products. To provide the best and fastest service to our customer is our first priority. However, we receive numerous emails and phone-calls worldwide everyday, it is very hard for us to serve everyone on time. We recommend you follow the procedures below and seek help before contact us. With your help, we can then continue to provide the best quality service to more customers.

Thanks very much for your understanding!

AOpen Technical Supporting Team

Pacific Rim
AOpen Inc.
Tel: 886-2-2696-1333
Fax: 886-2-8691-2233

Europe
AOpen Computer b.v.
Tel: 31-73-645-9516
Fax: 31-73-645-9604

China
艾尔鹏国际上海(股)有限公司
Tel: 49-2102-157700
Fax: 49-2102-157799

Germany
AOpen Computer GmbH.
Tel: 49-2102-157700
Fax: 49-2102-157799

America
AOpen America Inc.
Tel: 1-510-498-8928
Fax: 1-408-922-2935, 1-408-432-0496

Web Site: www.aopen.com

E-mail: Send us email by going through the contact form below.

English <http://www.aopen.com.tw/tech/contact/techusa.htm>

Japanese <http://aojp.aopen.com.tw/tech/contact/techjp.htm>

Chinese <http://w3.aopen.com.tw/tech/contact/techtw.htm>

German <http://www.aopencom.de/tech/contact/techde.htm>

French <http://aofr.aopen.com.tw/tech/contact/techfr.htm>

Simplified Chinese <http://www.aopen.com.cn/tech/contact/techcn.htm>

1

Online Manual: Please check the manual carefully and make sure the jumper settings and installation procedure are correct.
<http://www.aopen.com.tw/tech/download/manual/default.htm>

2

Test Report: We recommend to choose board/card/device from the compatibility test reports for assembling your PC.
<http://www.aopen.com.tw/tech/report/default.htm>

3

FAQ: The latest FAQ (Frequently Asked Questions) may contain a solution to your problem.
<http://www.aopen.com.tw/tech/faq/default.htm>

4

Download Software: Check out this table to get the latest updated BIOS/utility and drivers.
<http://www.aopen.com.tw/tech/download/default.htm>

5

News Group: Your problem probably had been answered by our support engineer or professional users on the news group.
<http://www.aopen.com.tw/tech/newsgrp/default.htm>

6

Contact Distributors/Resellers: We sell our products through resellers and integrators. They should know your system configuration very well and should be able to solve your problem more efficient n important reference for you if next time you want to buy something else from them.

7

Contact Us: Please prepare detail system configuration and error symptom before contacting us. The **part number**, **serial number** and **BIOS version** are also very helpful.