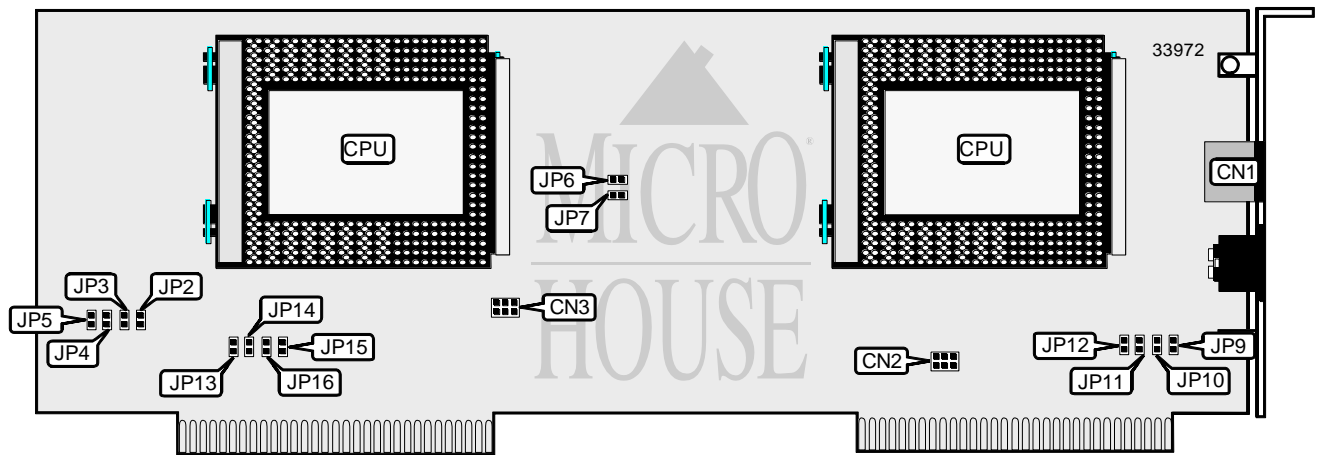


ASUS COMPUTER INTERNATIONAL C - P 6 N D

Processor	Pentium Pro
Processor Speed	150/166/180/200MHz
Chip Set	Intel
Video Chip Set	None
Maximum Onboard Memory	None
Maximum Video Memory	None
Cache	256/512KB (located on Pentium Pro CPU)
BIOS	None
Dimensions	Unidentified
I/O Options	PS/2 mouse port
NPU Options	None



CONNECTIONS			
Purpose	Location	Purpose	Location
Chassis fan power	CN1	PS/2 mouse port	CN3
Chassis fan power	CN2		

Continued on next page. . .

ASUS COMPUTER INTERNATIONAL

C - P 6 N D

... continued from previous page

CACHE CONFIGURATION

Note: 256KB/512KB cache is located on the Pentium Pro CPU.

CPU SPEED SELECTION

CPU speed	Clock speed	Multiplier	JP6	JP7	JP13	JP14	JP15	JP16
150MHz	60MHz	2.5x	Open	Closed	Closed	Open	Closed	Closed
166MHz	66MHz	2.5x	Closed	Open	Closed	Open	Closed	Closed
180MHz	60MHz	3x	Open	Closed	Closed	Closed	Open	Closed
200MHz	66MHz	3x	Closed	Open	Closed	Closed	Open	Closed

CPU VOLTAGE SELECTION (CPU 1)

Voltage	JP2	JP3	JP4	JP5
2.1v	Open	Open	Open	Closed
2.2v	Open	Open	Closed	Open
2.3v	Open	Open	Closed	Closed
2.4v	Open	Closed	Open	Open
2.5v	Open	Closed	Open	Closed
2.6v	Open	Closed	Closed	Open
2.7v	Open	Closed	Closed	Closed
2.8v	Closed	Open	Open	Open
2.9v	Closed	Open	Open	Closed
3.0v	Closed	Open	Closed	Open
3.1v	Closed	Open	Closed	Closed
3.2v	Closed	Closed	Open	Open
3.3v	Closed	Closed	Open	Closed
3.4v	Closed	Closed	Closed	Open
3.5v	Closed	Closed	Closed	Closed

CPU VOLTAGE SELECTION (CPU 2)

Voltage	JP9	JP10	JP11	JP12
2.1v	Closed	Open	Open	Open
2.2v	Open	Closed	Open	Open
2.3v	Closed	Closed	Open	Open
2.4v	Open	Open	Closed	Open
2.5v	Closed	Open	Closed	Open
2.6v	Open	Closed	Closed	Open
2.7v	Closed	Closed	Closed	Open
2.8v	Open	Open	Open	Closed
2.9v	Closed	Open	Open	Closed
3.0v	Open	Closed	Open	Closed
3.1v	Closed	Closed	Open	Closed
3.2v	Open	Open	Closed	Closed
3.3v	Closed	Open	Closed	Closed
3.4v	Open	Closed	Closed	Closed
3.5v	Closed	Closed	Closed	Closed