

MS6393E Mainboard User' s Manual

This publication, including all photographs, illustrations and software, is protected under international copyright laws, with all rights reserved. Neither this manual, nor any of the material contained herein, may be reproduced without the express written consent of the manufacturer.

The information in this document is subject to change without notice. The manufacturer makes no representations or warranties with respect to the contents hereof and specifically disclaims any implied warranties of merchantability or fitness for any particular purpose. Further, the manufacturer reserves the right to revise this publication and to make changes from time to time in the content hereof without obligation of the manufacturer to notify any person of such revision or changes.

Trademarks

IBM, VGA, and PS/2 are registered trademarks of International Business Machines.

Intel, Pentium, Pentium-II, Pentium-III, MMX, and Celeron are registered trademarks of Intel Corporation.

Microsoft, MS-DOS and Windows 95/98/NT are registered trademarks of Microsoft Corporation.

Sound Blaster is a trademark of Creative Technology Ltd.

PC-cillin and ChipAwayVirus are trademarks of Trend Micro Inc.

AMI is a trademark of American Megatrends Inc.

A3D is a registered trademark of Aureal Inc.

Gamut is a registered trademark of Formosoft International Inc.

SuperVoice is a registered trademark of Pacific Image Communications Inc.

MediaRing Talk is a registered trademark of MediaRing Inc.

Other names used in this publication may be trademarks and are acknowledged.

**Copyright ©2000
All Rights Reserved
MS6393E, V1.5
S54X/JUNE 2000**

MS6393E Mainboard User's Manual

Federal Communications Commission (FCC)

This equipment has been tested and found to comply with the limits for a Class B digital device, pursuant to Part 15 of the FCC Rules. These limits are designed to provide reasonable protection against harmful interference in a residential installation. This equipment generates, uses, and can radiate radio frequency energy and, if not installed and used in accordance with the instructions, may cause harmful interference to radio communications. However there is no guarantee that interference will not occur in a particular installation. If this equipment does cause harmful interference to radio or television reception, which can be determined by turning the equipment off and on, the user is encouraged to try to correct the interference by one or more of the following measures:

- Reorient or relocate the receiving antenna.
- Increase the separation between the equipment and the receiver.
- Connect the equipment onto an outlet on a circuit different from that to which the receiver is connected.
- Consult the dealer or an experienced radio/TV technician for help.

Shielded interconnect cables and shielded AC power cable must be employed with this equipment to insure compliance with the pertinent RF emission limits governing this device. Changes or modifications not expressly approved by the system's manufacturer could void the user's authority to operate the equipment.

Declaration of Conformity

This device complies with part 15 of the FCC rules. Operation is subject to the following conditions:

- This device may not cause harmful interference, and
- This device must accept any interference received, including interference that may cause undesired operation.

Canadian Department of Communications

This class B digital apparatus meets all requirements of the Canadian Interference-causing Equipment Regulations.

Cet appareil numérique de la classe B respecte toutes les exigences du Règlement sur le matériel brouilleur du Canada.

MS6393E Mainboard User' s Manual

Table of Contents

Chapter 1: Introduction	1
Key Features.....	2
Package Contents	6
Static Electricity Precautions	7
Pre-Installation Inspection.....	7
Chapter 2: Mainboard Installation	7
Mainboard Components.....	8
I/O Ports.....	9
Install A CPU	9
Install Memory.....	10
Setting Jumper Switches	11
Install the Mainboard.....	14
Install the Extension Brackets	16
Install Other Devices.....	17
Expansion Slots.....	19
Chapter 3: BIOS Setup Utility	21
Introduction	21
Running the Setup Utility.....	22
Standard CMOS Setup Page	23
Advanced Setup Page	24
Power Management Setup Page	26
PCI / Plug and Play Setup Page.....	28
Load Optimal Settings	29
Load Best Performance Settings	29
Features Setup Page	30
CPU PnP Setup Page.....	32
Hardware Monitor Page.....	33
Change Password.....	34
Exit.....	34
Chapter 4 Software & Applications	35
Introduction	35
Using the PCI Sound Pro Application	35
The Four Speakers System.....	36
Speaker Installation	36
Speaker Position.....	36
Mixer Setup	37
Demo	37

MS6393E Mainboard User's Manual

Appendix A: Gamut	A1
Introduction	A2
Before Installing	A3
Installation	A4
Produce MP3 file—Use CD-Cashier	A5
Play MP3 file—Use Musician	A7
Play music CD—Use 3D _{FS} -ACD	A8
Play MIDI file—Use Midier	A9
Recording audio data—Use Voice-Catcher	A10

Chapter 1

Introduction

This mainboard supports all **Socket 7** processors including newer designs which feature a **100 MHz system bus**. The mainboard firmware supports **CPU Plug and Play** so that the system will automatically adopt the correct configuration for the Socket-7 processor that you install.

This mainboard uses the SiS 540 chipset which integrates a **128-bit AGP Graphics Accelerator** and has an embedded **10BaseT/100BaseTX Ethernet Network Interface**. The mainboard has a built-in **PCI 3D Sound System** and a **V.90 Fax/Modem DAA module** is shipped with the mainboard. There is an ADIMM slot onboard for an optional **Video Bridge card**. The video bridge card connects to an external TV, a TFT LCD panel display, or a secondary CRT display monitor. In addition, the mainboard has a full set of **ATX I/O Ports** including PS/2 keyboard and mouse ports, two USB ports, a parallel port, a serial port and a VGA port.

This mainboard has all the features you need to develop a powerful multimedia workstation that is network ready, and has built-in communications. The board is **Micro-ATX size** and has power connectors for an **ATX** power supply.

MS6393E Mainboard User' s Manual

Key Features

This key features of this mainboard include:

Socket-7 Processor Support

- ◆ Supports all recent socket-7 processors including the Intel **P55C** (Pentium MMX), the Cyrix/IBM **6x86L/6x86MX /MII**, the AMD **K6/K6-2/K6-III**, IDT **C6**, and **WinChip 2/2A** CPUs
- ◆ Supports socket-7 processors with system bus frequencies of **66/75/83/90/95/100 MHz**
- ◆ **CPU Plug and Play** support lets the firmware automatically configure the CPU
- ◆ **512K/1 MB/2 MB external Level 2 cache memory** is provided onboard

Memory Support

- ◆ Two DIMM slots for 168-pin SDRAM memory modules
- ◆ Support for 66MHz, 100MHz memory bus
- ◆ Maximum installed memory is 2 x 512MB = 1 GB

Expansion Slots

- ◆ Two 32-bit PCI slots
- ◆ One ADIMM slot for Video Bridge card or video bridge card

Onboard IDE channels

- ◆ Primary and Secondary PCI IDE channels
- ◆ Support for PIO (programmable input/output) modes
- ◆ Support for Multiword DMA modes
- ◆ Support for Bus Mastering and Ultra DMA 33/66 modes

Power Supply and Power Management

- ◆ ATX power supply connector
- ◆ ACPI and previous PMU support, suspend switch, keyboard power on/off
- ◆ Supports Wake on Modem, and Wake on Alarm

1: Introduction

Built-in Graphics System

- ◆ Onboard 128-bit 2D/3D 100MHz Host interface **AGP Graphics Accelerator** Complies with AGP V2.0
- ◆ Shared memory architecture allows a maximum of 64 MB main memory to act as frame buffer
- ◆ Supports high resolutions up to 1920x1200 16M colors, up to 2048x2048 Texture size and Virtual screen up to 4096x4096
- ◆ Supports hardware DVD Accelerator and Direct DVD to TV playback

Sound System

- ◆ Complies with the PC98 audio specification
- ◆ 16-bit CODEC for full-duplex playback and recording
- ◆ HRTF 3D professional audio supports both Direct Sound 3D[®] and A3D[®]-compatible interfaces plus support for **4-channel speakers**
- ◆ Driver support for MS-DOS, Microsoft Windows 95/98/2000/NT 4.0
- ◆ Built-in 32ohm earphone buffer and 3D surround sound
- ◆ Provides MPU-401 Game/MIDI port and legacy Sound Blaster 16 support
- ◆ Downloadable Wave-table Synthesizer supports Direct Music[®]
- ◆ Stereo Mixer supports analog mixing from CD-Audio and Line In or digital mixing from voice, FM/Wave-table and digital CD-Audio

Onboard I/O Ports

- ◆ Provides PC99 Color Connectors for easy peripheral device connections
- ◆ Floppy disk drive connector with 1Mb/s transfer rate
- ◆ One serial port with 16550-compatible fast UART
- ◆ One parallel port with ECP and EPP support
- ◆ Two USB ports
- ◆ Two PS/2 ports for keyboard and mouse
- ◆ One infrared port connector for optional module

MS6393E Mainboard User' s Manual

Built-in Ethernet LAN

- ◆ **10BaseT/100BaseTX Ethernet LAN**
- ◆ LAN controller integrates Fast Ethernet MAC and PHY compliant with IEEE802.3u 100BASE-TX, 10BASE-T and ANSI X3.263 TP-PMD standards
- ◆ Compliant with ACPI 1.0 and the Network Device Class Power Management 1.0
- ◆ High Performance provided by 100Mbps clock generator and data recovery circuit for 100Mbps receiver

Hardware Monitoring

- ◆ Built-in hardware monitoring for CPU & System temperatures, fan speeds and mainboard voltages

Fax/Modem DAA Module

- ◆ **56 Kbps Fax/Modem DAA module**
- ◆ Supports V.90, V.34, V.32bis, V.32, V.22bis, V.22
- ◆ Supports Auto Fallback and MNP 5, V.42bis data compression with 115,200-compatible Virtual UART
- ◆ Requires 16MB RAM and Microsoft Windows 95/98/NT

Onboard Flash ROM

- ◆ Automatic CPU and board configuration
- ◆ Supports Plug and Play configuration of peripheral devices and expansion cards
- ◆ Built-in virus protection using **Trend' s ChipAwayVirus** provides boot process virus protection.

Bundled Software

- ◆ **PC-Cillin** provides automatic virus protection under Windows 95/98
- ◆ **SuperVoice** is data, fax and voice communication software
- ◆ **Gamut** provides professional audio features included MP3 encoding/playback
- ◆ **MediaRing Talk** provides PC to PC or PC to Phone internet phone communication
- ◆ **S-YXG50** is music synthesizer software to playback MIDI files on the system

1: Introduction

Dimensions

- ◆ Micro-ATX form factor (24.4cm x 19cm)

MS6393E Mainboard User' s Manual

Package Contents

Your mainboard package ships with the following items:

- The mainboard
- This User' s Guide
- 1 UDMA/66 IDE cable
- 1 Floppy disk drive cable
- Support software on CD-ROM disk

Optional Accessories

You can purchase the following optional accessories for this mainboard.

- 1 Fax/Modem DAA module
- 10BaseT/100BaseTX Ethernet LAN
- 8/32 MB display cache card
- SiS301 video bridge card

1: Introduction

Static Electricity Precautions

Components on this mainboard can be damaged by static electricity. Take the following precautions when unpacking the mainboard and installing it in a system.

1. Keep the mainboard and other components in their original static-proof packaging until you are ready to install them.
2. During installation, wear a grounded wrist strap if possible. If you don't have a wrist strap, discharge static electricity by touching the bare metal of the system chassis.
3. Handle the mainboard carefully by the edges. Avoid touching the components unless it is absolutely necessary. During installation put the mainboard on top of the static-protection packaging it came in with the component side facing up.

Pre-Installation Inspection

1. Inspect the mainboard for damage to the components and connectors on the board.
2. If you suspect that the mainboard has been damaged, do not connect power to the system. Contact your mainboard vendor and report the damage.

Chapter 2

Mainboard Installation

To install this mainboard in a system, follow the procedures in this chapter:

- ❑ Identify the mainboard components
- ❑ Install a CPU
- ❑ Install one or more system memory modules
- ❑ Verify that any jumpers or switches are set correctly
- ❑ Install the mainboard in a system chassis (case)
- ❑ Connect any extension brackets or cables to the mainboard connector headers
- ❑ Install any other devices and make the appropriate connections to the mainboard connector headers.

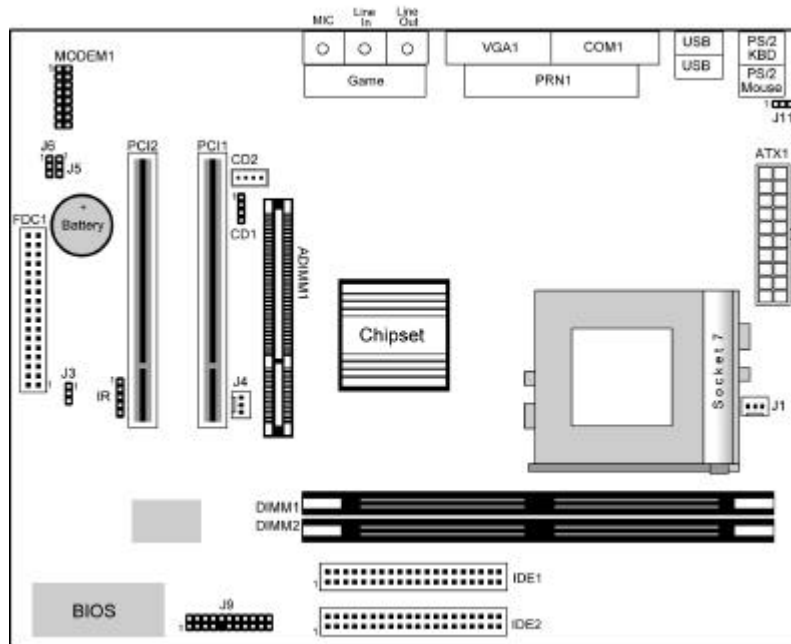
Note:

1. Before installing this mainboard, make sure jumper J3 is set to Normal, the default setting is set to Clear CMOS. See this chapter for information on locating J3 and the setting options.
2. Never connect power to the system during installation. Doing so may damage the mainboard.

MS6393E Mainboard User's Manual

Mainboard Components

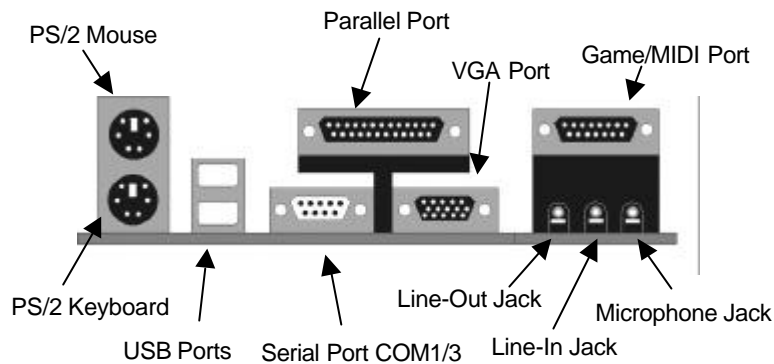
Use the diagram below to identify the major components on the mainboard.



Note: Any jumpers on your mainboard that do not appear in this illustration are for testing only.

I/O Ports

The illustration below shows a side view of the built-in I/O ports on the mainboard.



Install A CPU

This mainboard has a Socket-7 which may be installed with any of the socket-7 processors including the Intel P55C (MMX) series, the Cyrix/IBM 6x86L/6x86MX/MII series, the AMD K6/K6-2/K-III series, the IDT C6/Winchip 2/2A series. The mainboard supports system bus speeds of 60, 66, 75, 83, 90, 95, 100 MHz.

Do not try to install a Socket-370 processor in the Socket-7. A Socket-370 processor such as the PPGA Celeron or FCPGA Pentium III does not fit in the Socket-7.

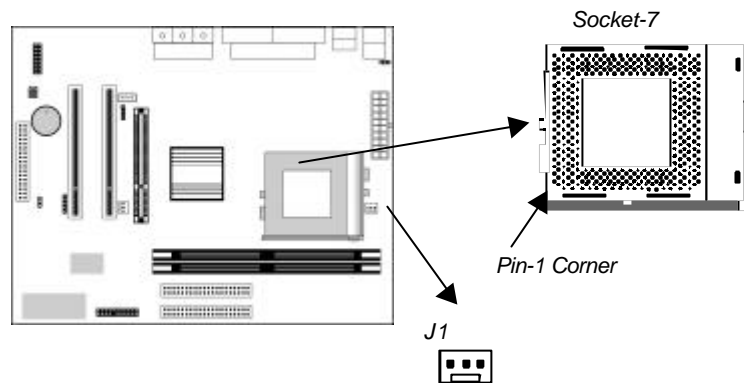
The board supports CPU plug and play, so the system can automatically run the installed processor with the correct clock speed and the correct system bus frequency. To automatically configure the processor, use the BIOS setup program to select the clock speed and system bus frequency. See chapter three for more information.

To ensure reliability, make sure that your socket-7 processor is fitted with a heatsink/cooling fan assembly.

MS6393E Mainboard User's Manual

The socket-7 processor installs into the ZIF (Zero Insertion Force) socket-7 on the mainboard.

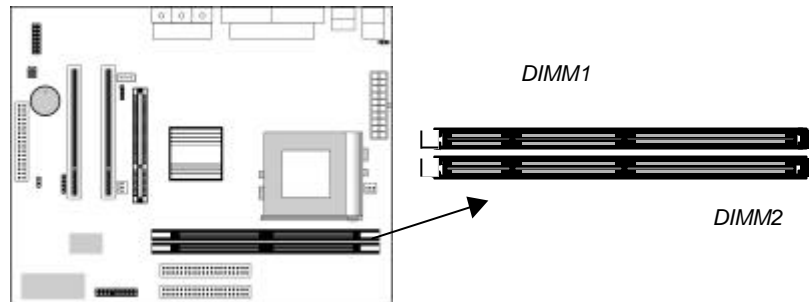
1. Locate the Socket-7 and J1. Pull the locking lever out slightly from the socket and raise it to the upright position.



2. On the processor, identify the Pin-1 corner by its beveled edge.
3. On the Socket-7, identify the Pin-1 corner. The Pin-1 corner is at the end of the locking lever when it is locked.
4. Match the Pin-1 corners and insert the processor into the socket. No force is required and the processor should drop into place freely.
5. Swing the locking lever down and hook it under the catch on the side of the socket. This secures the CPU in the socket.
6. All processors should be installed with a combination heatsink/cooling fan, connect the cable from the fan to the CPU fan power connector J1.

Install Memory

The mainboard has two DIMM sockets for system memory modules. You must install at least one memory module in order to use the mainboard.



For this mainboard, you must use 168-pin, 3.3V unbuffered SDRAM memory modules. If the installed CPU uses a 100 MHz system bus, you must use PC100 memory. If the installed CPU uses a 66 MHz system bus, you must use PC66 memory. You can install any size memory module from 16 MB to 512MB, so the maximum memory size is $2 \times 512\text{MB} = 1\text{GB}$.

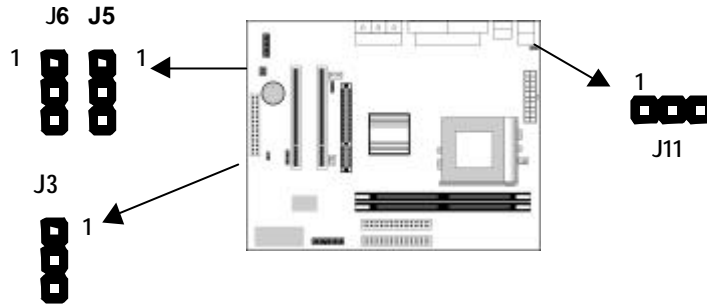
The edge connectors on the memory modules have cut outs, which coincide with spacers in the DIMM sockets so that memory modules can only be installed in the correct orientation.

To install a module, push the retaining latches at either end of the socket outwards. Position the memory module correctly and insert it into the DIMM socket. Press the module down into the socket so that the retaining latches rotate up and secure the module in place by fitting into notches on the edge of the module.

Setting Jumper Switches

Jumpers are sets of pins which can be connected together with jumper caps. The jumper caps change the way the mainboard operates by changing the electronic circuits on the mainboard. If a jumper cap connects two pins, we say the pins are **SHORT**. If a jumper cap is removed from two pins, the pins are **OPEN**.

MS6393E Mainboard User's Manual



Jumper J3: Clear CMOS Memory

Use this jumper to clear the contents of the CMOS memory. You may need to clear the CMOS memory if the settings in the Setup Utility are incorrect and prevent your mainboard from operating. To clear the CMOS memory, disconnect all the power cables from the mainboard and then move the jumper cap into the CLEAR setting for a few seconds.

Function	Jumper Setting
Normal Operation	Short Pins 1-2
Clear CMOS Memory	Short Pins 2-3

Jumper J5: Enable/Disable Fax/Modem

Use this jumper to enable or disable the onboard Fax/Modem connector. If the audio jumper J6 is disabled, the Fax/Modem is also disabled, no matter what J5 is set to.

Function	Jumper Setting
Enable Onboard Modem	Short Pins 1-2
Disable Onboard Modem	Short Pins 2-3

Jumper J6: Enable/Disable Onboard Audio

Use this jumper to enable or disable the onboard audio system. If you install another sound card, you must disable the onboard audio subsystem. If you use this jumper to disable the audio subsystem, it automatically disables the onboard Fax/Modem, even if Fax/Modem jumper J5 is enabled.

Function	Jumper Setting
Enable Audio	Short Pins 1-2
Disable Audio/Modem	Short Pins 2-3

Jumper J11: Keyboard Power On Selector

If you enable the keyboard power on feature, you can use hot keys on your keyboard as a power on/off switch for the system.

Note: The system must provide 1A on the +5VSB (+5V Standby) signal before using the Keyboard Power On function.

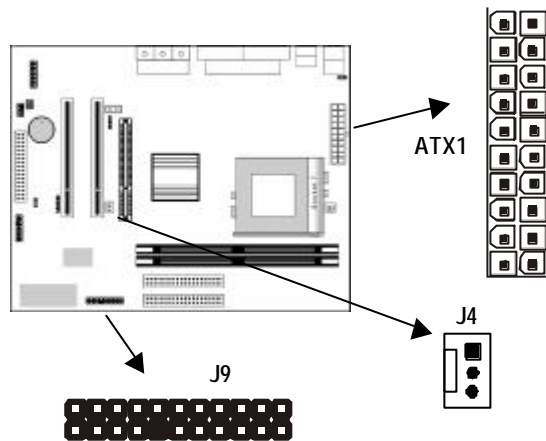
Function	Jumper Setting
Disable Keyboard Power On	Short Pins 1-2
Enable Keyboard Power On	Short Pins 2-3

MS6393E Mainboard User's Manual

Install the Mainboard

Install the mainboard in a system chassis (case). The board is a micro-ATX size mainboard with a twin-tier of I/O ports. You can install this mainboard in any ATX case. Special micro-ATX cases are also available with a reduced number of expansion slot bays and a smaller power supply unit. Ensure that your case has an I/O cover plate that matches the ports on this mainboard.

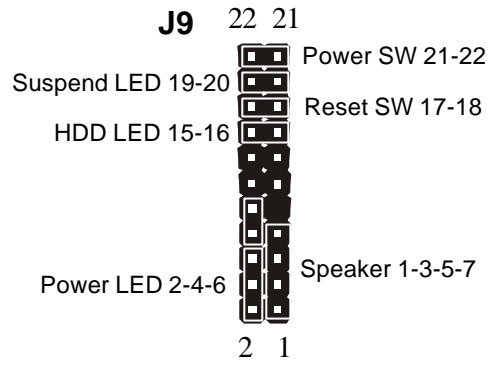
Install the mainboard in a case. Follow the instructions provided by the case manufacturer using the hardware and internal mounting points on the chassis.



Connect the power connector from the power supply to the ATX1 connector on the mainboard.

If there is a cooling fan installed in the system chassis, connect the cable from the cooling fan to the J4 fan power connector on the mainboard.

Connect the case switches and indicator LEDs to the J9 switch and LED connector header. See the illustration below for a guide to the J9 connector pin assignments.



MS6393E Mainboard User's Manual

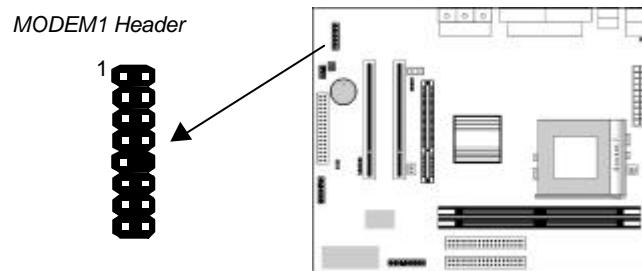
Install the Extension Brackets

The extension brackets are used to connect features on the mainboard to external connectors that can be attached to the system chassis. Follow the steps below to install the extension brackets.

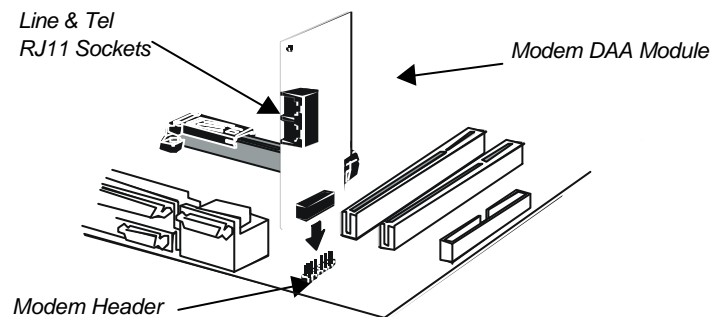
Note: All the ribbon cables used on the extension brackets have a red stripe on the Pin-1 side of the cable.

Fax/Modem Module

The Fax/Modem DAA module plugs directly into the mainboard in line with to an expansion slot opening in the system chassis. When you remove the slot cover from the system chassis, you can access the LINE and TEL RJ11 connectors on the metal edge of the Fax/Modem DAA module.

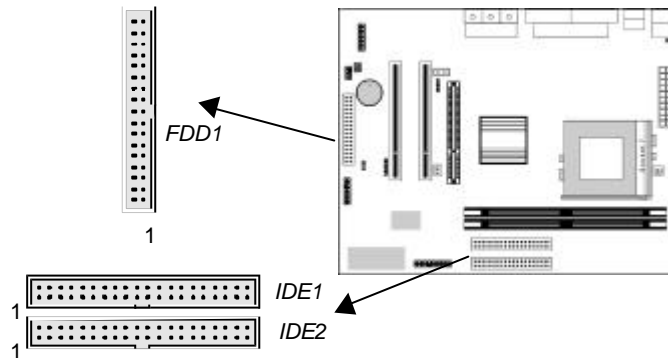


1. Locate the MODEM1 header on the mainboard.
2. Plug the Fax/Modem DAA module into the MODEM1 header.
3. Remove the modem header slot cover.



Install Other Devices

Install and connect any other devices in the system following the steps below.



Floppy Disk Drive

The mainboard ships with a floppy disk drive cable that can support one or two drives. Drives can be 3.5" or 5.25" wide, with capacities of 360K, 720K, 1.2MB, 1.44MB, or 2.88MB.

Install your drives and connect power from the system power supply. Use the cable provided to connect the drives to the floppy disk drive header FDD.

IDE Devices

IDE devices include hard disk drives, high-density diskette drives, and CD-ROM or DVD-ROM drives, among others.

The mainboard ships with an IDE cable that can support one or two IDE devices. If you connect two devices to a single cable, you must configure one of the drives as Master and one of the drives as Slave. The documentation of the IDE device will tell you how to configure the device as a Master or Slave device. The Master device connects to the end of the cable.

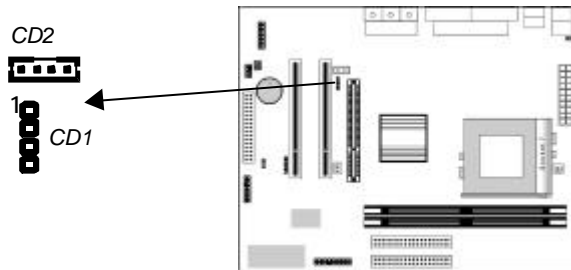
Install the device(s) and connect power from the system power supply. Use the cable provided to connect the device(s) to the Primary IDE channel connector IDE1 on the mainboard.

If you want to install more IDE devices, you can purchase a second IDE cable and connect one or two devices to the Secondary IDE channel connector IDE on the mainboard. If you have two devices on the cable, one must be Master and one must be Slave.

MS6393E Mainboard User's Manual

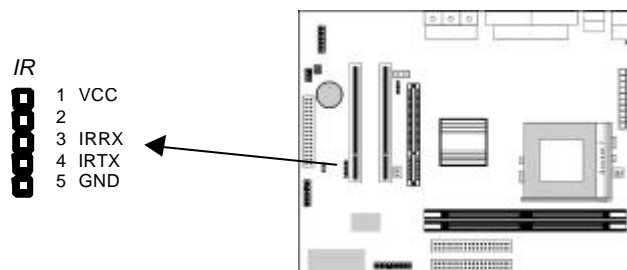
Internal Sound Connections

If you have installed a CD-ROM drive or DVD-ROM drive, you can connect the drive audio cable to the onboard sound system. On the mainboard, locate the two 4-pin connectors CD1 and CD2. There are two kinds of connector because different brands of CD-ROM drive have different kinds of audio cable connectors. Connect the cable to the appropriate connector.



Infrared Port

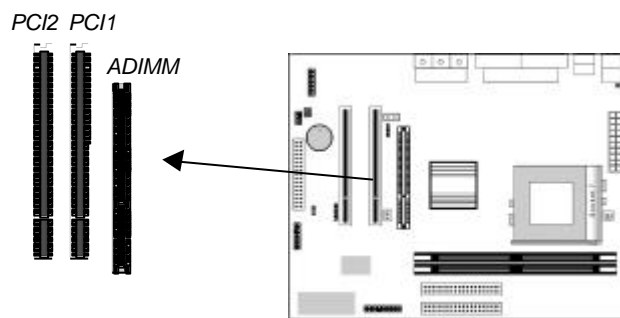
You can connect an infrared port to the mainboard. You can purchase this option from third-party vendors.



1. Locate the infrared port IR header on the mainboard.
2. If you are adding an infrared port, connect the ribbon cable from the port to the IR header and then secure the port to an appropriate place in your system chassis.

Expansion Slots

This mainboard has two 32-bit PCI expansion slots and one ADIMM slot. The PCI slot PCI1 is shared with the ADIMM slot, the PCI slot PCI2 is shared with the USB port. It means that you can use either one of shared both but you cannot use the both at the same time.



Follow the steps below to install a PCI expansion card.

1. Select a free PCI slot.
2. Remove the slot cover for the expansion slot from the system chassis.
3. Insert the expansion card edge connector into the slot and press it firmly down into it so that it is fully inserted.
4. Secure the expansion card bracket to the system chassis using the screw that held the slot cover in place.

ADIMM slot

ADIMM stands for Advanced Dual In-line Memory Module. Use this slot to install a display cache card or video bridge card.

You can purchase an optional SiS301 video bridge card which supports an NTSC/PAL video encoder with a Macrovision V7.1.L1 option for TV display, a TMDS[®] transmitter with bi-linear scaling capability for a TFT LCD panel display, or an analog RGB port to support a secondary CRT monitor display. These functions support dual-display features. The second display can display independent resolutions, color depths and frame rates different from the primary VGA display. The card receives digital video signals and control

MS6393E Mainboard User' s Manual

signals from the VGA circuitry and transforms them into composite or component video output for a TV display, TMDS® signals for an LCD display or analog RGB signals for a secondary CRT display.

Chapter 3

BIOS Setup Utility

Introduction

The BIOS Setup Utility records settings and information about your computer such as the date and time, the kind of hardware installed, and various configuration settings. Your computer uses this information to initialize all the components when booting up and functions as the basis for coordination between system components.

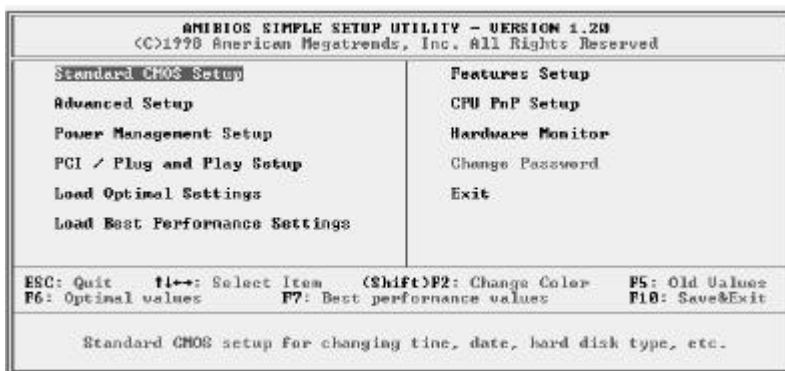
If the Setup Utility configuration is incorrect, it may cause the system to malfunction. It can even stop your computer from booting properly. If this happens, you can use the clear CMOS jumper to clear the CMOS memory used to store the configuration information, or you can hold down the **Page Up** key while you reboot your computer. Holding down the **Page Up** key also clears the CPU PnP Setup information, you may need to set the CPU speed again.

You can run the setup utility and manually make changes to the configuration. You might need to do this to configure some of the hardware that you install on or connect to the mainboard, such as the CPU, system memory, disk drives, etc.

MS6393E Mainboard User's Manual

Running the Setup Utility

Each time your computer starts, before the operating system loads, a message appears on the screen that prompts you to “Hit if you want to run SETUP”. When you see this message, press the **Delete** key and the Main menu page of the Setup Utility appears on your monitor.



You can use the cursor arrow keys to highlight any of the options on the main menu page. Press **Enter** to select the highlighted option. To leave the setup utility, press the **Escape** key. To cycle through the Setup Utility's optional color schemes hold down the **Shift** key and press **F2**.

Some of the options on the main menu page lead to tables of items with installed values. In these pages, use the cursor arrow keys to highlight the items, and then use the **PgUp** and **PgDn** keys to cycle through the alternate values for each of the items. Other options on the main menu page lead to dialog boxes which require you to answer Yes or No by hitting the **Y** or **N** keys.

If you have already made changes to the setup utility, press **F10** to save those changes and exit the utility. Press **F5** to reset the changes to the original values. Press **F6** to install the setup utility with a set of default values. Press **F7** to install the setup utility with a set of high-performance values.

Standard CMOS Setup Page

Use this page to set basic information such as the date and time, the IDE devices, and the diskette drives. If you press the F3 key, the system will automatically detect and configure the hard disks on the IDE channels.

AMIBIOS SETUP – STANDARD CMOS SETUP										
©1998 American Megatrends, Inc. All Rights Reserved										
Date (mm/dd/yy) : Tue Jan 27, 2000										
Time (hh/mm/ss) : 14:26:53										
	Type	Size	Cyln	Head	WPcom	Sec	LBA Mode	Blk Mode	PIO Mode	32Bit Mode
Pri Master	: Auto									Off
Pri Slave	: Auto									Off
Sec Master	: Auto									Off
Sec Slave	: Auto									Off
Floppy Drive A : 1.44MB 3 1/2"										
Floppy Drive B : Not Installed										
Month : Jan – Dec							ESC : Exit			
Day : 01 – 31							↑↓ : Select Item			
Year : 1901 – 2099							PU/PD/+/- : Modify			
							(Shift)F2 : Color			
							F3 : Detect All HDD			

Date & Time	Use these items to set the system date and time
Pri Master	Use these items to configure devices connected to the Primary and Secondary IDE channels. To configure an IDE hard disk drive, choose <i>Auto</i> . If the <i>Auto</i> setting fails to find a hard disk drive, set it to <i>User</i> , and then fill in the hard disk characteristics (Size, Cyls, etc.) manually. If you have a CD-ROM drive, select the setting <i>CDROM</i> . If you have an ATAPI device with removable media (e.g. a ZIP drive or an LS-120) select <i>Floptical</i> .
Pri Slave	
Sec Master	
Sec Slave	
Floppy Drive A	Use these items to set the size and capacity of the floppy diskette drive(s) installed in the system.
Floppy Drive B	

MS6393E Mainboard User's Manual

Advanced Setup Page

Use this page to set more advanced information about your system. Take some care with this page. Making changes can affect the operation of your computer.

AMIBIOS SETUP – ADVANCED SETUP	
©1998 American Megatrends, Inc. All Rights Reserved	
Trend ChipAwayVirus	Enabled
Share Memory Size	16MB
1 st Boot Device	IDE-0
2 nd Boot Device	Floppy
3 rd Boot Device	CDROM
Try Other Boot Devices	Yes
S.M.A.R.T. for Hard Disks	Disabled
BootUp Num-Lock	On
Floppy Drive Swap	Disabled
Floppy Drive Seek	Disabled
PS/2 Mouse Support	Enabled
Password Check	Setup
Boot To OS/2 > 64MB	No
Internal Cache	Enabled
External Cache	Enabled
System BIOS Cacheable	Disabled
ESC : Quit ↑↓←→ : Select Item F1 : Help PU/PD/+/- : Modify F5 : Old Values (Shift)F2 : Color F6 : Load Optimal values F7 : Load Best performance values	

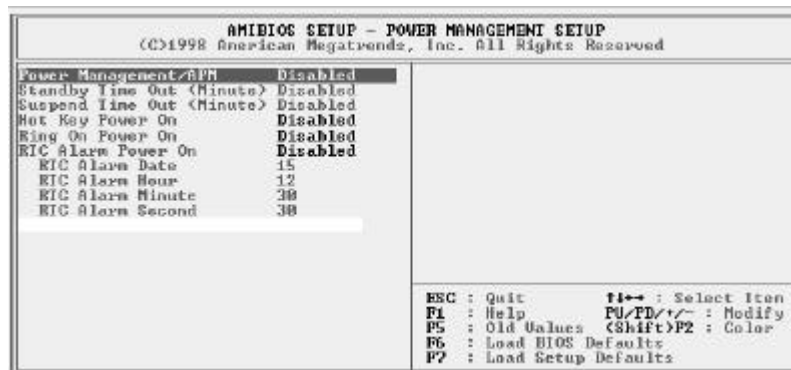
Trend ChipAway Virus	This mainboard has built-in virus protection in the firmware. Use this item to enable or disable the built-in virus protection.
Frame Buffer Cache Control	This item appears when a Frame Buffer Cache card is installed in the ADIMM socket. The default setting, Auto, automatically sets the display memory size. The Manual setting uses the next item to manually set display memory size.
Share Memory Size	This item lets you allocate a portion of the main memory for use by the onboard VGA display.
1st Boot Device 2nd Boot Device 3rd Boot Device	Use these items to determine the device order the computer uses to look for an operating system to load at start-up time.
Try Other Boot Device	If you enable this item, the system will also search for other boot devices if it fails to find an operating system from the first two locations.
S.M.A.R.T. for Hard Disks	Enable this item if any IDE hard disks support the S.M.A.R.T. (Self-Monitoring, Analysis and Reporting Technology) feature.

BootUp Num-Lock	This items determines if the Num Lock key is active or inactive at system start-up time.
Floppy Drive Swap	If you have two diskette drives installed and you enable this item, drive A becomes drive B and drive B becomes drive A.
Floppy Drive Seek	If you enable this item, your system will check all floppy disk drives at start up. Disable this item unless you are using an old 360KB drive.
PS/2 Mouse Support	If this item is set to Enabled, the onboard PS/2 Mouse port will work. Setting this to Disable turns off the port.
Password Check	If you have entered a password for the system, use this item to determine if the password is required to enter the Setup Utility (<i>Setup</i>) or required both at start-up and to enter the Setup Utility (<i>Always</i>).
Boot to OS/2 > 64MB	Enable this item if you are booting the OS/2 operating system and you have more than 64MB of system memory installed.
Internal Cache	Leave this item enabled since all the processors that can be installed on this board have internal cache memory.
External Cache	Leave this item enabled since all the processors that can be installed on this board have external cache memory.
System BIOS Cacheable	If you enable this item, a segment of the system BIOS will be cached to main memory for faster execution.

MS6393E Mainboard User's Manual

Power Management Setup Page

This page sets some of the parameters for system power management operation.



Power Management/ACPI	Use this item to enable or disable a power management scheme. If you enable power management, you can use the items below to set the power management operation. Both APM and ACPI are supported.
Standby Time Out (Minute)	This sets the timeout for Standby mode in minutes. If the time selected passes without any system activity, the computer will enter power-saving Standby mode.
Suspend Time Out (Minute)	This sets the timeout for Suspend mode in minutes. If the time selected passes without any system activity, the computer will enter power-saving Suspend mode.
Hot Key Power On	If you enable this item, you can turn the system on by pressing hot keys (Ctrl + Alt + Back Space) on the keyboard. You must connect an ATX power supply and enable this function jumper in order to use this feature.

Ring On Power On	The system can be turned off with a software command. If you enable this item, the system can automatically resume if there is an incoming call on the Fax/Modem. You must use an ATX power supply in order to use this feature.
RTC Alarm Power On	The system can be turned off with a software command. If you enable this item, the system can automatically resume at a fixed time based on the system's RTC (realtime clock). Use the items below this one to set the date and time of the wake-up alarm. You must use an ATX power supply in order to use this feature.

MS6393E Mainboard User's Manual

PCI / Plug and Play Setup Page

This page sets some of the parameters for devices installed on the PCI bus and devices that use the system plug and play capability.



Plug and Play Aware O/S	Enable this item if you are using an O/S that supports Plug and Play such as Windows 95 or 98.
Primary Graphics Adapter	This item indicates if the primary graphics adapter uses the PCI or the AGP bus. The default PCI setting still lets the onboard display work and allows the use of a second display card installed in a PCI slot.
Allocate IRQ to PCI VGA	If this item is enabled, an IRQ will be assigned to the PCI VGA graphics system. You set this value to No to free up an IRQ.
Reserved Memory Size	This item lets you reserve a block of memory for any device that requires it.
Reserved Memory Address	This item lets you set the address for any block of memory that has been reserved.

Load Optimal Settings

If you select this item and press **Enter** a dialog box appears. If you press **Y**, and then **Enter**, the Setup Utility loads a set of fail-safe default values. These default values are not very demanding and they should allow your system to function with most kinds of hardware and memory chips.

Load Best Performance Settings

If you select this item and press **Enter** a dialog box appears. If you press **Y**, and then **Enter**, the Setup Utility loads a set of best-performance default values. These default are quite demanding and your system might not function properly if you are using slower memory chips or other low-performance components.

MS6393E Mainboard User's Manual

Features Setup Page

This page sets some of the parameters for peripheral devices connected to the system.

AMIBIOS SETUP – FEATURES SETUP	
©1998 American Megatrends, Inc. All Rights Reserved	
OnBoard FDC	Enabled
OnBoard Serial PortA	3F8h/COM1
OnBoard IR Port	Disabled
OnBoard Parallel Port	378h
Parallel Port Mode	SPP
Parallel Port IRQ	7
Parallel Port DMA	N/A
OnBoard PCI IDE	Both
Ultra DMA Support	Disabled
OnBoard Audio/Modem	Enabled
USB Function	Disabled
USB Function for DOS	Disabled
ESC : Quit ↑↓←→ : Select Item F1 : Help PU/PD/+/- : Modify F5 : Old Values (Shift)F2 : Color F6 : Load Optimal values F7 : Load Best performance values	

OnBoard FDC	Use this item to enable or disable the onboard floppy disk drive interface.
OnBoard Serial PortA	Use this item to enable or disable the onboard COM1 serial port, and to assign a port address
OnBoard IR Port	Use this item to define the protocol for an infrared port if you have installed an optional IR port. The choices are IrDA and ASKIR.
Onboard Parallel Port	Use this item to enable or disable the onboard LPT1 parallel port, and to assign a port address. The Auto setting will detect and available address.
Parallel Port Mode	Use this item to set the parallel port mode. You can select SPP (Standard Parallel Port), ECP (Extended Capabilities Port), EPP (Enhanced Parallel Port), or ECP + EPP.
Parallel Port IRQ	Use this item to assign either IRQ 5 or 7 to the parallel port.
Parallel Port DMA	Use this item to assign a DMA channel to the parallel port. The options are 0, 1 and 3.

Onboard PCI IDE	Use this item to enable or disable either or both of the onboard Primary and Secondary IDE channels.
Ultra DMA Support	Use this item to set Ultra DMA support for IDE devices on the Primary or Secondary IDE channels. You must enable this or UDMA devices will not work at their intended speed.
Onboard Audio/Modem	Use this item to enable or disable the onboard audio/modem chip.
USB Function	Enable this item if you plan to use the USB ports on this mainboard.
USB Function for DOS	Enable this item if you plan to use the USB ports on this mainboard in a DOS environment.

MS6393E Mainboard User's Manual

CPU PnP Setup Page

This page lets you manually configure the mainboard for the CPU. The system will automatically detect the kind of CPU that you have installed and make the appropriate adjustments to the items on this page.

Note: If you manually set the wrong speed and the system won't run properly, press the **Page Up** key while the system is booting and a default setting will replace the incorrect CPU setting.

AMIBIOS SETUP – CPU PnP SETUP	
©1998 American Megatrends, Inc. All Rights Reserved	
CPU Plug and Play	Auto
CPU Brand	
VCCore Voltage	2.0V
CPU Speed	450 MHz
CPU Base Frequency	100 MHz
CPU Multiplier Factory	X4.5
ESC : Quit ↑↓←→ : Select Item F1 : Help PU/PD/+/- : Modify F5 : Old Values (Shift)F2 : Color F6 : Load Optimal values F7 : Load Best performance values	

CPU Plug and Play	Use this item to select the CPU Plug and Play function by auto-detect or user-define.
CPU Brand; VCCore Voltage	These items display the CPU brand and CPU core voltage by the system automatic detecting.
CPU Speed	The item displays the internal clock speed of the CPU, based on the next two items.
CPU Base Frequency	Use this item to set the external clock frequency for the CPU. Set the CPU clock based on the requirements of the CPU installed on the board.
CPU Multiple Factory	Use this item to set a multiplier for the CPU external frequency. The multiplier times the external CPU frequency sets the internal clock speed of the CPU, e.g. 100 MHz (external clock or "FSB") x 4.5 (multiplier) = 450 MHz (internal clock speed of the installed CPU).

Hardware Monitor Page

This page sets some of the parameters for the hardware monitoring function of this mainboard.

AMIBIOS SETUP – HARDWARE Monitor	
©1998 American Megatrends, Inc. All Rights Reserved	
--- Hardware Monitor ---	
CPU Temperature	30°C/86°F
System Temperature	
CPU Fan Speed	
Chassis Fan Speed	
Vcore	2.000 V
+1.800V	1.800 V
Vcc3	3.300 V
Vcc	5.000 V
+12V	12.000 V
SB5V	5.000 V
ESC : Quit ↑↓←→ : Select Item F1 : Help PU/PD/+/- : Modify F5 : Old Values (Shift)F2 : Color F6 : Load Optimal values F7 : Load Best performance values	

CPU / System Temperature	These items display CPU/system temperature measurement.
FAN Speeds & Voltage Measurements	These items indicate cooling fan speeds in RPM and the various system voltage measurements.

MS6393E Mainboard User's Manual

Change Password

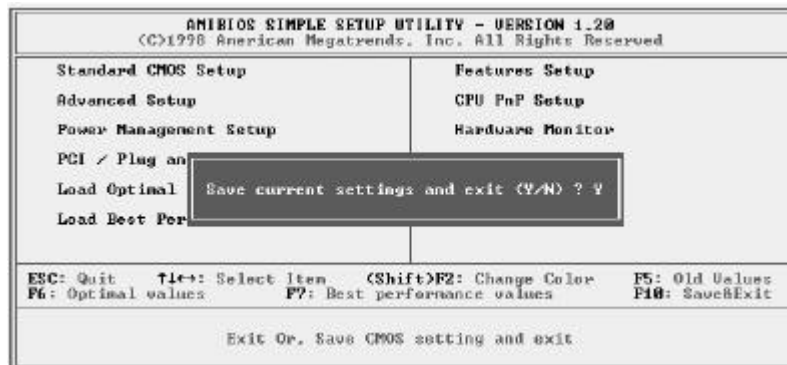
If you highlight this item and press **Enter**, a dialog box appears which lets you enter a Supervisor password. You can enter no more than six letters or numbers. Press **Enter** after you have typed in the password. A second dialog box asks you to retype the password for confirmation. Press **Enter** after you have retyped it correctly. The password is then required to access the Setup Utility or for that and at start-up, depending on the setting of the Password Check item in Advanced Setup.

Change or Remove the Password

Highlight this item, press Enter and type in the current password. At the next dialog box, type in the new password, or just press Enter to disable password protection.

Exit

Highlight this item and press **Enter** to save the changes that you have made in the Setup Utility configuration and exit the program. When the Save and Exit dialog box appears, press **Y** to save and exit, or press **N** to exit without saving.



Chapter 4

Software & Applications

Introduction

The support software CD-ROM that is included in the mainboard package contains all the drivers and utility programs needed to properly run our products. Please check all the README files for the latest information on installing and using the software.

Using the PCI Sound Application

1. Before you install the PCI Sound drivers, make sure your Operating System has been installed, otherwise the PCI Sound might be detected as “Other device” by the device manager of your OS.
2. After the drivers are properly installed, choose the MULTIMEDIA icon in the CONTROL PANEL when you need to use the Software Wave-Table drivers as a MIDI output device. Select the MIDI page and click on “C-media SoftMidi Synthesis (Win98) / Driver (Win95)”, then click “OK” to confirm.
3. A Windows application named Audio Rack is provided with the PCI Sound drivers, which gives you control over all the audio functions through a user interface that is as simple to use as a home stereo system. We recommend that you use the System Mixer in the Audio Rack software to control your computer’s audio volume, recording device and the recording gain.

MS6393E Mainboard User's Manual

4. If the devices that you are using require the MIDI port as the control interface, you need to select the MULTIMEDIA icon in the CONTROL PANEL. Select the MIDI page and click on "CM8738 MPU-401" (Win98) or "CM8738/C3DX PCI Audio External MIDI Port" (Win95), and then click "OK" to confirm.
5. For more information, refer to the PCI Sound manual in the CD which ships with this mainboard.

The Four Speakers System

The onboard Sound Pro audio system supports 2 wave channels (front/rear) known as the 4 speaker system. If you are running applications which use the DirectSound®3D or A3D®audio interface, your system can simulate realistic 3D sound through a 4 speaker setup. Follow the steps below to install a 4-speaker setup.

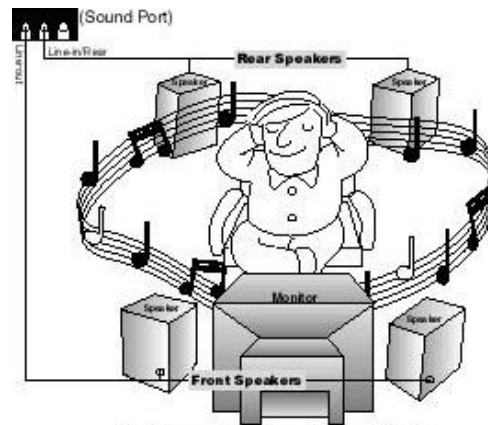
Speaker Installation

Connect the front two speakers to the Line-out jack on the sound ports extension bracket. Connect the rear two speakers to the Line-in/Rear jack on the sound ports extension bracket. The original Line-in can be moved to Aux.

Speaker Position

Set up your speakers similar to the following figure to get the best audio result.

4: Software & Applications



A picture on the 4 speakers application.

Mixer Setup

There is a 4-speakers option in the Volume Control of the Mixer when you are setting up the PCI Audio Application. Click on the 4 SPK icon to enable this option. This means that the output to the rear speakers is sent through the Line-in/Rear jack. In order to avoid hardware conflicts, **DO NOT** enable this option when the Line-in/Rear jack is connected with a line-in device. While the 4 speakers mode is enabled, turn on/off the output of the front speakers and adjust the volume of the speakers so that the front/rear speakers have the same volume.

Demo

Execute the “Helicopter” demo in the C3D HRTF Positional Audio Demos of the PCI Audio Application. When you hear the helicopter flying behind you, it means that the rear speakers are working properly.