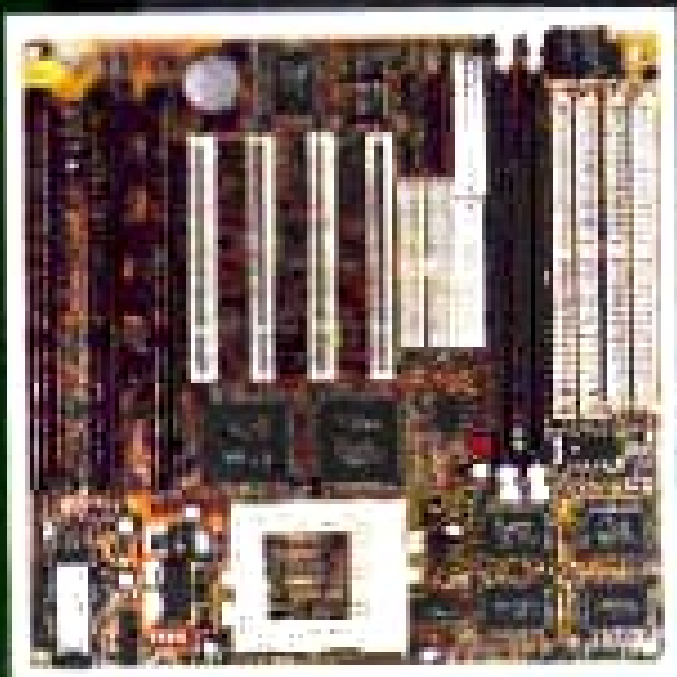


MAINBOARD

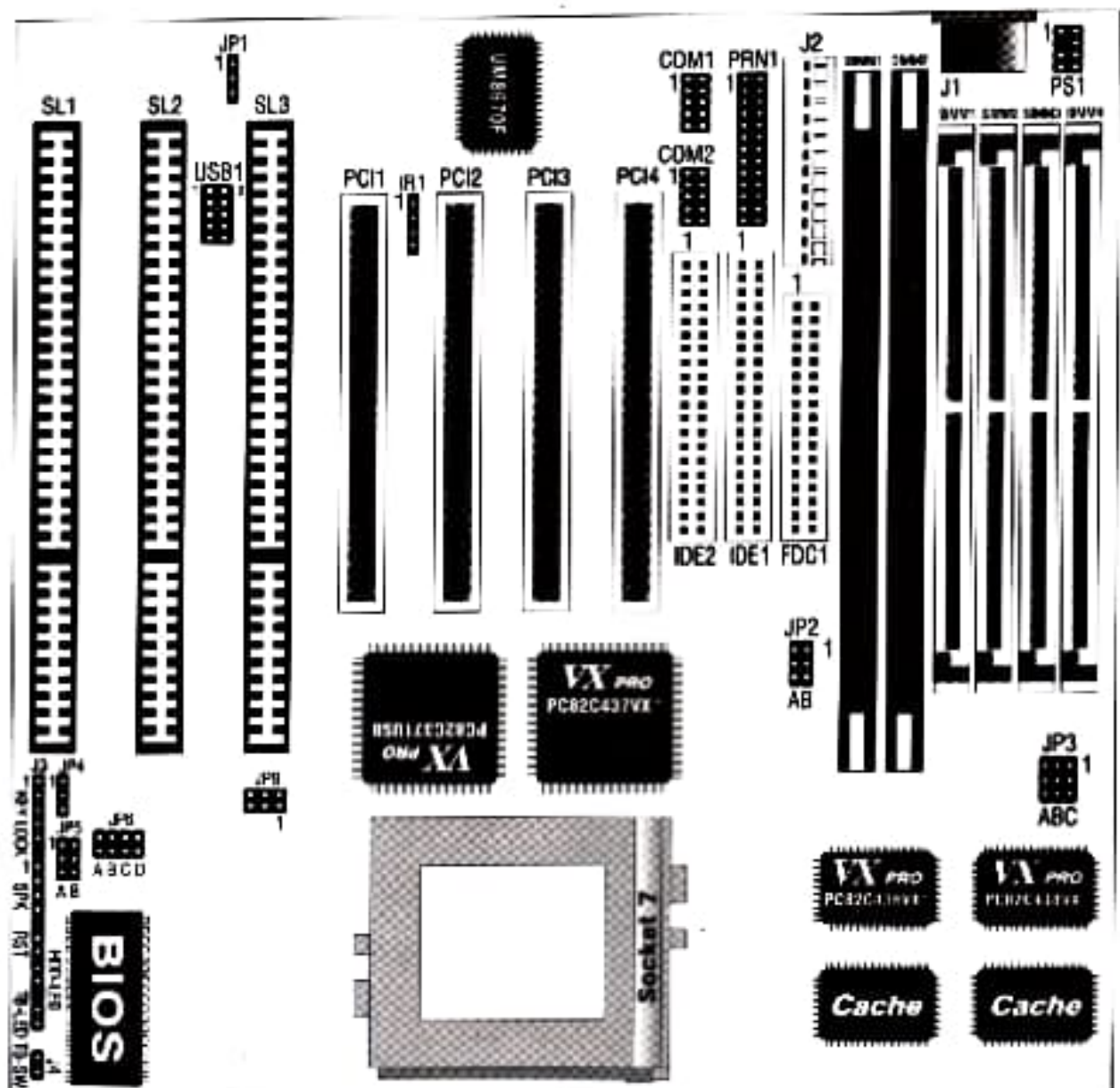
PENTIUM® MMX™

New Generation Vx86® Chipset
PCI Bus and ISA Bus



- 5.0 VOLT CPU (3.3V)
- Fully Compatible with Intel MMX™ Pentium® MMX™ Processor
- Supports MMX™ Technology

Component Locations



Quick Installation Guide

1. Set JP1 to CMOS RAM discharge jumper (pin 1-2)
2. Set JP3 to select CPU speed
3. Set JP5 to select CPU Internal Clock Speed
4. Set JP6(A, B, C, D) to select CPU Core Voltage
5. Insert CPU to CPU socket
6. Set JP9 to select P54C or P55C CPU
7. Insert 72-pin SIMM modules into SIMM1-4 and/or insert 168-pin DIMM modules into DIMM1-2, notice that DIMM2 and SIMM1, 2 can not be installed at the same time
8. Set JP2 to select voltage of DIMM module (if DIMM installed).
9. Install mainboard into system chassis
10. Connect keyboard to J1
11. Insert the display card and other peripheral cards (if required) onto the mainboard
12. Connect harddisk(s) to IDE primary/secondary connector(s)
13. Connect floppy drive(s) to FDC1 connector
14. Connect serial port to COM1 and COM2 connectors
15. Connect parallel port to PRN1 connector
16. Connect J3(HDD-LED) to "Hard Disk Busy" LED on the system chassis
17. Connect J3(TB-LED) to Turbo LED on the system chassis
18. Connect J3(RST) to Reset Switch on the system chassis
19. Connect J3(SPK) to Speaker on the system chassis
20. Connect J3(KEYLOCK) to keylock and power LED on the system chassis
21. Connect power cord to J2 Power Supply Connector
22. Close system chassis, connect all external cables to your computer.

Jumper Settings

JP1: CMOS RAM Discharge Jumper

pin	Description
1	Internal Battery
2	CMOS
3	Ground

Description	JP1
Normal Mode	
Clear CMOS	

JP3(A, B, C): CPU Speed Jumpers

CPU Clock	JP3
50MHz	
55MHz	
60MHz	
66MHz	
75MHz	

JP5: CPU Internal Clock Speed Jumpers

IDT	Intel	Cyrix	AMD	JP5
Reserved	1.5X / 3.5X	Reserved	K5 1.5X / K6 3.5X	
Reserved	2.0X	2.0X	Reserved	
Reserved	2.5X	M2 2.5X	2.5X	
C6 3.0X	3.0X	M2 3.0X	K6 3.0X	

JP3(D): PCI clock Jumper

PCI Clock	JP3
CPU CLK/2	
33 MHz	





Note: If system run in 75/83 MHz, JP3(D) must be set to 33MHz position.

Jumper Settings

J2: Power Supply Connector

pin	Description	pin	Description
1	Power Good	7	Ground
2	+5VDC	8	Ground
3	+12VDC	9	-5VDC
4	-12VDC	10	+5VDC
5	Ground	11	+5VDC
6	Ground	12	+5VDC

JP4: Flash ROM Voltage Jumper

Description	JP4
12 Voltage Flash Programming	1  12V  5V
5 Voltage Flash Programming	1  12V  5V

IR1: Infra Red

pin	Description
1	IR In
2	Ground
3	IR Out
4	+5VDC

PS1: PS/2 Mouse Pin Connector

pin	Description
1	Mouse CLK
2	Ground
3	N.C.
4	Mouse Data
5,6,7	N.C.
8	+5VDC

USB1: 2 Sets of Universal Serial Bus Connector

pin	Description
1,2	+5VDC
3,4	Data-
5,6	Data+
7,8	Ground
9,10	Ground

Jumper Settings

J1: Keyboard Connector

A standard five-pin female DIN keyboard connector is located at the rear of board J1.

pin	Description
1	Keyboard Clock
2	Keyboard Data
3	N.C.
4	Ground
5	+5VDC

J3(HDD-LED): Hard Disk LED Connector

pin	Description
1	Anode(+)
2	Cathode(-), Ground

J3(TB-LED): Turbo LED Connector

pin	Description
1	Anode(+)
2	Cathode(-), Ground

J3(RST): Reset Switch Connector

Setting	Description
Open	Normal Mode
Short	Reset System

J3(KEYLOCK): Keylock & Power LED Connector






pin	Description
1	LED Output
2	N.C.
3	Ground
4	Keylock
5	Ground

J3(SPK): Speaker Connector


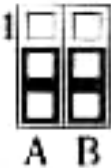
pin	Description
1	Speaker Out
2	Ground
3	Ground
4	+5VDC

Jumper Settings







JP6(A,B,C,D): CPU Core Voltage Jumpers

	Setting		Setting
3.5V		2.8V	
3.2V		2.5V	
2.9V			

JP9: CPU Type Jumpers

CPU	Setting	Example
P55C (Dual Voltage)		Intel MMX™, AMD K6, IBM/Cyrix 6x86L, M2
P54C (Single Voltage)		Intel MMX™, AMD K6, IBM/Cyrix 6x86L/ 6x86MX(M2), IDTC6

JP2: DIMM Module Voltage Jumpers

Description	JP2
For SDRAM DIMM Module(3.3V)	 5V  1 3.3V  A B
For EDO DRAM/Fast Page DRAM DIMM Module(5V)	 5V  1 3.3V  A B

Specification

- **VXpro™ Pentium MMX™ chipset**
- **Supports 75~233 MHz Pentium™ CPUs with 321-pin ZIF socket**
- **Supports Pentium™ P54C and P55C, IBM/Cyrix 6x86/6x86L/6x86MX(M2), and AMD K5/K6, IDT C6 CPUs**
- **Supports 64M-bit (16Mx4, 8Mx8, 4Mx16) technology DRAM/SDRAM**
- **Switching power provide CPU core voltage from 2.5V to 3.5V**
- **Uses four 72-pin EDO/Page Mode SIMM modules auto banking in multiple configuration up to 256MB**
- **Provides two 168-pin DIMM to support SDRAM/EDO DRAM/Page Mode DRAM, supports "Table Free" configuration so that DIMM and SIMM can be installed in any combinations up to 384MB, except that SIMM 1, 2 and DIMM 2 can not be installed at the same time**
- **Supports 512KB onboard Pipelined Burst synchronous cache**
- **Three 16 bits ISA Bus slots and four PCI Local Bus slots, all four PCI slots support Master Mode**
- **System BIOS supports four IDE harddisk drives without device driver for S/W application and the capacity of each harddisk can be larger than 528MB up to 8.4GB**
- **Onboard PCI Bus Master IDE interface with two connectors, supports four IDE devices in 2 channels and the PCI IDE Controller, supports PIO Mode 0 to Mode 4 at maximum transfer rate of 16.67MB/s and Bus Master IDE DMA Mode 2**
- **Onboard super Multi-I/O chip that supports two serial ports with 16550 Fast UART compatible, one parallel port with EPP and ECP capabilities, and one floppy disk drive interface**
- **Supports PS/2™ mouse and the Universal Serial Bus (USB)**
- **System BIOS supports NCR810 SCSI BIOS firmware, Green feature function, "Plugand Play" Flash ROM**

