

# Field Replaceable Units



# 1

## Removing FRUs

### Tools

Have the following tools available:

- A Phillips screwdriver
- An antistatic wrist strap (recommended, but not required)

### Disconnect External Devices and Power

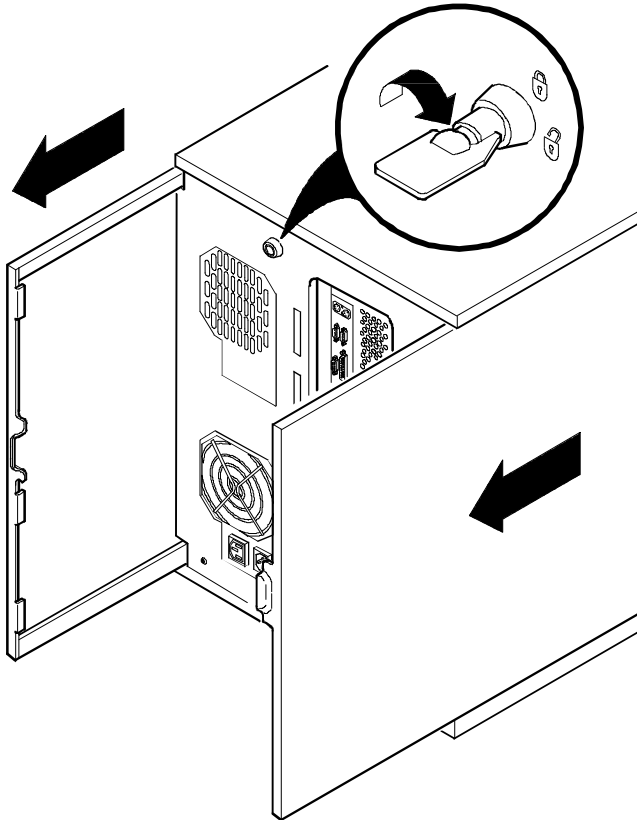
1. Turn off power to all external devices connected to server.
2. Turn server off.
3. Disconnect power from wall outlet.
4. Disconnect power cord and monitor cord from server.

## Remove Side Panels



**WARNING:** Removing the side panels activates the power interlock switches located at the top-left and top-right of your server. These switches turn off power to your server. You might injure yourself or damage your server if you attempt to bypass these switches.

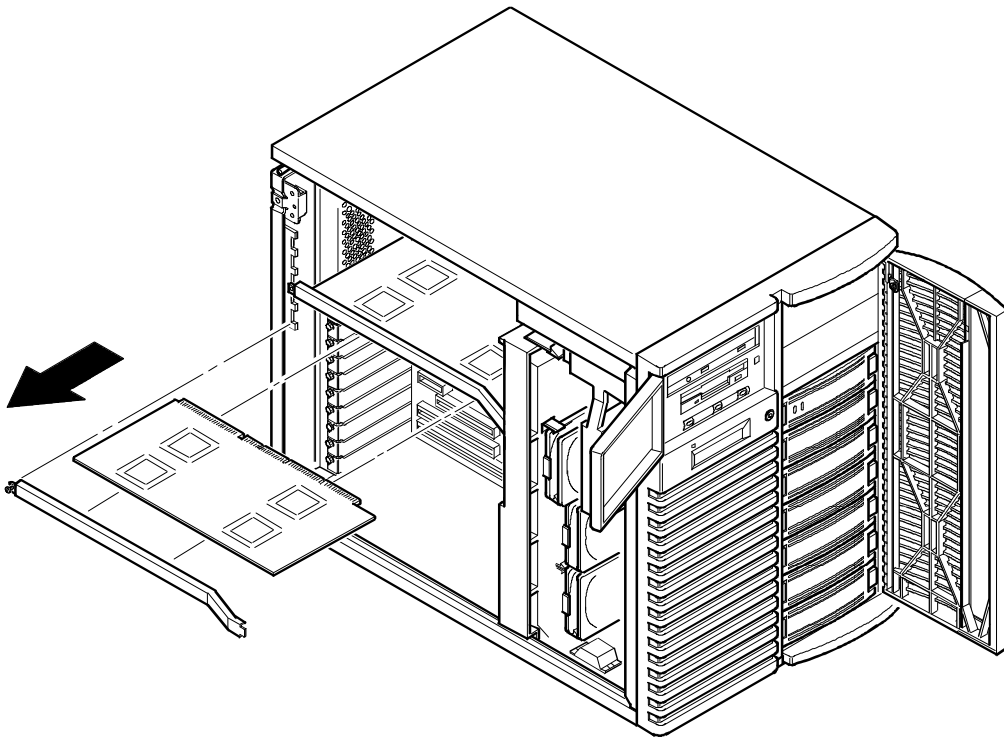
1. Unlock side panels.
2. Slide panels to rear of server.



DEC00405-2

## Remove CPU Module

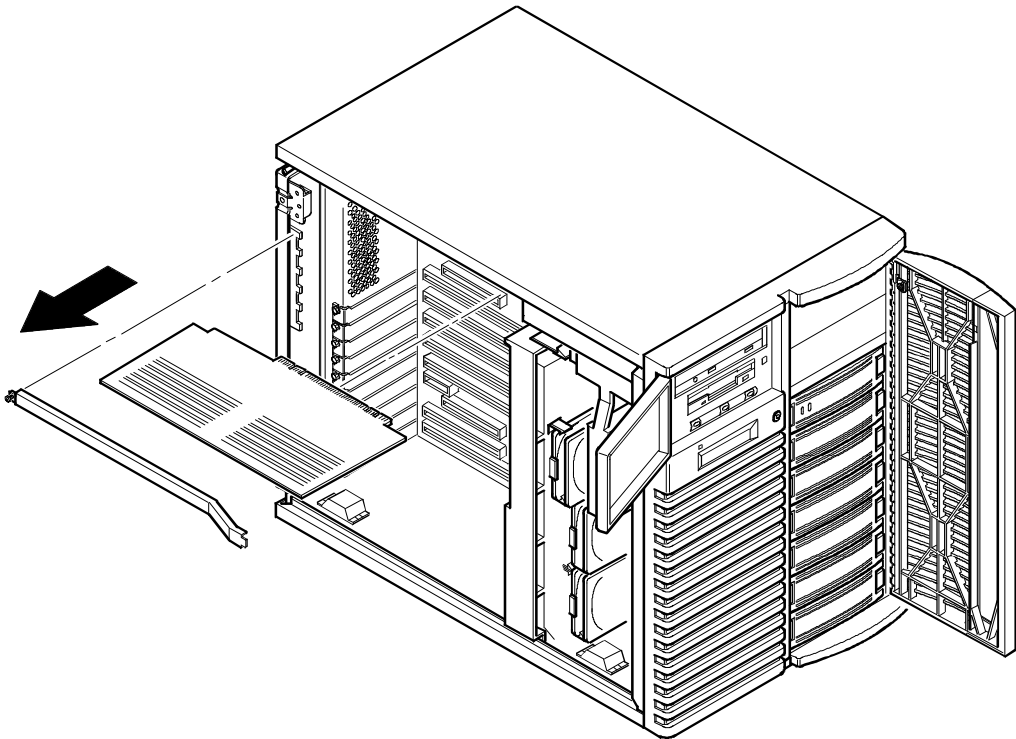
1. Turn off server.
2. Unlock and remove left side panel.
3. Remove CPU module retaining bracket.
4. Remove CPU module.



DEC00727-2

## Remove Memory Module

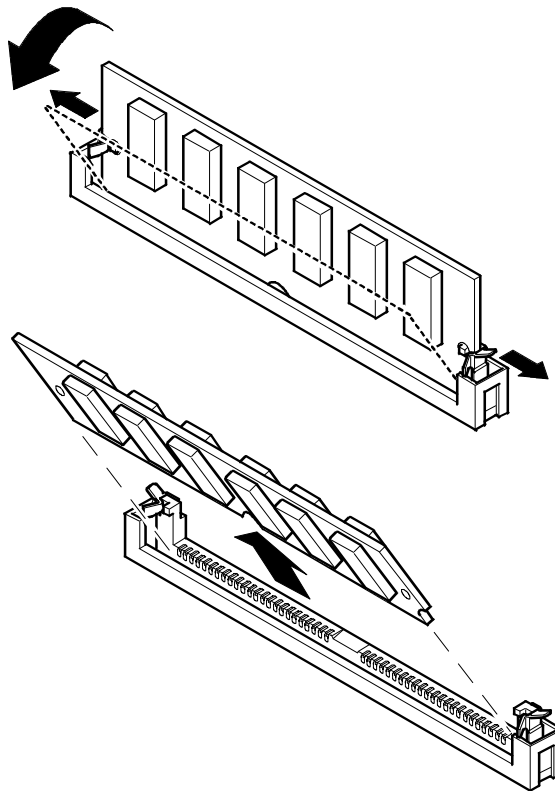
1. Turn off server.
2. Unlock and remove left side panel.
3. Remove memory module retaining bracket.
4. Remove memory module.



DEC00727-3

## Remove SIMMs

1. Turn off server.
2. Remove memory module
3. Unlock and remove left side panel.
4. Press SIMM retaining clips out.
5. Push SIMM down and pull out of socket.



DEC00771

## Remove Real-Time Clock (RTC)

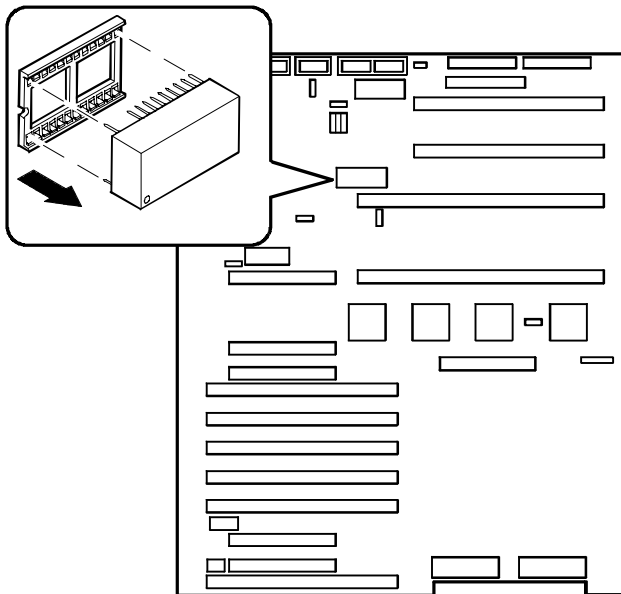
1. Turn off server.
2. Unlock and remove left side panel.
3. Remove RTC.



**WARNING:** Danger of explosion if battery is incorrectly replaced. Replace only with the same or equivalent type recommended by the equipment manufacturer. Discard used batteries according to manufacturer's instructions.



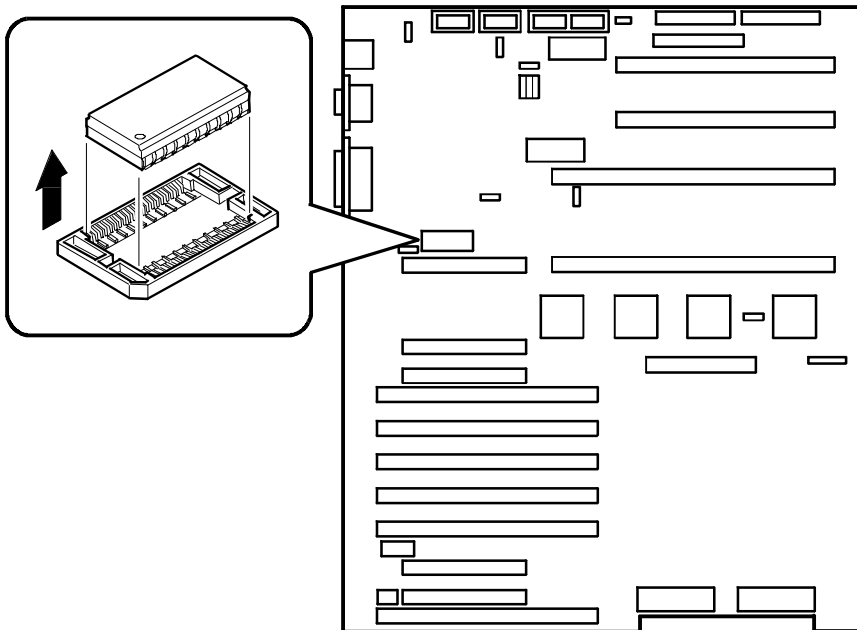
**CAUTION:** Depending on your locality, your server's RTC might be considered hazardous waste. Make sure you follow any state or local statute to properly dispose of the old RTC.



DEC00726-7

## Remove Video Memory

1. Turn off server.
2. Unlock and remove left side panel.
3. Remove video memory.
4. Remove video memory.

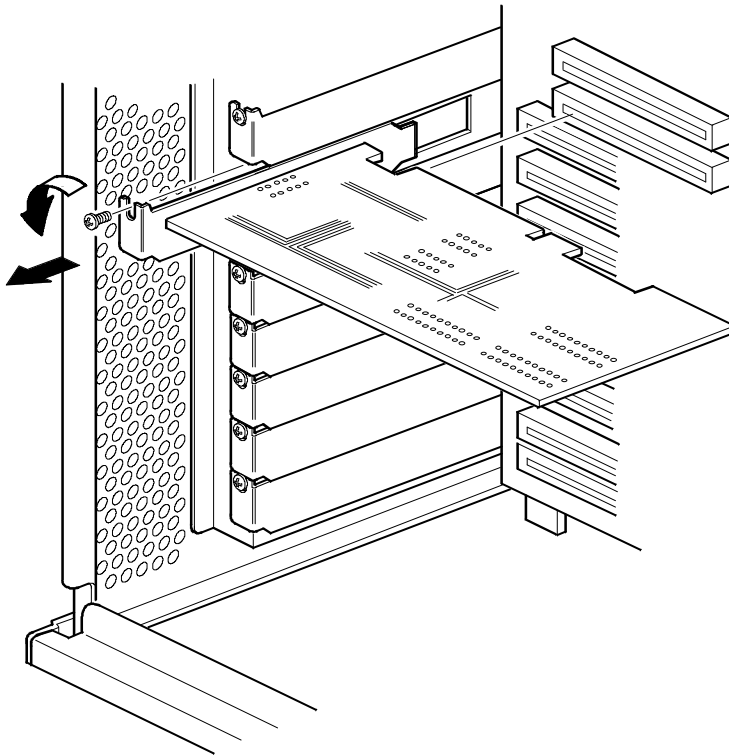


DEC00726-8



## Remove Expansion Boards

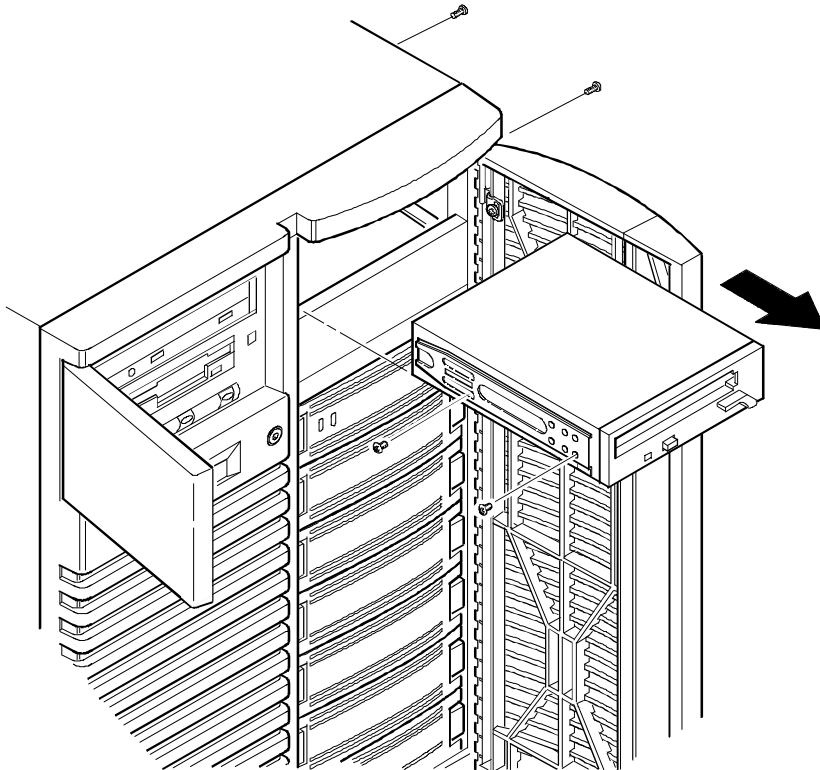
1. Turn off server.
2. Unlock and remove left side panel.
3. Remove screw.
4. Gently pull expansion board from socket.



DEC00730-5

## Remove 5¼-Inch Device from Top-Right Drive Bay

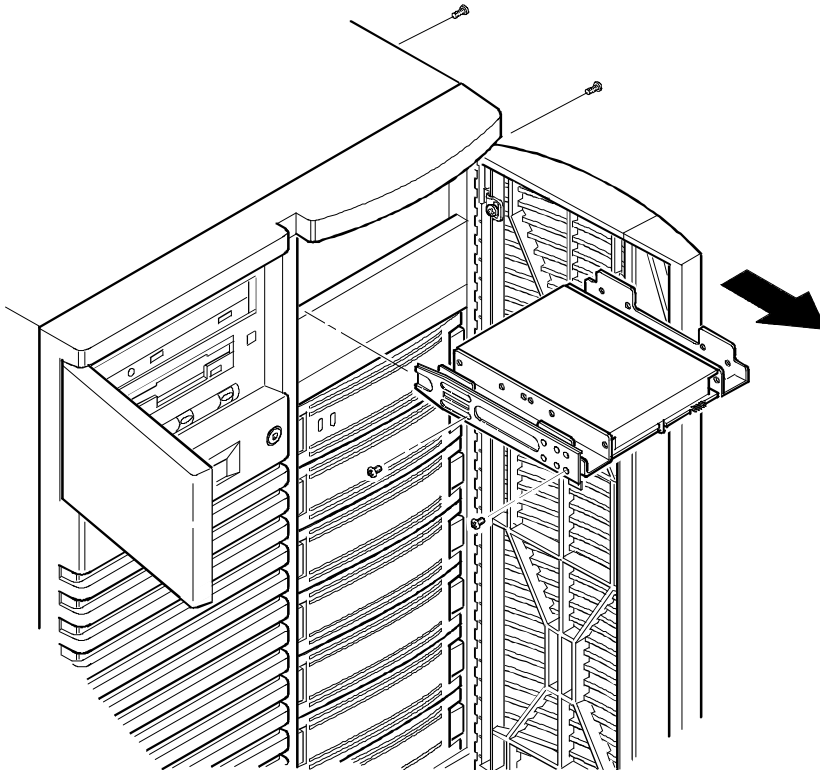
1. Turn off server.
2. Unlock and remove side panels.
3. Unlock and open door.
4. Remove power and data cables from drive.
5. Remove screws from right side of drive bay.
6. Slide drive out front of drive bay.
7. Remove side bracket.



DEC00409-4

## Remove 3½-Inch Device from Top-Right Drive Bay

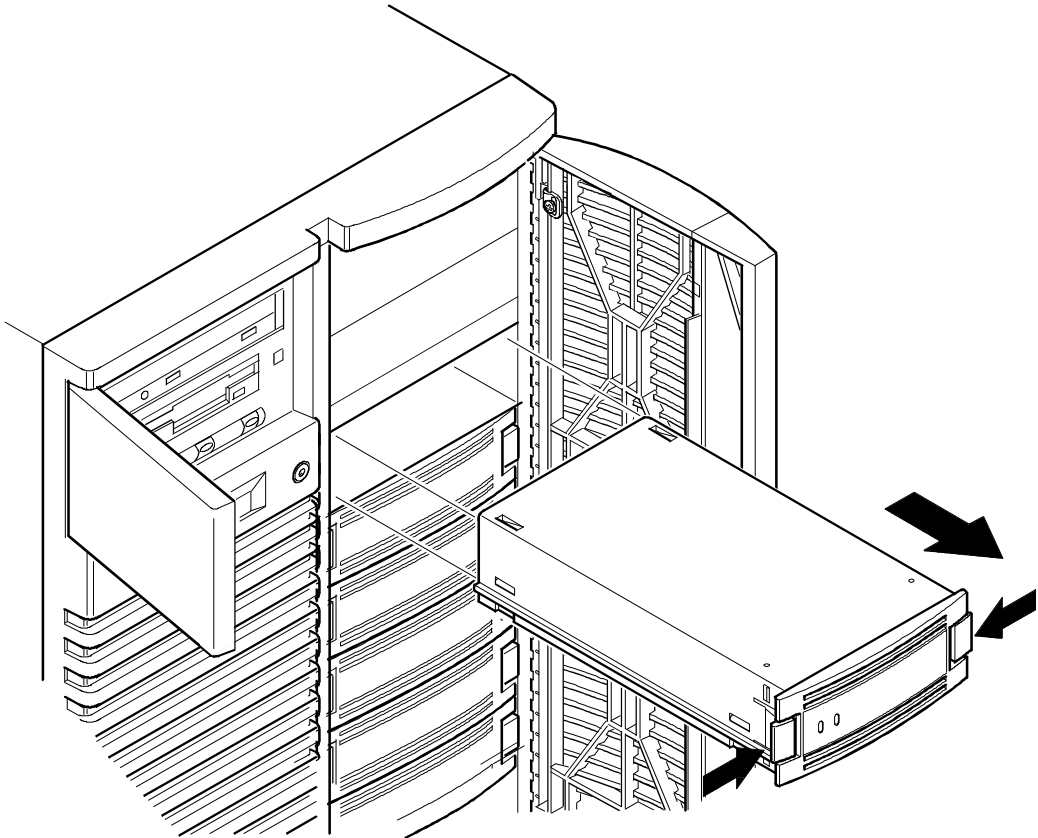
1. Turn off server.
2. Unlock and remove side panels.
3. Unlock and open door.
4. Remove power and data cables from drive.
5. Remove screws from right side of drive bay.
6. Slide drive out front of drive bay.
7. Remove side brackets.



DEC00409-5

## Remove Device from Hot-Swap Drive Bay

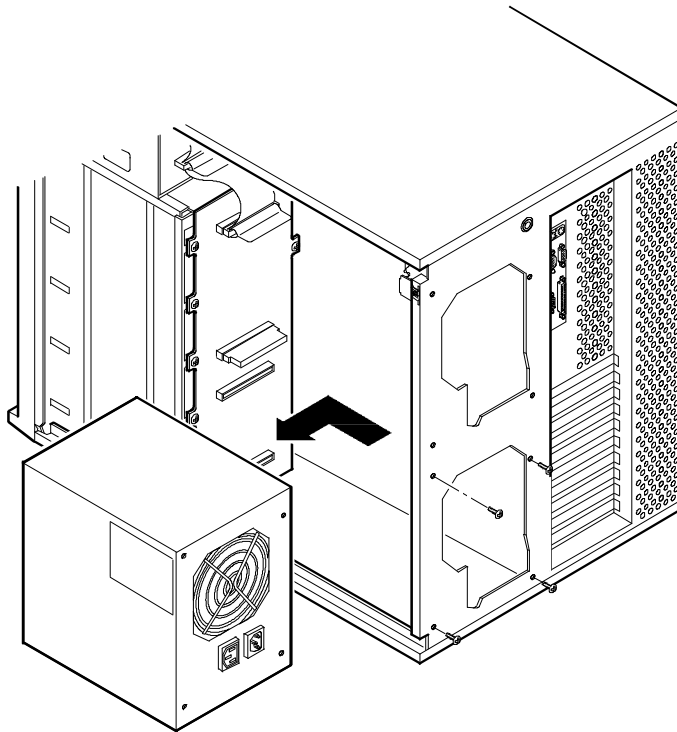
1. Unlock and open right side door.
2. Press two tabs together and remove SBB.
3. Close and lock door.



DEC00443-2

## Remove Power Supply

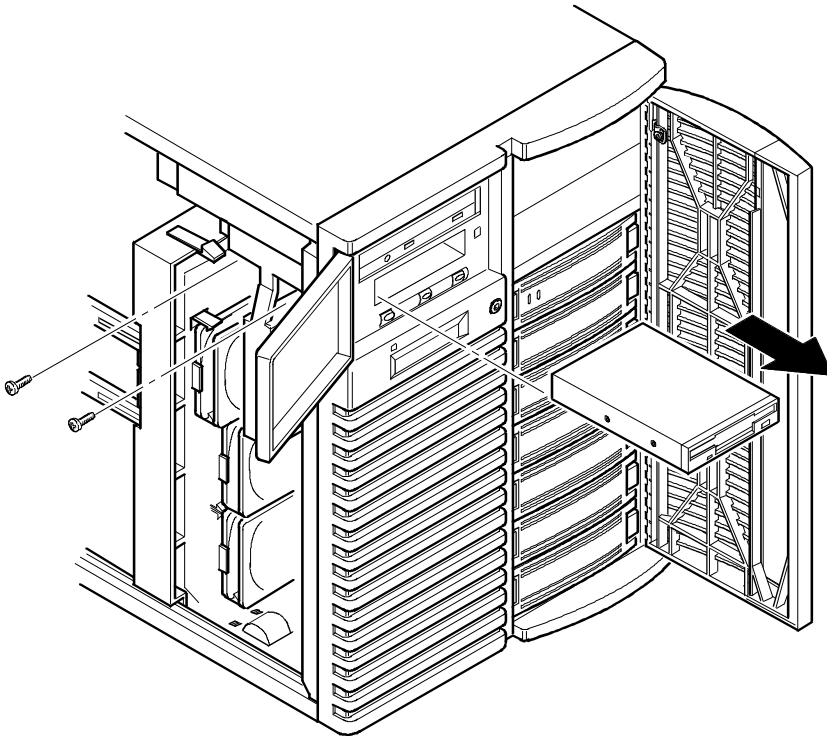
1. Turn off server.
2. Unlock and remove right side panel.
3. Remove wire harness connectors from power supply.
4. Remove screws from rear of chassis.
5. Remove power supply.



DEC 00775-2

## Remove Diskette Drive

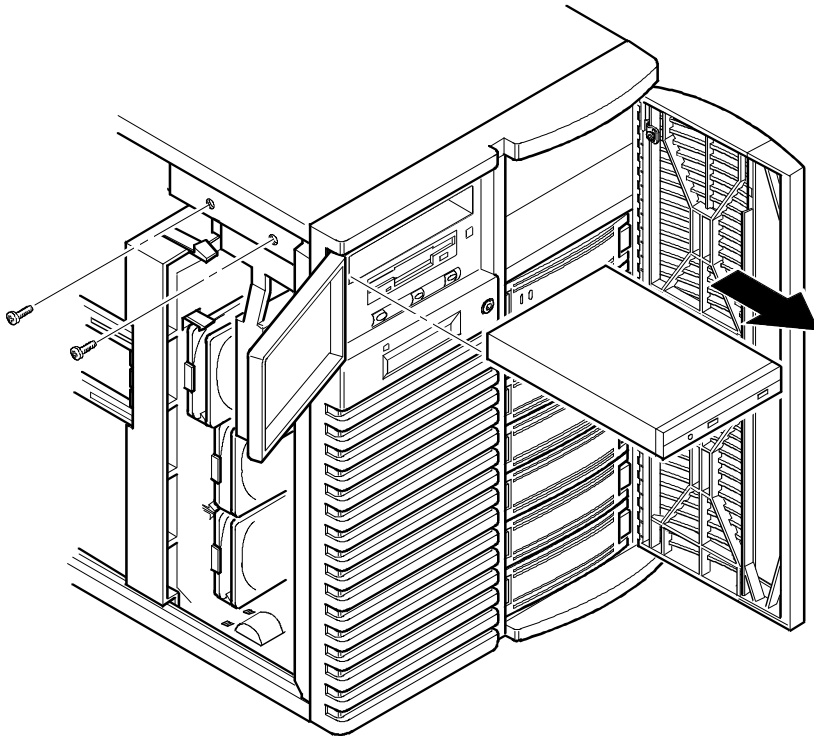
1. Turn off server.
2. Unlock and remove left side panel.
3. Open door.
4. Remove power and data cables from drive.
5. Remove screws from drive bay.
6. Slide drive out front of drive bay.



DEC00470-2

## Remove CD-ROM Drive

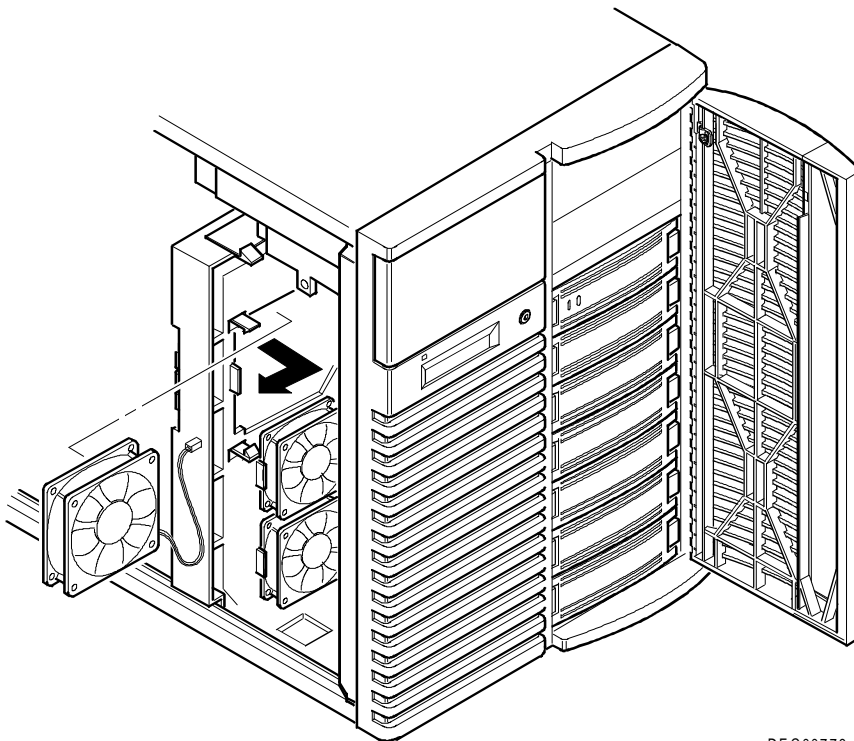
1. Turn off server.
2. Unlock and remove left side panel.
3. Open door.
4. Remove power and data cables from drive.
5. Remove screws from drive bay.
6. Slide drive out front of drive bay.



DEC00470-3

## Remove Cooling Fans

1. Turn off server.
2. Unlock and remove left side panel.
3. Disconnect fan from main logic board.
4. Release fan from plastic tabs.
5. Remove fan from chassis.

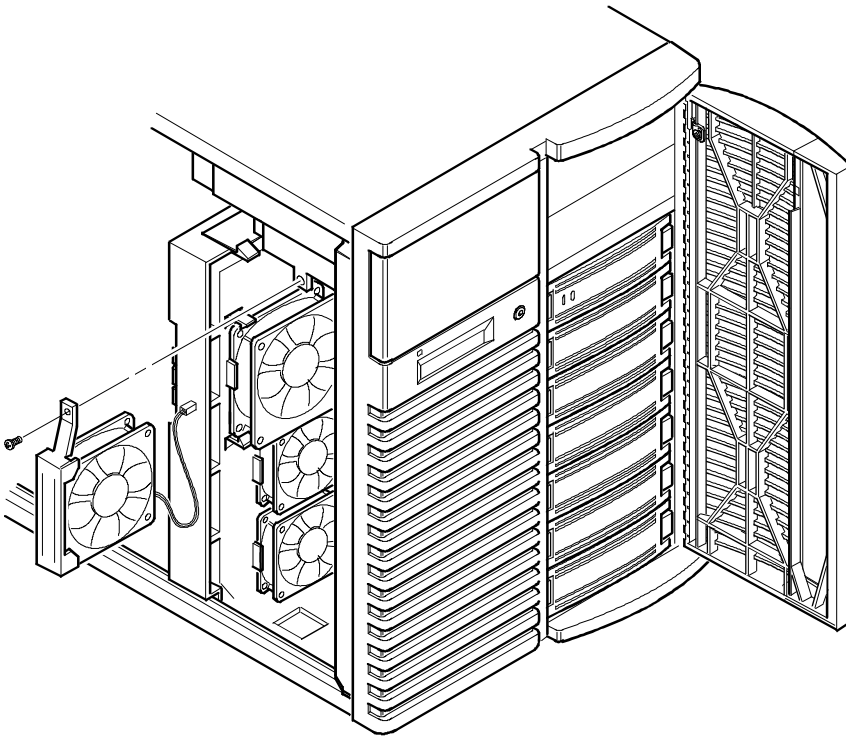


DEC00776



## Remove Redundant Fan

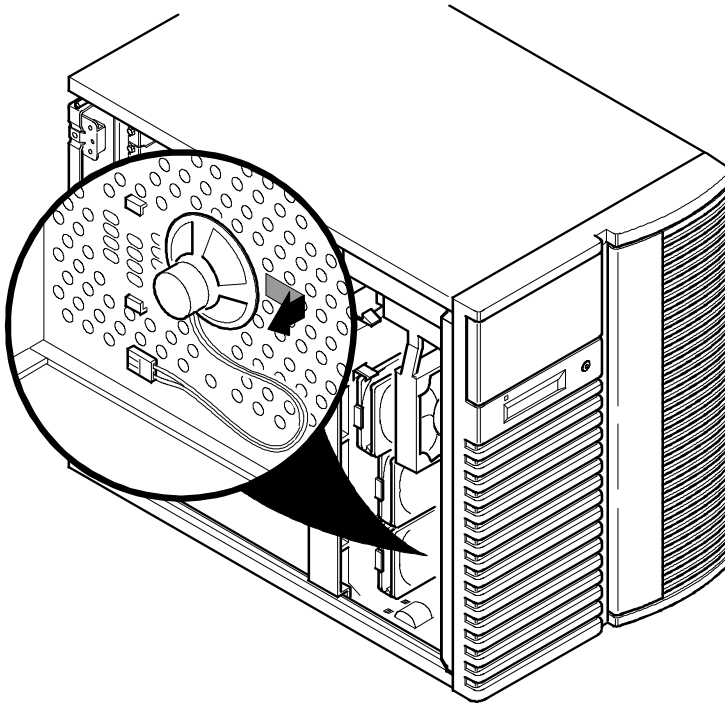
1. Turn off server.
2. Unlock and remove left side panel.
3. Disconnect fan from main logic board.
4. Remove screw.
5. Remove fan from chassis.



DEC00777

## Remove Speaker

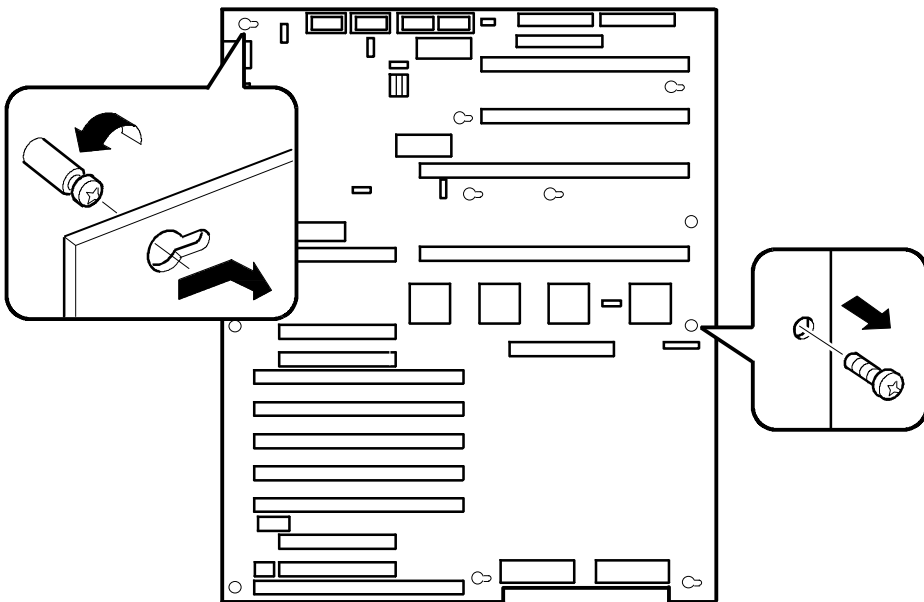
1. Turn off server.
2. Unlock and remove left side panel.
3. Disconnect speaker from main logic board.
4. Remove speaker from chassis.



DEC00778

## Remove Main Logic Board

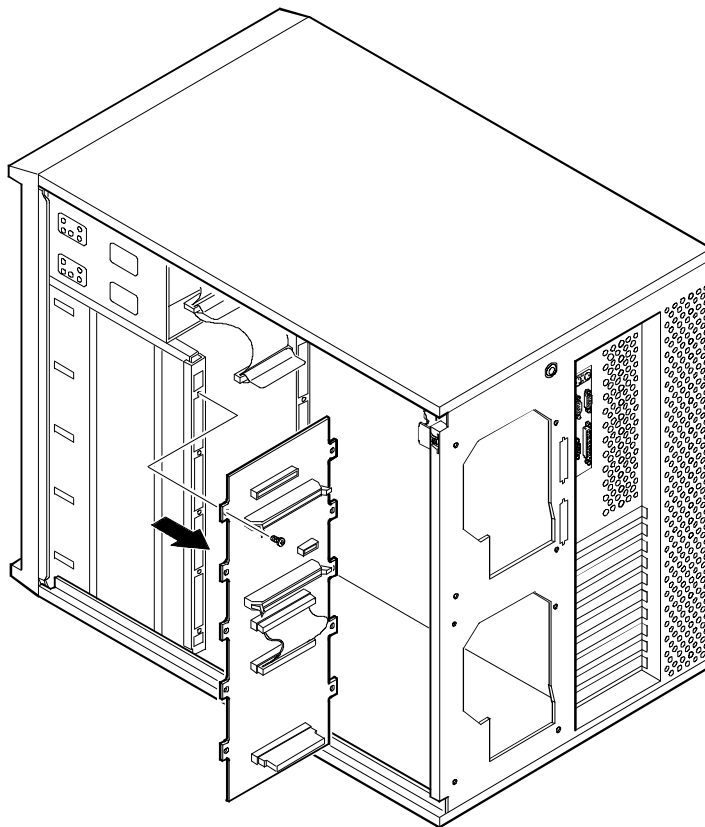
1. Turn off server.
2. Unlock and remove left side panel.
3. Remove all connectors.
4. Remove all expansion boards.
5. Remove screws.
6. Loosen remaining screws.
7. Slide main logic board off standoffs.
8. Remove main logic board from chassis.



DEC00808

## Remove Storage Backplane

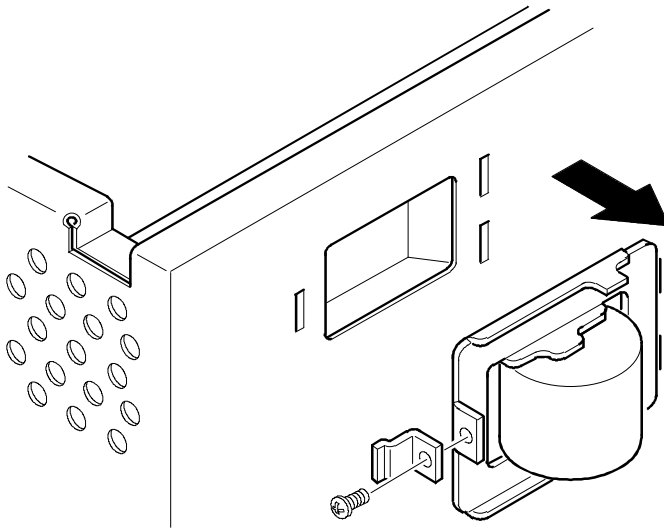
1. Turn off server.
2. Unlock and remove right side panel.
3. Remove all connectors and terminators.
4. Remove screws.
5. Remove storage backplane from chassis.



DEC00780

## Remove CAM

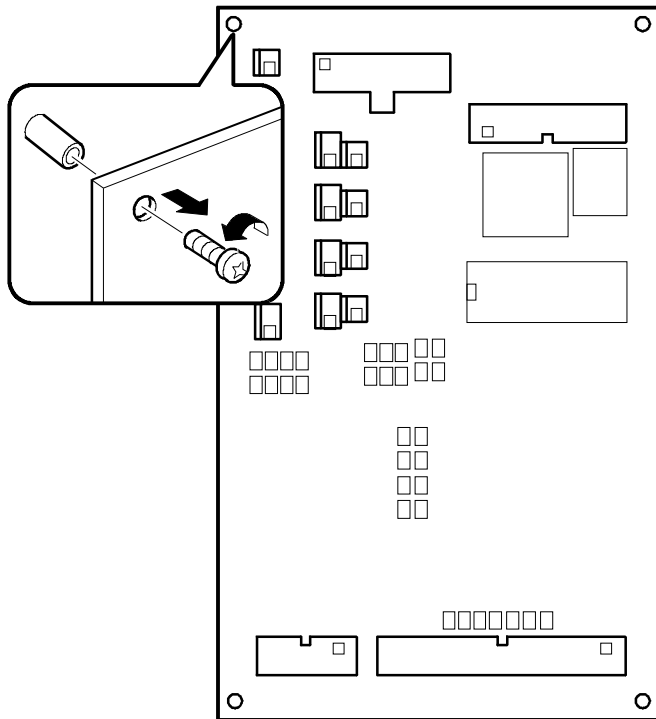
1. Turn off server.
2. Carefully lay server on its side.
3. Remove screw.
4. Release CAM from metal tab.
5. Remove CAM from chassis.



DEC00779

## Remove Fan/Power Controller Module

1. Turn off server.
2. Unlock and remove left side panel.
3. Remove all connectors.
4. Remove screws.
5. Remove fan/power controller module from chassis.



DEC00798-4