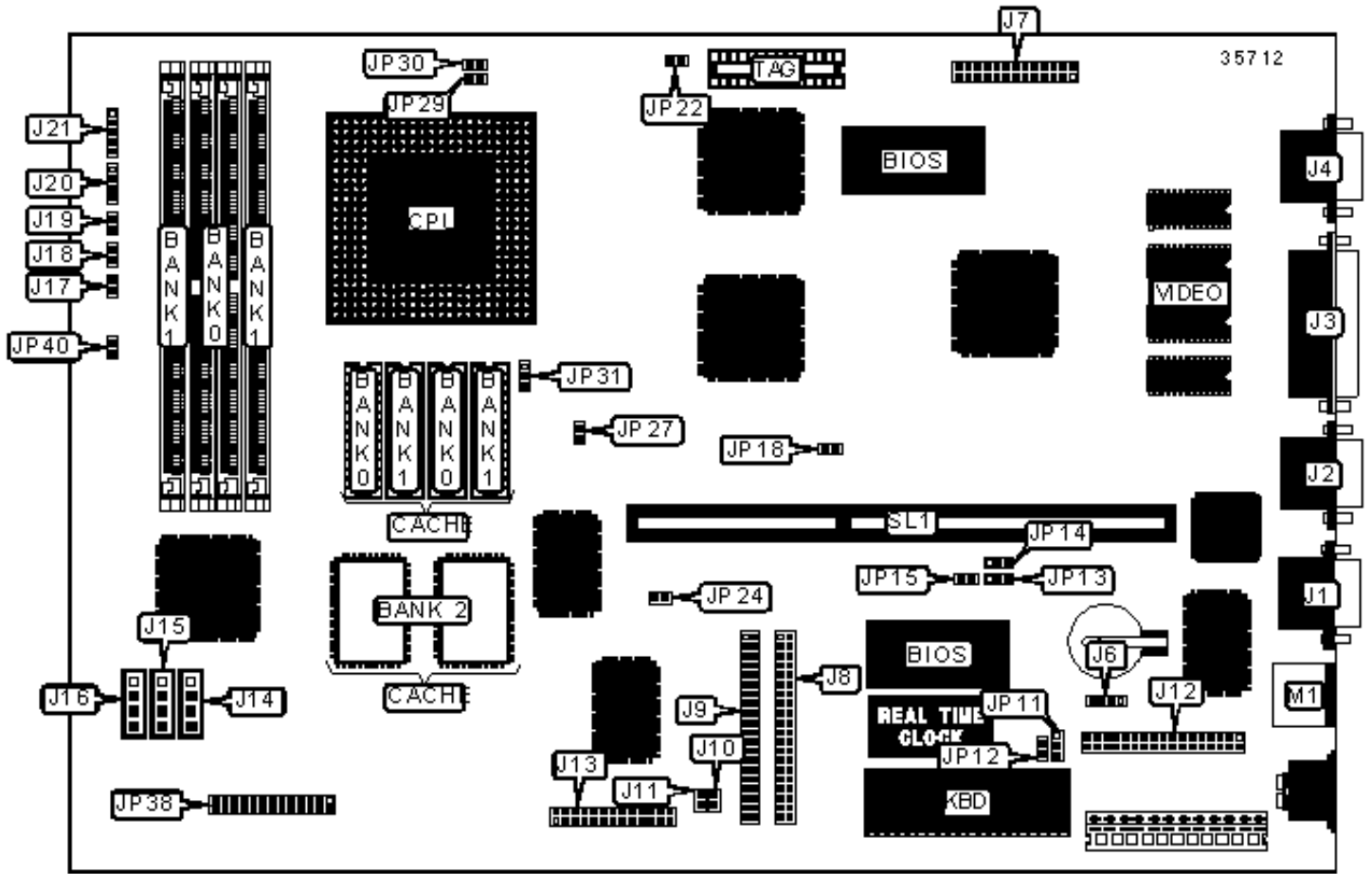


DATAEXPERT CORPORATION

AIO8554

Configuration



CONNECTIONS

Purpose	Location	Purpose	Location
Serial port 1	J1	Audio in – CD-ROM (Panasonic)	J14
Serial port 2	J2	Audio in – CD-ROM (Sony)	J15
Parallel port	J3	Audio in – CD-ROM(Mitsumi)	J16
VGA port	J4	Reset switch	J17
External battery	J6	Turbo LED	J18
VGA feature connector	J7	Turbo switch	J19
IDE interface 1	J8	Speaker	J20
IDE interface 2	J9	Power LED & keylock	J21
IDE interface LED	J10	Green PC connector	JP18
IDE interface LED	J11	MIDI connector	JP38
Floppy drive interface	J12	PS/2 mouse port	M1
Wavetable connector	J13	Riser slot	SL1

USER CONFIGURABLE SETTINGS

Function	Label	Position
» CMOS memory normal operation	JP11	Pins 2 & 3 closed
CMOS memory clear	JP11	Pins 1 & 2 closed
» CMOS memory normal operation (12887A clock only)	JP12	Open
CMOS memory clear (12887A clock only)	JP12	Closed
Printer mode select standard	JP15	Closed
Printer mode select EPP/ECP	JP15	Open
Feature function disabled	JP40	Open
Feature function enabled	JP40	Closed

SIMM CONFIGURATION

Size	Bank 0	Bank 1
2MB	(2) 256K x 36	None
4MB	(2) 512K x 36	None
4MB	(2) 256K x 36	(2) 256K x 36
6MB	(2) 512K x 36	(2) 256K x 36
8MB	(2) 1M x 36	None
8MB	(2) 512K x 36	(2) 512K x 36
10MB	(2) 1M x 36	(2) 256K x 36
12MB	(2) 512K x 36	(2) 1M x 36

SIMM CONFIGURATION (CON'T)

Size	Bank 0	Bank 1
16MB	(2) 2M x 36	None
16MB	(2) 1M x 36	(2) 1M x 36
18MB	(2) 2M x 36	(2) 256K x 36
20MB	(2) 512K x 36	(2) 2M x 36
24MB	(2) 2M x 36	(2) 1M x 36
32MB	(2) 4M x 36	None
32MB	(2) 2M x 36	(2) 2M x 36
34MB	(2) 4M x 36	(2) 256K x 36
36MB	(2) 512K x 36	(2) 4M x 36
40MB	(2) 4M x 36	(2) 1M x 36
48MB	(2) 2M x 36	(2) 4M x 36
64MB	(2) 8M x 36	None
64MB	(2) 4M x 36	(2) 4M x 36

66MB	(2) 8M x 36	(2) 256K x 36
68MB	(2) 512K x 36	(2) 8M x 36
72MB	(2) 8M x 36	(2) 1M x 36
80MB	(2) 2M x 36	(2) 8M x 36
96MB	(2) 8M x 36	(2) 4M x 36
128MB	(2) 8M x 36	(2) 8M x 36

CACHE CONFIGURATION

Size	Bank 0	Bank 1	Bank 2	TAG
256KB (A)	None	None	(2) 32K x 36	Unidentified
256KB (B)	(2) 32K x 32	None	None	(1) 8K/16K/32K x 8
512KB	(2) 32K x 32	(2) 32K x 32	None	(1) 16K/32K x 8

CACHE JUMPER CONFIGURATION

Size	JP22	JP31
256KB (B)	Open	Pins 1 & 2 closed
512KB	Closed	Pins 2 & 3 closed

VIDEO MEMORY CONFIGURATION

Note: The video chips sizes are unidentified.

CPU SPEED SELECTION

CPU speed	Clock speed	Multiplier	JP24	JP27	JP29	JP30
75MHz	50MHz	1.5x	Open	Open	Open	Open
90MHz	60MHz	1.5x	Closed	Open	Open	Open
100MHz	66MHz	1.5x	Closed	Closed	Open	Open

120MHz	60MHz	2x	Closed	Open	Closed	Open
133MHz	66MHz	2x	Closed	Closed	Closed	Open

DMA CHANNEL SELECTION		
Channel	JP13	JP14
1	Pins 1 & 2 closed	Pins 1 & 2 closed
3	Pins 2 & 3 closed	Pins 2 & 3 closed