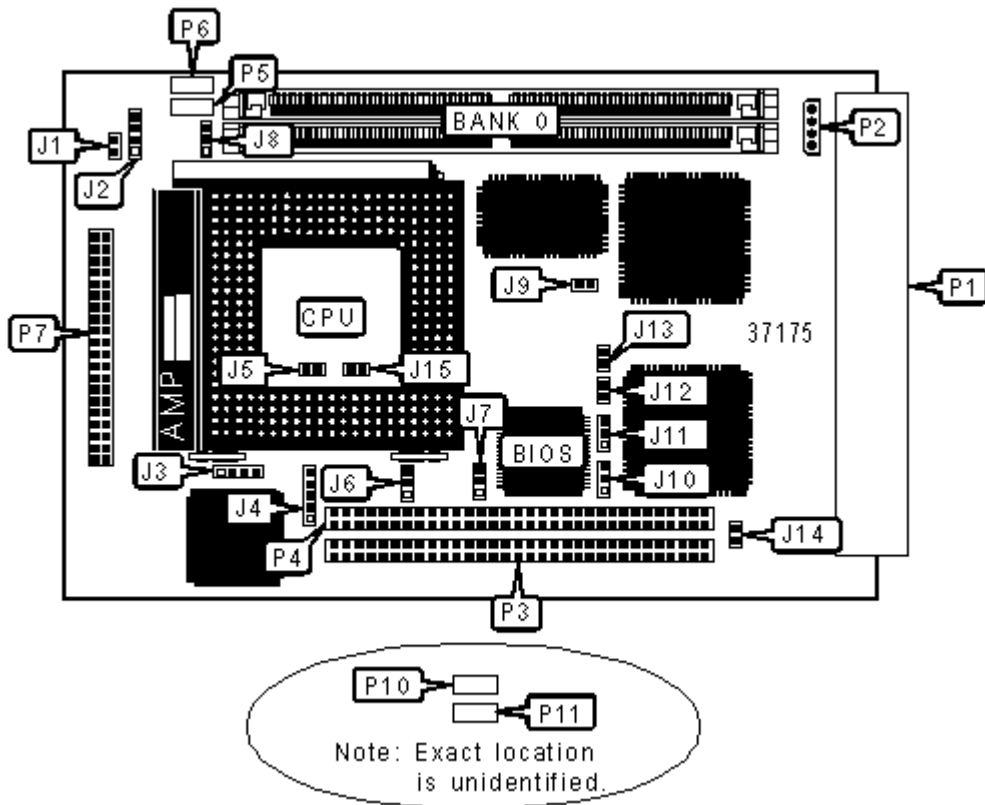


# GESPAC

PCISYS-56 (VER. 1.2)

<b>Processor</b>	CX 6X86/IBM 6X86/Pentium
<b>Processor Speed</b>	75/90/100/120/133/150/166/200MHz
<b>Chip Set</b>	Intel
<b>Video Chip Set</b>	Chips and Technology
<b>Maximum Onboard Memory</b>	64MB (EDO supported)
<b>Maximum Video Memory</b>	1MB
<b>Cache</b>	16KB
<b>BIOS</b>	Unicore
<b>Dimensions</b>	160mm x 100mm
<b>I/O Options</b>	IDE interface, PC/104 connector, PS/2 keyboard interface



CONNECTIONS			
Purpose	Location	Purpose	Location
IDE interface LED	J1	PC/104 connector (8-bit)	P4
Speaker	J2	Emulation connector 1	P5
CPU fan power	J3	Emulation connector 2	P6
Reset switch	J4	IDE interface	P7
Compact PCI connector	P1	+3.3v power supply 1	P10
Power connector	P2	+3.3v power supply 2	P11

PC/104 connector (16-bit)	P3	
---------------------------	----	--

### USER CONFIGURABLE SETTINGS

Function	Label	Position
5V DRAM selected	J8	Pins 1 & 2 closed
3.3V DRAM selected	J8	Pins 2 & 3 closed
High temperature NMI generation	J9	Closed
No high temperature NMI generation	J9	Open
Normal operation	J14	Open
Normal operation with sleep mode	J14	Closed

### SIMM CONFIGURATION

Size	Bank 0
8MB	(2) 1M x 36
16MB	(2) 2M x 36
32MB	(2) 4M x 36
64MB	(2) 8M x 36

### VIDEO MEMORY CONFIGURATION

Note: 512KB video memory is factory installed and is not configurable.

### CPU SPEED SELECTION (CX 6X86)

CPU speed	Clock speed	Multiplier	J5	J12	J13	J15
120MHz	60MHz	2x	Closed	Open	Closed	Open
133MHz	66MHz	2x	Closed	Closed	Open	Open
150MHz	60MHz	2.5x	Closed	Open	Closed	Closed
166MHz	66MHz	2.5x	Closed	Closed	Open	Closed
200MHz	66MHz	3x	Open	Closed	Open	Closed

**CPU SPEED SELECTION (IBM 6X86)**

CPU speed	Clock speed	Multiplier	J5	J12	J13	J15
120MHz	60MHz	2x	Closed	Open	Closed	Open
133MHz	66MHz	2x	Closed	Closed	Open	Open
150MHz	60MHz	2.5x	Closed	Open	Closed	Closed
166MHz	66MHz	2.5x	Closed	Closed	Open	Closed
200MHz	66MHz	3x	Open	Closed	Open	Closed

**CPU SPEED SELECTION (PENTIUM)**

CPU speed	Clock speed	Multiplier	J5	J12	J13	J15
75MHz	50MHz	1.5x	Open	Closed	Closed	Open
90MHz	60MHz	1.5x	Open	Open	Closed	Open
100MHz	66MHz	1.5x	Open	Closed	Open	Open
120MHz	60MHz	2x	Closed	Open	Closed	Open
133MHz	66MHz	2x	Closed	Closed	Open	Open
150MHz	60MHz	2.5x	Closed	Open	Closed	Closed
166MHz	66MHz	2.5x	Closed	Closed	Open	Closed
200MHz	66MHz	3x	Open	Closed	Open	Closed

**FLASH BIOS SELECTION**

Setting	J7	J10	J11
Normal operation	Pins 2 & 3 closed	Pins 2 & 3 closed	Pins 1 & 2 closed
Update mode	Pins 2 & 3 closed	Pins 2 & 3 closed	Pins 1 & 2 closed
Recovery mode	Pins 1 & 2 closed	Pins 1 & 2 closed	Pins 1 & 2 closed

**WATCHDOG TIMER SELECTION**

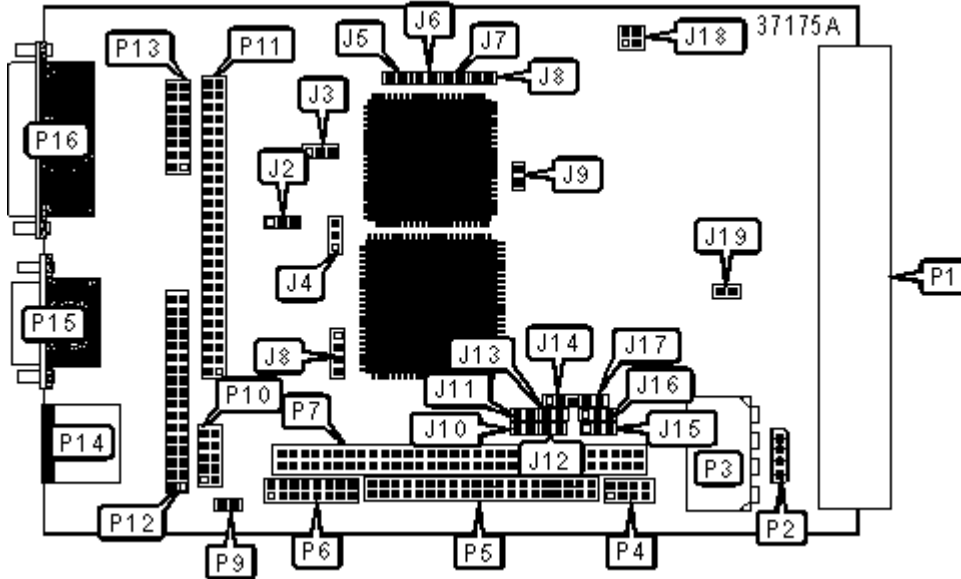
Setting	J6
NMI disabled	Pins 1 & 2 open
NMI enabled	Pins 1 & 2 closed

Hard reset disabled	Pins 2 & 3 open
Hard reset enabled	Pins 2 & 3 closed

## GESPCI-1 PERIPHERAL MODULE

### I/O Options

Flat panel connector, Floppy drive interface, IR connector, Parallel interface, Serial interfaces (2)



CONNECTIONS			
Purpose	Location	Purpose	Location
G-96 Bus connector	P1	Keylock	P9
+5V/12V power supply	P2	Serial interface 1	P10
+3V power supply (PCIMCU-56 & display)	P3	Flat panel connector	P11
Soft off power supply	P4	Floppy disk interface	P12
PC/104 connector (8-bit)	P5	Parallel interface	P13
+3.3V power supply (ISA bridge)	P6	PS/2 keyboard interface	P14
PC/104 connector (16-bit)	P7	Serial interface 2	P15
IRDA connector	P8	VGA port	P16

USER CONFIGURABLE SETTINGS			
	Function	Label	Position
»	5v LCD select	J3	Pins 2 & 3 closed

	3.3v LCD select	J3	Pins 1 & 2 closed
»	Factory configured - do not alter	J5	Unidentified
»	Factory configured - do not alter	J6	Unidentified
»	Factory configured - do not alter	J7	Unidentified
»	Factory configured - do not alter	J8	Unidentified
	VGA on CPCI selected	J9	Open
	VGA on GESPCI selected	J9	Closed
	IRQ5 selected for ISA/PCI peripherals	J10	Open
	IRQ5 selected for G-96	J10	Closed
	IRQ10 selected for ISA/PCI peripherals	J11	Open
	IRQ10 selected for G-96	J11	Closed
	IRQ15 selected for ISA/PCI peripherals	J12	Open
	IRQ15 selected for G-96	J12	Closed
	IRQ11 selected for ISA/PCI peripherals	J13	Open
	IRQ11 selected for G-96	J13	Closed
	NMI/PWFFAIL disabled	J17	Open
	NMI/PWFFAIL enabled	J17	Closed
	G-96 bus memory access D000h - D7FFh	J18	Pins 1 & 2 open
	PC/104 bus memory access D000h - D7FFh	J18	Pins 1 & 2 closed
	G-96 bus memory access C800h - CBFFh	J18	Pins 3 & 4 closed
	PC/104 bus memory access C800h - CBFFh	J18	Pins 3 & 4 open
	G-96 bridge disabled	J19	Open
	G-96 bridge enabled	J19	Closed

#### DC/DC CONVERTER VOLTAGE SELECTION

Setting	J2
DC/DC converter disabled	Open

+Vee adjustable with R14	Pins 1 & 2 closed
-Vee adjustable with R14	Pins 2 & 3 closed

<b>VGA/G-96 IRQ SELECTION</b>	
<b>Setting</b>	<b>J4</b>
IRQ9 Resource available	Open
IRQ9 G-96 bus selected	Pins 1 & 2 closed
IRQ9 VGA selected	Pins 2 & 3 closed

<b>VGA/G-96 IRQ SELECTION</b>	
<b>Setting</b>	<b>J14</b>
IRQ12 ISA/PCI peripheral available	Open
IRQ12 G-96 bus selected	Pins 1 & 2 closed
IRQ12 Super I/O selected	Pins 2 & 3 closed

<b>BATTERY SELECTION</b>	
<b>Setting</b>	<b>J15</b>
Storage	Open
RTC connected to battery	Pins 1 & 2 closed
Clear RTC backup RAM	Pins 2 & 3 closed

<b>BUS ERROR SELECTION</b>	
<b>Setting</b>	<b>J16</b>
G-96 bus error disabled	Open
G-96 bus error to Pentium Berror selected	Pins 1 & 2 closed
G-96 bus error to NMI selected	Pins 2 & 3 closed