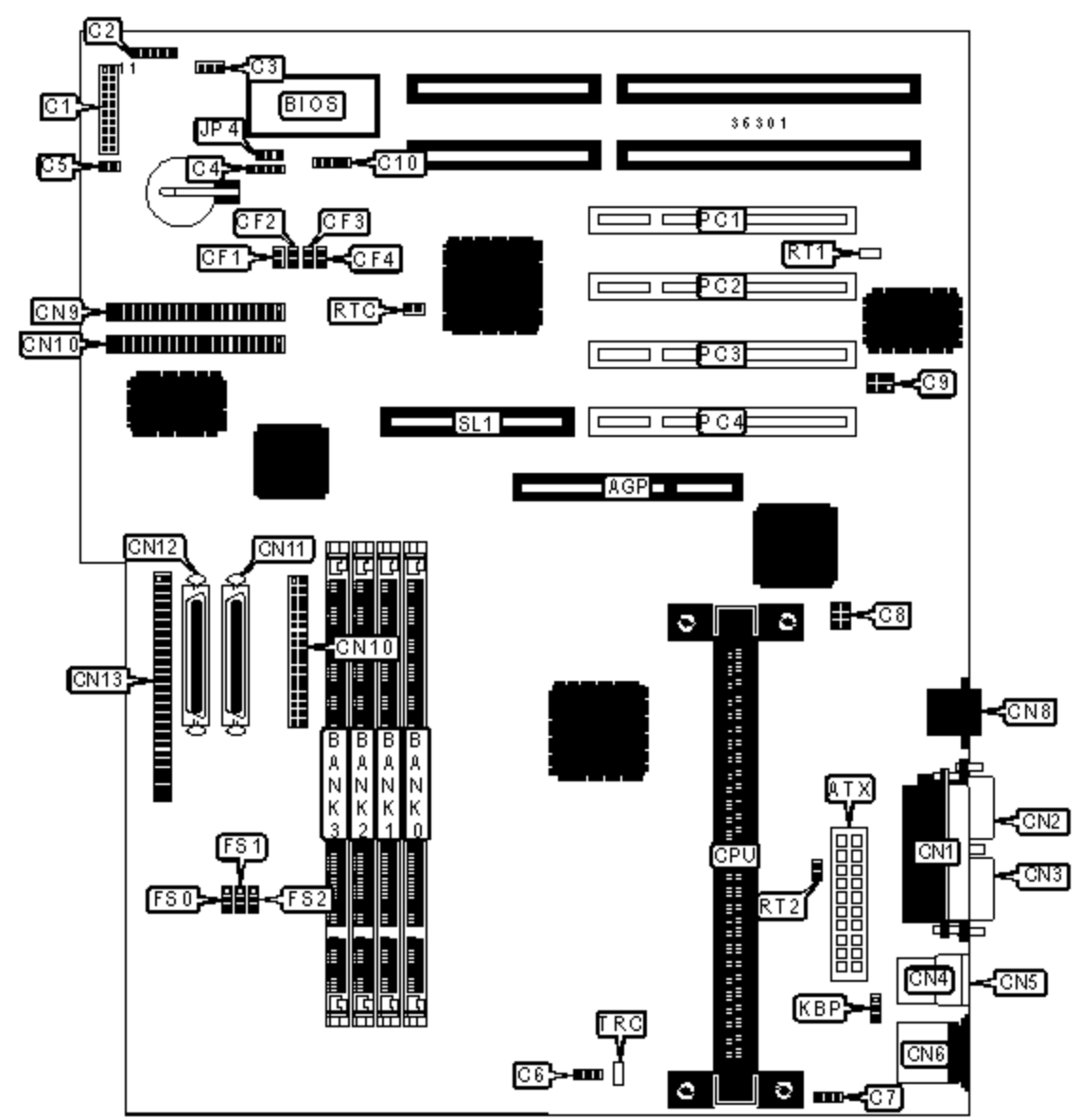


ASUS COMPUTER INTERNATIONAL

P2B-S (VER. 1.03), P2B-LS (VER. 1.03)

Device Type	Mainboard
Processor	Pentium II
Processor Speed	233/266/300/333/350/400MHz
Chip Set	Intel 440BX
Maximum Onboard Memory	512MB (SDRAM & PC100 supported)
Cache	256/512KB (located on Pentium II CPU)
BIOS	Unidentified
Dimensions	305mm x 244mm
I/O Options	32-bit PCI slots (4), Ethernet 10BaseT connector, floppy drive interface, green PC connector, IDE interfaces (2), SCSI interface, SCSI-2 interface, parallel port, PS/2 mouse port, serial ports (2), IR connector, USB connectors (2), ATX power connector, AGP slot, RAID slot, SB-link connector



CONNECTIONS

Purpose	Location	Purpose	Location
AGP slot	AGP	Parallel port	CN1
ATX power connector	ATX	Serial port 2	CN2

Turbo LED	C1/pins 2 & 3	Serial port 1	CN3
Green PC connector	C1/pins 4 & 5	USB connector 1	CN4
Soft off power supply	C1/pins 6 & 7	USB connector 2	CN5
Reset switch	C1/pins 9 & 10	PS/2 mouse port	CN6
Power LED & keylock	C1/pins 11 - 15	IDE interface 1	CN7
Speaker	C1/pins 17 - 20	IDE interface 2	CN8
IR connector	C2	Floppy drive interface	CN9
Chassis fan power	C3	Ultra 2 SCSI interface	CN10
Chassis intrusion connector	C4	Wide SCSI interface	CN11
IDE interface LED	C5	SCSI interface	CN12
CPU fan power	C6	Ethernet 10BaseT connector	CN13
Power fan power	C7	Power supply heat sensor	RT2
LAN LED	C8	32-bit PCI slots	PC1 - PC4
SB-link connector	C9	RAID slot	SL1
External battery	C10		

USER CONFIGURABLE SETTINGS

Function		Label	Position
»	Factory configured - do not alter	JP4	Unidentified
»	Keyboard power up disabled	KBP	Pins 1 & 2 closed
	Keyboard power up enabled	KBP	Pins 2 & 3 closed
»	CMOS memory normal operation	RTC	Open
	CMOS memory clear	RTC	Closed
»	Factory configured - do not alter	RT1	Unidentified
»	Factory configured - do not alter	TRC	Unidentified

DIMM CONFIGURATION

Size	Bank 0	Bank 1
8MB	(1) 1M x 64	None
16MB	(1) 2M x 64	None
16MB	(1) 1M x 64	(1) 1M x 64
24MB	(1) 2M x 64	(1) 1M x 64
32MB	(1) 4M x 64	None
32MB	(1) 2M x 64	(1) 2M x 64
40MB	(1) 4M x 64	(1) 1M x 64
48MB	(1) 4M x 64	(1) 2M x 64
64MB	(1) 8M x 64	None
64MB	(1) 4M x 64	(1) 4M x 64
72MB	(1) 8M x 64	(1) 1M x 64
80MB	(1) 8M x 64	(1) 2M x 64
96MB	(1) 8M x 64	(1) 4M x 64
128MB	(1) 8M x 64	(1) 8M x 64
128MB	(1) 16M x 64	None

DIMM CONFIGURATION

Size	Bank 0	Bank 1
164MB	(1) 16M x 64	(1) 1M x 64
144MB	(1) 16M x 64	(1) 2M x 64
160MB	(1) 16M x 64	(1) 4M x 64
192MB	(1) 16M x 64	(1) 8M x 64
256MB	(1) 16M x 64	(1) 16M x 64
256MB	(1) 32M x 64	None
264MB	(1) 32M x 64	(1) 1M x 64
272MB	(1) 32M x 64	(1) 2M x 64

288MB	(1) 32M x 64	(1) 4M x 64
320MB	(1) 32M x 64	(1) 8M x 64
384MB	(1) 32M x 64	(1) 16M x 64
512MB	(1) 32M x 64	(1) 32M x 64
Note: Board accepts SDRAM & PC100 memory.		

CACHE CONFIGURATION

Note: 256KB/512KB cache is located on the Pentium II CPU.

CPU SPEED SELECTION

CPU speed	Clock speed	Multiplier	FS0	FS1	FS2
233MHz	66MHz	3.5x	2 & 3	1 & 2	1 & 2
266MHz	66MHz	4x	2 & 3	1 & 2	1 & 2
300MHz	66MHz	4.5x	2 & 3	1 & 2	1 & 2
300MHz	100MHz	3x	1 & 2	1 & 2	1 & 2
333MHz	66MHz	5x	2 & 3	1 & 2	1 & 2
350MHz	100MHz	3.5x	1 & 2	1 & 2	1 & 2
400MHz	100MHz	4x	1 & 2	1 & 2	1 & 2

Note: Pins designated should be in the closed position.

CPU SPEED SELECTION (CON'T)

CPU speed	Clock speed	Multiplier	CF1	CF2	CF3	CF4
233MHz	66MHz	3.5x	Open	Open	Closed	Closed
266MHz	66MHz	4x	Closed	Closed	Open	Closed
300MHz	66MHz	4.5x	Open	Closed	Open	Closed
300MHz	100MHz	3x	Closed	Open	Closed	Closed
333MHz	66MHz	5x	Closed	Open	Open	Closed

350MHz	100MHz	3.5x	Open	Open	Closed	Closed
400MHz	100MHz	4x	Closed	Closed	Open	Closed