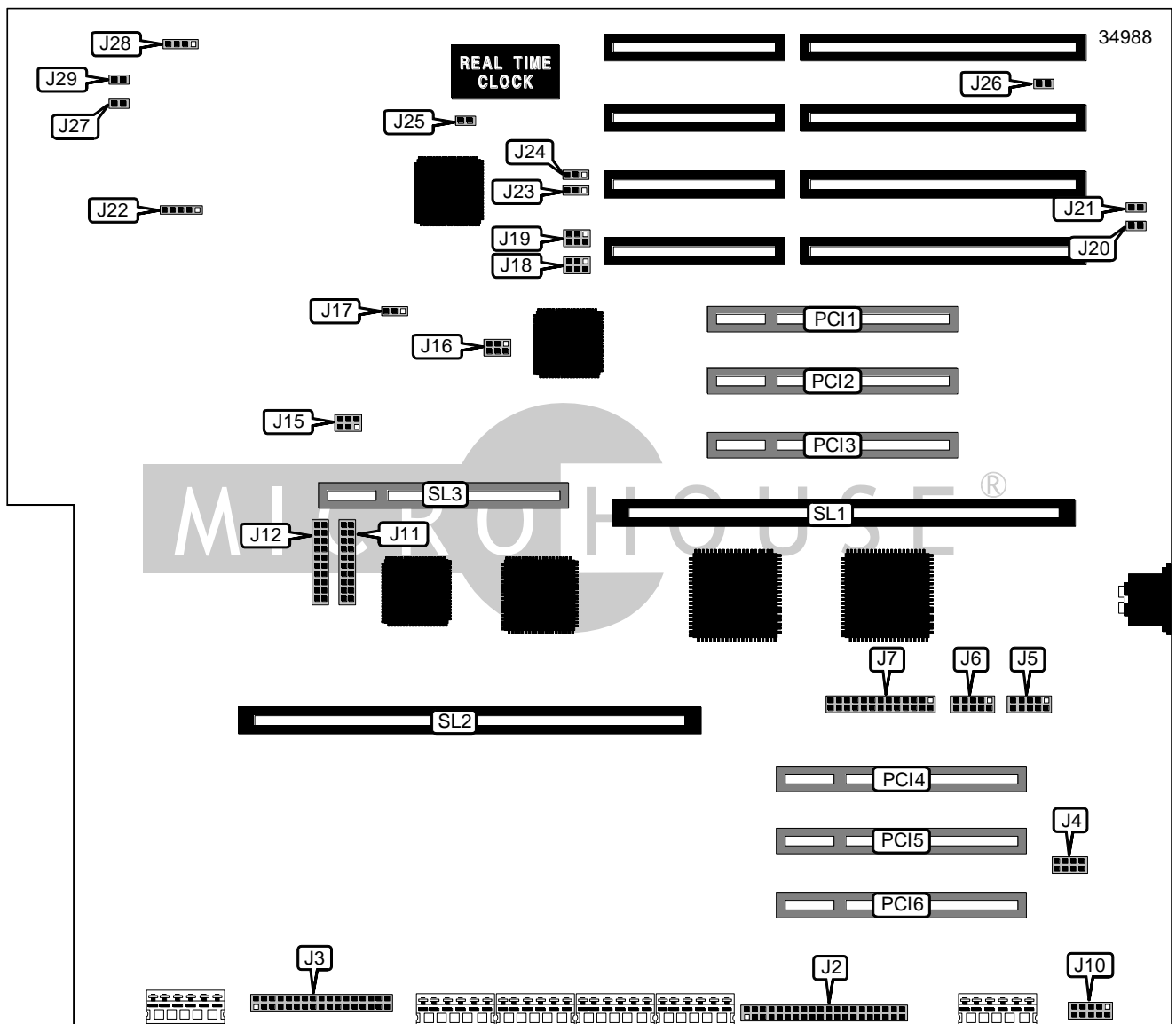


AMERICAN MEGATRENDS, INC. GOLIATH PCI QUAD

Processor	Pentium Pro
Processor Speed	133/150/180/200/233/240/283/300/325MHz
Chip Set	Intel
Video Chip Set	None
Maximum Onboard Memory	1GB (EDO supported)
Maximum Video Memory	None
Cache	256/512KB (located on Pentium Pro CPU)
BIOS	AMI
Dimensions	333mm x 305mm
I/O Options	External memory card slot, 32-bit PCI slots (6), floppy drive interface, IDE interface, parallel port, PS/2 mouse interface, serial ports (2), VRM connectors (4), CPU slots (2)
NPU Options	None



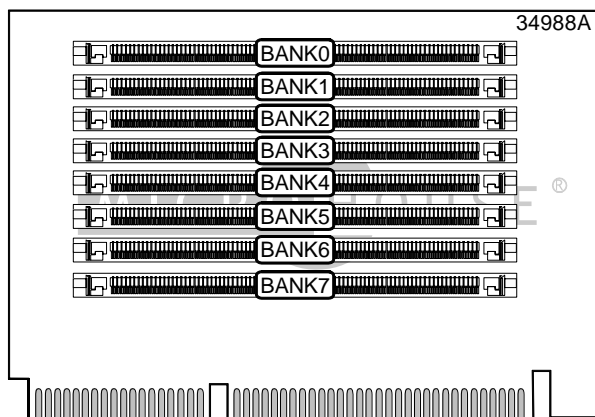
Continued on next page. . .

AMERICAN MEGATRENDS, INC. GOLIATH PCI QUAD

... continued from previous page

CONNECTIONS			
Purpose	Location	Purpose	Location
IDE interface	J2	Reset switch	J27
Floppy drive interface	J3	Speaker	J28
Serial port 1	J5	IDE interface LED	J29
Serial port 2	J6	CPU slot	SL1
Parallel port	J7	CPU slot	SL2
PS/2 mouse interface	J10	External memory card	SL3
Power LED & keylock	J22	32-bit PCI slots	PC1 - PC6

USER CONFIGURABLE SETTINGS		
Function	Label	Position
í Factory configured - do not alter	J4	Open
í Factory configured - do not alter	J17	Pins 2 & 3 closed
í Factory configured - do not alter	J20	Open
IDE DREQ enabled	J21	Closed
IDE DREQ disabled	J21	Open
í Parallel port IRQ select IRQ7	J23	Pins 1 & 2 closed
Parallel port IRQ select IRQ5	J23	Pins 2 & 3 closed
í PS/2 mouse IRQ12 enabled	J24	Pins 1 & 2 closed
PS/2 mouse IRQ12 disabled	J24	Pins 2 & 3 closed
í Factory configured - do not alter	J25	Unidentified
í Factory configured - do not alter	J26	Unidentified



MEMORY CARD

Continued on next page. . .

AMERICAN MEGATRENDS, INC.
GOLIATH PCI QUAD

... continued from previous page

DIMM CONFIGURATION				
Size	Bank 0	Bank 1	Bank 2	Bank 3
16MB	(1) 2M x 72	None	None	None
32MB	(1) 2M x 72	(1) 2M x 72	None	None
64MB	(1) 2M x 72	(1) 2M x 72	(1) 2M x 72	(1) 2M x 72
32MB	(1) 2M x 72	None	None	None
64MB	(1) 2M x 72	(1) 2M x 72	None	None
128MB	(1) 2M x 72	(1) 2M x 72	(1) 2M x 72	(1) 2M x 72
8MB	(1) 1M x 72	None	None	None
32MB	(1) 1M x 72	(1) 1M x 72	(1) 1M x 72	(1) 1M x 72
64MB	(1) 1M x 72	(1) 1M x 72	(1) 1M x 72	(1) 1M x 72
32MB	(1) 4M x 72	None	None	None
128MB	(1) 4M x 72	(1) 4M x 72	(1) 4M x 72	(1) 4M x 72
256MB	(1) 4M x 72	(1) 4M x 72	(1) 4M x 72	(1) 4M x 72
128MB	(1) 16M x 72	None	None	None
512MB	(1) 16M x 72	(1) 16M x 72	(1) 16M x 72	(1) 16M x 72
1GB	(1) 16M x 72	(1) 16M x 72	(1) 16M x 72	(1) 16M x 72
Note: Board accepts EDO memory. Board also accepts 8M x 72 DIMMs.				

DIMM CONFIGURATION (CON'T)				
Size	Bank 4	Bank 5	Bank 6	Bank 7
16MB	None	None	None	None
32MB	None	None	None	None
64MB	None	None	None	None
32MB	(1) 2M x 72	None	None	None
64MB	(1) 2M x 72	(1) 2M x 72	None	None
128MB	(1) 2M x 72	(1) 2M x 72	(1) 2M x 72	(1) 2M x 72
8MB	None	None	None	None
32MB	None	None	None	None
64MB	(1) 1M x 72	(1) 1M x 72	(1) 1M x 72	(1) 1M x 72
32MB	None	None	None	None
128MB	None	None	None	None
256MB	(1) 4M x 72	(1) 4M x 72	(1) 4M x 72	(1) 4M x 72
128MB	None	None	None	None
512MB	None	None	None	None
1GB	(1) 16M x 72	(1) 16M x 72	(1) 16M x 72	(1) 16M x 72
Note: Board accepts EDO memory.				

DIMM VOLTAGE CONFIGURATION		
Voltage	J11	J12
3.3v	1 & 2, 3 & 4, 5 & 6, 7 & 8, 9 & 10, 11 & 12, 13 & 14, 15 & 16, 17 & 18, 19 & 20	Open

Continued on next page. . .

AMERICAN MEGATRENDS, INC.

GOLIATH PCI QUAD

... continued from previous page

CACHE CONFIGURATION

Note: 256KB/512KB cache is located on the Pentium Pro CPU.

CPU SPEED SELECTION

CPU speed	Clock speed	J15	J190
133MHz	66MHz	1 & 2, 3 & 4, 5 & 6, 7 & 8	1 & 2, 3 & 4, 5 & 6, 7 & 8
150MHz	60MHz	1 & 2, 3 & 4, 7 & 8	1 & 2, 3 & 4, 7 & 8
180MHz	60MHz	1 & 2, 3 & 4, 5 & 6	1 & 2, 3 & 4, 5 & 6
200MHz	66MHz	1 & 2, 3 & 4, 5 & 6	1 & 2, 3 & 4, 5 & 6
233MHz	66MHz	1 & 2, 3 & 4	1 & 2, 3 & 4
240MHz	60MHz	3 & 4, 5 & 6, 7 & 8	3 & 4, 5 & 6, 7 & 8
283MHz	66MHz	3 & 4, 7 & 8	3 & 4, 7 & 8
300MHz	60MHz	3 & 4, 5 & 6	3 & 4, 5 & 6
325MHz	60MHz	3 & 4	3 & 4

Note: Pins designated should be in the closed position. The location of J190 is unidentified. J15 sets CPU card 1 and J190 sets CPU card 2.

PCI SPEED SELECTION

CPU speed	External	Internal	J16
150MHz	60MHz	30MHz	Pins 1 & 2, 5 & 6 closed
180MHz	60MHz	30MHz	Pins 1 & 2, 5 & 6 closed
200MHz	66MHz	33MHz	Pins 3 & 4 closed

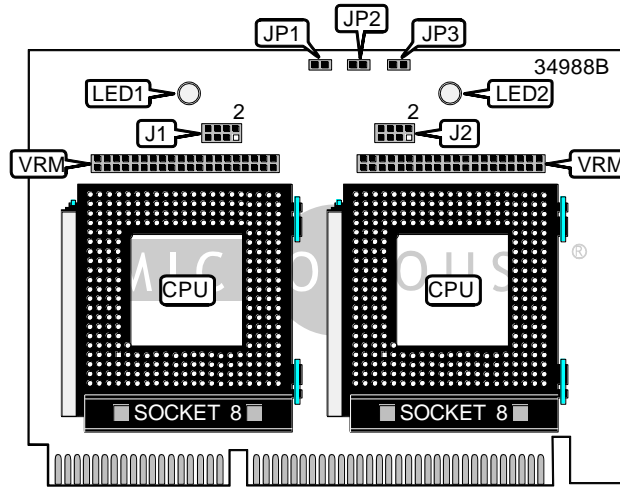
DMA CHANNEL SELECTION

Channel	J18	J19
í None	Open	Open
0	Pins 1 & 2 closed	Pins 1 & 2 closed
1	Pins 3 & 4 closed	Pins 3 & 4 closed
3	Pins 5 & 6 closed	Pins 5 & 6 closed

Continued on next page...

AMERICAN MEGATRENDS, INC.
 GOLIATH PCI QUAD

... continued from previous page



CPU CARD 1

CONNECTIONS			
Purpose	Location	Purpose	Location
Overheat LED	LED1	Chassis fan power	JP2
Overheat LED	LED2	VRM connectors	VRM
Chassis fan power	JP1		

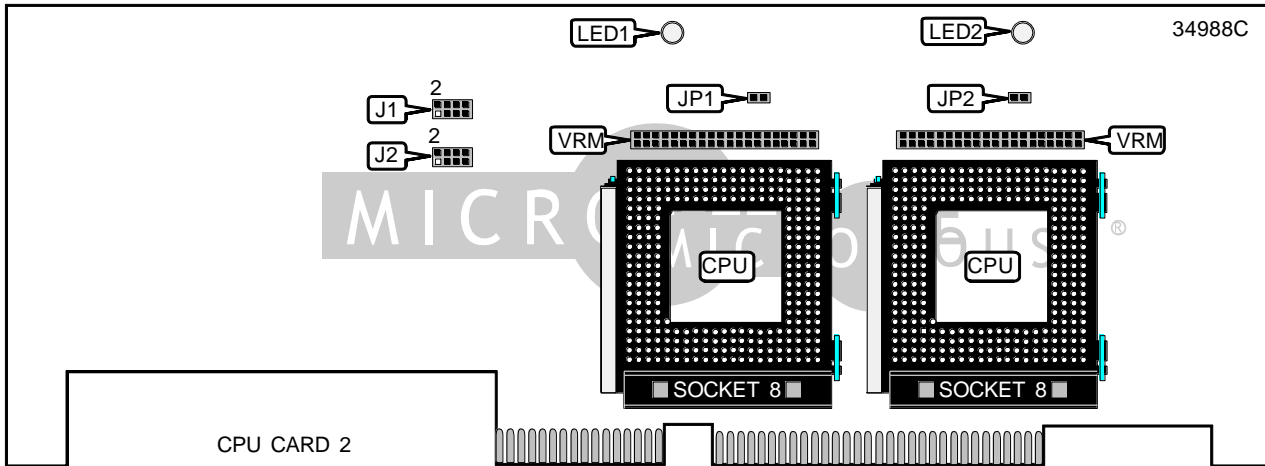
USER CONFIGURABLE SETTINGS		
Function	Label	Position
í Factory configured - do not alter	JP3	Closed

CPU VOLTAGE SELECTION		
Voltage	J1	J2
3.3v	Pins 1 & 2, 5 & 6, 7 & 8 closed	Pins 1 & 2, 5 & 6, 7 & 8 closed

Continued on next page...

AMERICAN MEGATRENDS, INC.
 GOLIATH PCI QUAD

... continued from previous page



CONNECTIONS			
Purpose	Location	Purpose	Location
Overheat LED	LED1	Chassis fan power	JP2
Overheat LED	LED2	VRM connectors	VRM
Chassis fan power	JP1		

CPU VOLTAGE SELECTION		
Voltage	J1	J2
3.3v	Pins 1 & 2, 5 & 6, 7 & 8 closed	Pins 1 & 2, 5 & 6, 7 & 8 closed

MISCELLANEOUS TECHNICAL NOTES.

Note: The LEDs on CPU Card 1 and CPU Card2 are 'overheat' indicators. If any of these LEDs come on on either card, turn computer off as soon as possible to prevent damage.

Note: If installing CPU card 1 only, insert the terminator card in CPU socket 2. Do not use CPU card 2 only