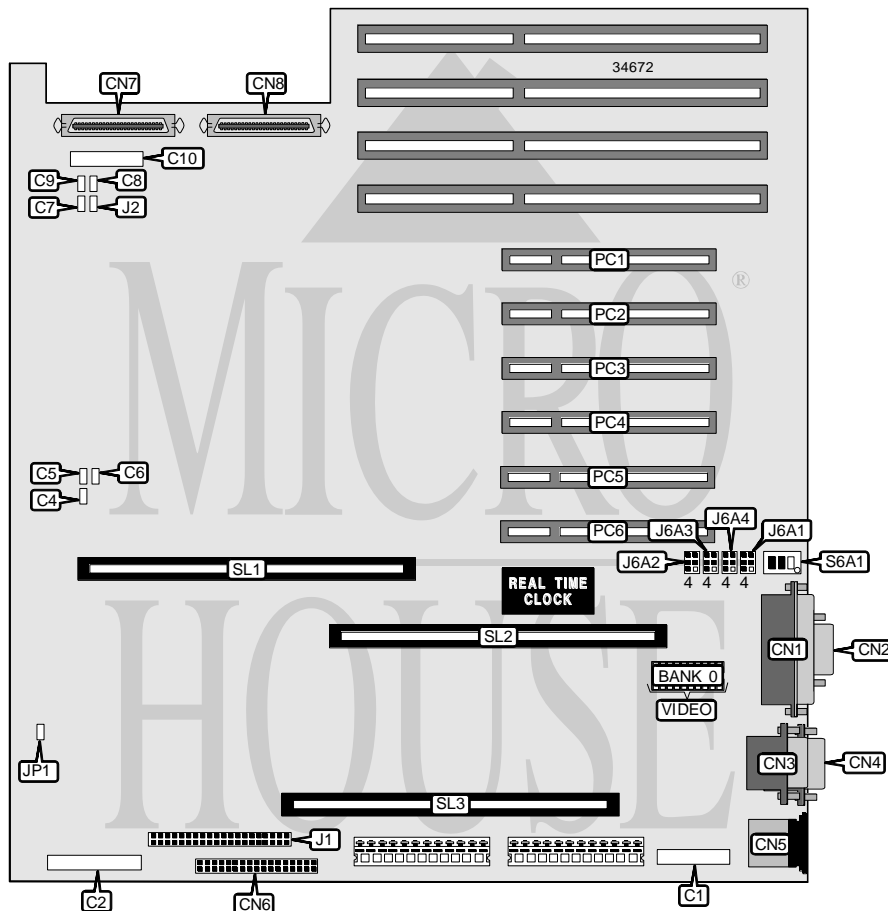


IBM CORPORATION NETFINITY 7000 (TYPE 8651) MODEL RHO, RMO, TMO, THO

Processor	Pentium Pro
Processor Speed	200MHz
Chip Set	Unidentified
Video Chip Set	Cirrus Logic
Maximum Onboard Memory	4GB
Maximum Video Memory	1MB
Cache	512/1024KB (located on Pentium Pro CPU)
BIOS	Unidentified
Dimensions	355mm x 304mm
I/O Options	32-bit PCI slots (6), floppy drive interface, IDE interface, Ultra Wide SCSI interfaces (2), parallel port, PS/2 mouse port, serial ports (2), VGA port, riser slots (2), memory slot
NPU Options	None



Continued on next page . . .

IBM CORPORATION
NETFINITY 7000 (TYPE 8651) MODEL RHO, RMO, TMO,
THO

... continued from previous page

CONNECTIONS			
Purpose	Location	Purpose	Location
Power control connector	C1	Serial port	CN4
Front panel connector	C2	PS/2 mouse port	CN5
Chassis fan power	C4	Floppy drive interface	CN6
Chassis fan power	C5	Ultra Wide SCSI interface	CN7
SCSI interface LED	C6	Ultra Wide SCSI interface	CN8
Chassis fan power	C8	IDE interface	J1
Chassis fan power	C9	32-bit PCI slots	PC1 – PC6
SCSI interface LED	C10	CPU slot (primary)	SL1
Parallel port	CN1	CPU slot (secondary)	SL2
VGA port	CN2	Memory slot	SL3
Serial port	CN3		

USER CONFIGURABLE SETTINGS		
Function	Label	Position
í Factory configured - do not alter	C7	Unidentified
í Factory configured - do not alter	J2	Unidentified
í Flash BIOS normal operation	J6A1	Pins 1 & 2 closed
Flash BIOS recovery mode	J6A1	Pins 2 & 3 closed
í BIOS boot block write protected	J6A1	Pins 4 & 5 closed
BIOS boot block write programmable	J6A1	Pins 5 & 6 closed
í Video sleep register select 03C3H	J6A2	Pins 4 & 5 closed
Video sleep register select 46E8H	J6A2	Pins 5 & 6 closed
í Factory configured - do not alter	J6A3	Unidentified
í Flash BIOS update disabled	J6A4	Pins 1 & 2 closed
Flash BIOS update enabled	J6A4	Pins 2 & 3 closed
í Factory configured - do not alter	JP1	Unidentified
í CMOS memory normal operation	S6A1/1	Off
CMOS memory clear	S6A1/1	On
í Password normal operation	S6A1/2	Off
Password clear	S6A1/2	On
í Factory configured - do not alter	S6A1/3	Off

Continued on next page. . .

IBM CORPORATION
NETFINITY 7000 (TYPE 8651) MODEL RHO, RMO, TMO,
THO

... continued from previous page

DIMM CONFIGURATION				
Size	Bank 0	Bank 1	Bank 2	Bank 3
256MB	(4) 8M x 64	None	None	None
512MB	(4) 16M x 64	None	None	None
512MB	(4) 8M x 64	(4) 8M x 64	None	None
768MB	(4) 16M x 64	(4) 8M x 64	None	None
768MB	(4) 8M x 64	(4) 8M x 64	(4) 8M x 64	None
1024MB	(4) 16M x 64	(4) 8M x 64	(4) 8M x 64	None
1024MB	(4) 32M x 64	None	None	None
1024MB	(4) 8M x 64	(4) 8M x 64	(4) 8M x 64	(4) 8M x 64
1024MB	(4) 16M x 64	(4) 16M x 64	None	None
1280MB	(4) 16M x 64	(4) 8M x 64	(4) 8M x 64	(4) 8M x 64
1280MB	(4) 32M x 64	(4) 8M x 64	None	None
1536MB	(4) 32M x 64	(4) 16M x 64	None	None
1536MB	(4) 32M x 64	(4) 8M x 64	(4) 8M x 64	None
1536MB	(4) 16M x 64	(4) 16M x 64	(4) 16M x 64	None
1792MB	(4) 32M x 64	(4) 8M x 64	(4) 8M x 64	(4) 8M x 64
2048MB	(4) 32M x 64	(4) 16M x 64	(4) 16M x 64	None
2048MB	(4) 16M x 64	(4) 16M x 64	(4) 16M x 64	(4) 16M x 64
2048MB	(4) 32M x 64	(4) 32M x 64	None	None
2560MB	(4) 32M x 64	(4) 16M x 64	(4) 16M x 64	(4) 16M x 64
3072MB	(4) 32M x 64	(4) 32M x 64	(4) 32M x 64	None
4096MB	(4) 32M x 64	(4) 32M x 64	(4) 32M x 64	(4) 32M x 64

Note: The memory is installed on a memory card.

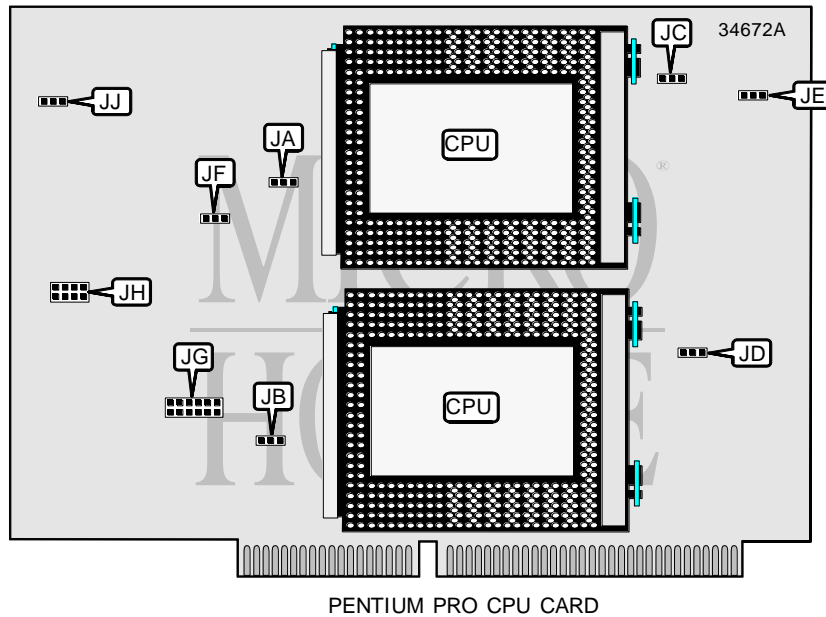
VIDEO MEMORY CONFIGURATION	
Size	Bank 0
512KB	512KB
1MB	1MB

Note: The size of the video memory is unidentified.

Continued on next page. . .

IBM CORPORATION
NETFINITY 7000 (TYPE 8651) MODEL RHO, RMO, TMO,
THO

... continued from previous page



CONNECTIONS			
Purpose	Location	Purpose	Location
Chassis fan power	JC	Fail harness connector	JJ
Chassis fan power	JD		

USER CONFIGURABLE SETTINGS		
Function	Label	Position
í Factory configured - do not alter	JA	Pins 1 & 2 closed
í Factory configured - do not alter	JB	Pins 1 & 2 closed
í Factory configured - do not alter	JE	Unidentified
í Factory configured - do not alter	JF	Unidentified
í Factory configured - do not alter	JG/pins 1 & 2	Closed
í Factory configured - do not alter	JG/pins 3 & 4	Open
í Factory configured - do not alter	JG/pins 5 & 6	Closed
í Factory configured - do not alter	JG/pins 7 & 8	Closed
í Factory configured - do not alter	JG/pins 9 & 10	Unidentified
í Factory configured - do not alter	JG/pins 11 & 12	Unidentified

Continued on next page...

IBM CORPORATION
NETFINITY 7000 (TYPE 8651) MODEL RHO, RMO, TMO,
THO

... continued from previous page

CACHE CONFIGURATION	
Note: 512/1024KB cache is located on the Pentium Pro CPU.	

CACHE JUMPER CONFIGURATION	
Size	JH
512KB	Pins 1 & 2, 3 & 4 closed
1024KB	Pins 5 & 6, 7 & 8 closed