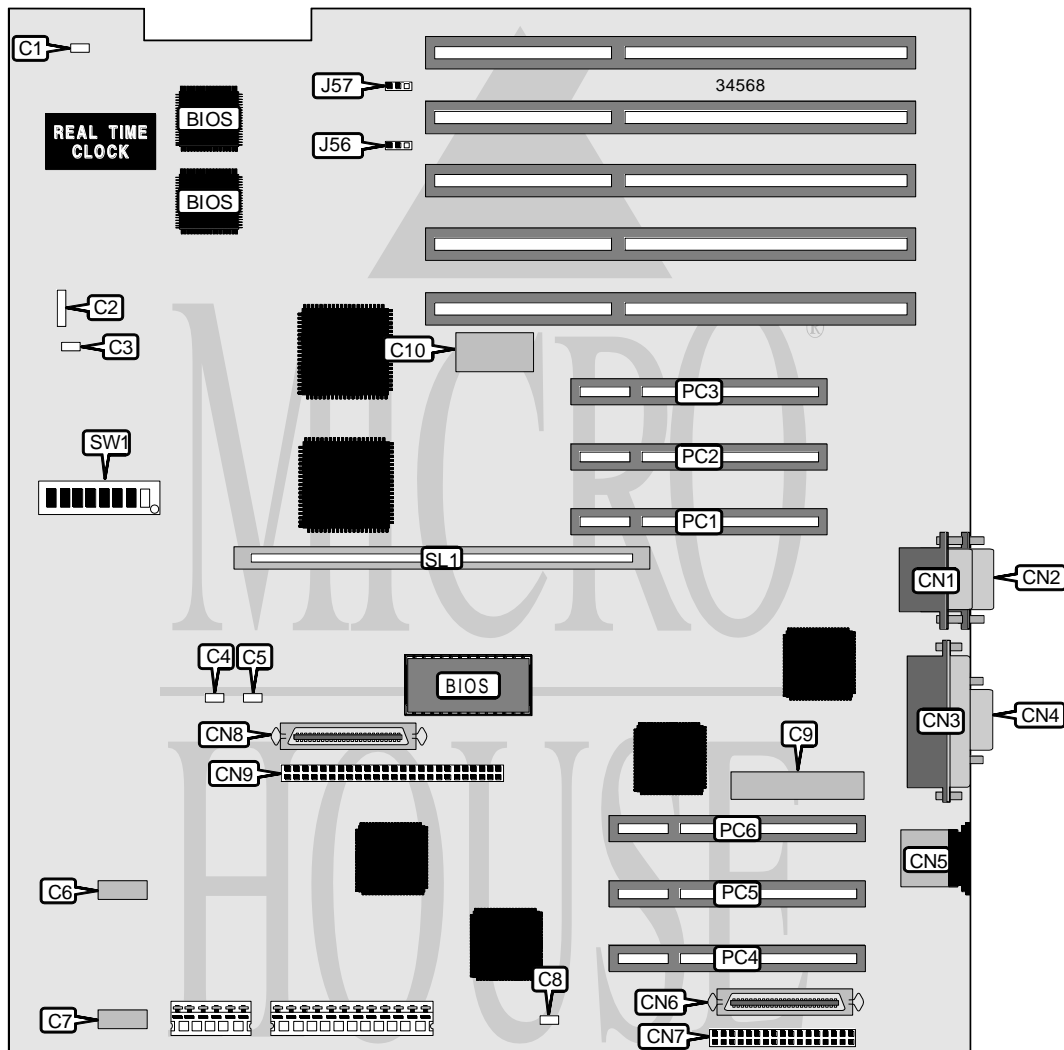


DIGITAL EQUIPMENT CORPORATION PRIORIS HX 6000

Processor	Pentium Pro
Processor Speed	200MHz
Chip Set	Unidentified
Video Chip Set	Unidentified
Maximum Onboard Memory	512MB (EDO supported)
Maximum Video Memory	Unidentified
Cache	256/512KB (located on Pentium Pro CPU)
BIOS	Unidentified
Dimensions	355mm x 304mm
I/O Options (Backplane)	32-bit PCI slots (6), floppy drive interface, SCSI interface, Ultra Wide SCSI interfaces (2), VGA port, parallel port, PS/2 mouse port, serial ports (2), CPU card slot , Ethernet connector
I/O Options (CPU)	VRM connectors (2)
NPU Options	None



Continued on next page. . .

DIGITAL EQUIPMENT CORPORATION
 PRIORIS HX 6000

... continued from previous page

CONNECTIONS			
Purpose	Location	Purpose	Location
Chassis fan power	C1	Serial port	CN2
Speaker	C2	Parallel port	CN3
Chassis fan power	C3	VGA port	CN4
Chassis fan power	C4	PS/2 mouse port	CN5
Chassis fan power	C5	Ultra Wide SCSI interface	CN6
OCP connector	C6	Floppy drive interface	CN7
Power control	C7	Ultra Wide SCSI interface	CN8
Chassis fan power	C8	Ultra Wide SCSI interface	CN9
Ethernet connector	C9	32-bit PCI slots	PC1 – PC6
Remote Server Management connector	C10	CPU card slot	SL1
Serial port	CN1		

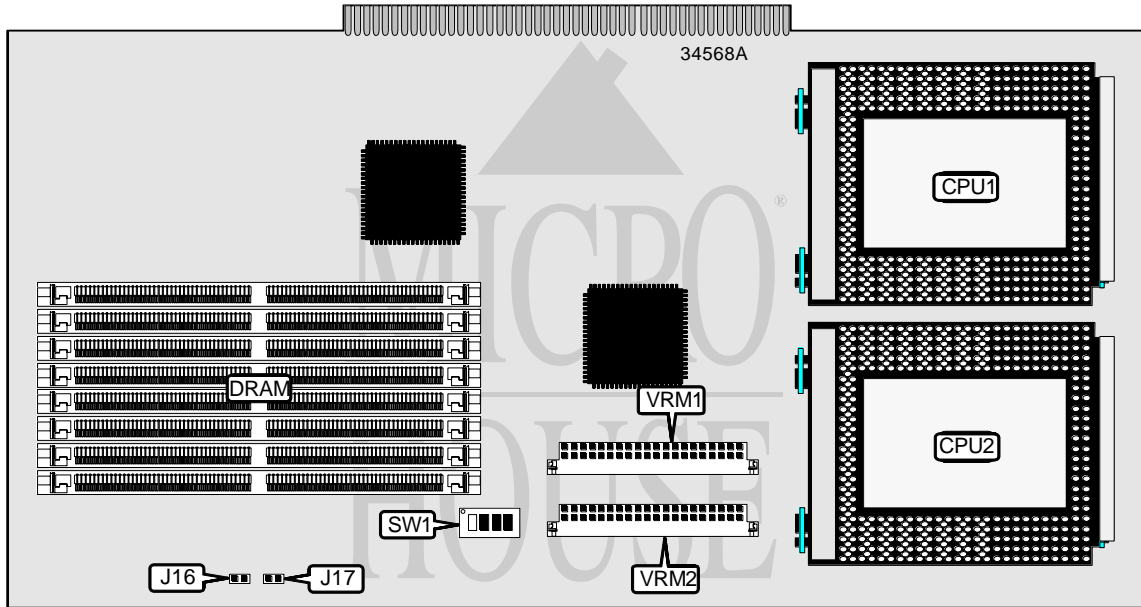
USER CONFIGURABLE SETTINGS		
Function	Label	Position
í EISA slot 4 master delay select normal	J56	Pins 1 & 2 closed
EISA slot 4 master delay select delay 1 clock cycle	J56	Pins 2 & 3 closed
í EISA slot 5 master delay select normal	J57	Pins 1 & 2 closed
EISA slot 5 master delay select delay 1 clock cycle	J57	Pins 2 & 3 closed
í BIOS upgrade disabled	SW1/1	Off
BIOS upgrade enabled	SW1/1	On
í Flash BIOS normal operation	SW1/2	Off
Flash BIOS recovery mode	SW1/2	On
í Boot block disabled	SW1/3	Off
Boot block enabled	SW1/3	On
í Password normal operation	SW1/4	Off
Password clear	SW1/4	On
í RSM not installed	SW1/5	On
RSM installed	SW1/5	Off
í NVRAM memory normal operation	SW1/6	Off
NVRAM memory clear	SW1/6	On
í Factory configured - do not alter	SW1/7	Off
í Factory configured - do not alter	SW1/8	Off

VIDEO MEMORY CONFIGURATION
Note: The location and size of the video memory is unidentified.

Continued on next page...

DIGITAL EQUIPMENT CORPORATION
 PRIORIS HX 6000

... continued from previous page



CPU CARD

CONNECTIONS			
Purpose	Location	Purpose	Location
VRM connector	VRM1	VRM connector	VRM2

USER CONFIGURABLE SETTINGS			
Function	Label	Position	
í Factory configured - do not alter	J16	Open	
í Factory configured - do not alter	J17	Open	

SIMM CONFIGURATION				
Size	Bank 0	Bank 1	Bank 2	Bank 3
32MB	(2) 4M x 36	None	None	None
64MB	(2) 4M x 36	(2) 4M x 36	None	None
64MB	(2) 8M x 36	None	None	None
96MB	(2) 4M x 36	(2) 4M x 36	(2) 4M x 36	None
128MB	(2) 4M x 36	(2) 4M x 36	(2) 4M x 36	(2) 4M x 36
128MB	(2) 8M x 36	(2) 8M x 36	None	None
128MB	(2) 16M x 36	None	None	None
192MB	(2) 8M x 36	(2) 8M x 36	(2) 8M x 36	None
256MB	(2) 8M x 36	(2) 8M x 36	(2) 8M x 36	(2) 8M x 36
512MB	(2) 16M x 36	(2) 16M x 36	(2) 16M x 36	(2) 16M x 36

Note: Board accepts EDO memory.

Continued on next page. . .

DIGITAL EQUIPMENT CORPORATION
PRIORIS HX 6000

... continued from previous page

CACHE CONFIGURATION

Note: 256KB/512KB cache is located on the Pentium Pro CPU.

CPU SPEED SELECTION

CPU speed	Clock speed	Multiplier	SW1/1	SW1/2	SW1/3	SW1/4
200MHz	66MHz	3x	On	On	Off	On