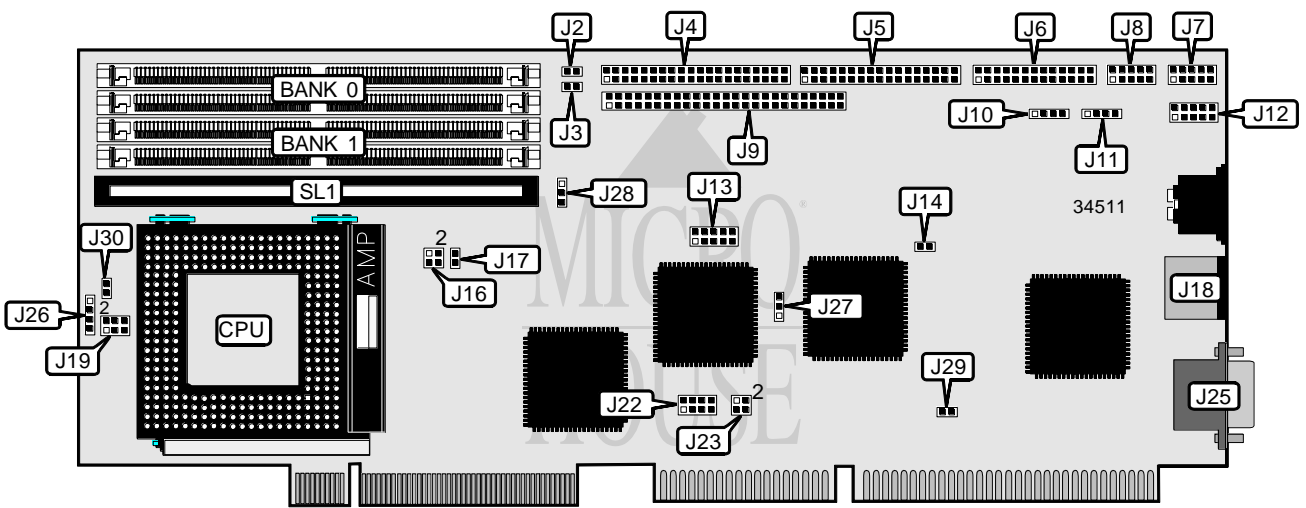


# I-BUS LEOPARDSHARK

<b>Processor</b>	Pentium
<b>Processor Speed</b>	75/90/100/120/133/150/166/200MHz
<b>Chip Set</b>	Intel
<b>Video Chip Set</b>	None
<b>Maximum Onboard Memory</b>	512MB (EDO supported)
<b>Maximum Video Memory</b>	None
<b>Cache</b>	512KB
<b>BIOS</b>	Unidentified
<b>Dimensions</b>	Unidentified
<b>I/O Options</b>	Floppy drive interface, IDE interface, SCSI interface, parallel port, PS/2 mouse port, serial ports (2), cache slot, USB connector, VGA port
<b>NPU Options</b>	None



CONNECTIONS			
Purpose	Location	Purpose	Location
IDE interface LED	J2	External battery	J10
Reset switch	J3	Speaker	J11
IDE interface	J4	Auxiliary keyboard connector	J12
Floppy drive interface	J5	USB connector	J13
Parallel port	J6	PS/2 mouse port	J18
Serial port 2	J7	VGA port	J25
Serial port 1	J8	Chassis fan power	J26
SCSI interface	J9	Cache slot	SL1

Continued on next page . . .

# I-BUS LEOPARDSHARK

... continued from previous page

USER CONFIGURABLE SETTINGS		
Function	Label	Position
Battery type select internal	J10	Pins 1 & 2 closed
Battery type select external	J10	Closed
CMOS memory clear	J10	Open
í Watchdog timer disabled	J14	Open
Watchdog timer enabled	J14	Closed
í Factory configured - do not alter	J22	Unidentified
í On board video enabled	J27	Pins 1 & 2 closed
On board video disabled	J27	Pins 2 & 3 closed
í SCSI enabled	J28	Pins 1 & 2 closed
SCSI disabled	J28	Pins 2 & 3 closed
í Flash BIOS write disabled	J29	Open
Flash BIOS write enabled	J29	Closed

SIMM CONFIGURATION		
Size	Bank 0	Bank 1
8MB	(2) 1M x 36	None
16MB	(2) 2M x 36	None
16MB	(2) 1M x 36	(2) 1M x 36
24MB	(2) 2M x 36	(2) 1M x 36
32MB	(2) 4M x 36	None
32MB	(2) 2M x 36	(2) 2M x 36
40MB	(2) 4M x 36	(2) 1M x 36
48MB	(2) 4M x 36	(2) 2M x 36
64MB	(2) 8M x 36	None
64MB	(2) 4M x 36	(2) 4M x 36
72MB	(2) 8M x 36	(2) 1M x 36
80MB	(2) 8M x 36	(2) 2M x 36
96MB	(2) 8M x 36	(2) 4M x 36
128MB	(2) 8M x 36	(2) 8M x 36
128MB	(2) 16M x 36	None
136MB	(2) 16M x 36	(2) 1M x 36
144MB	(2) 16M x 36	(2) 2M x 36
160MB	(2) 16M x 36	(2) 4M x 36
192MB	(2) 16M x 36	(2) 8M x 36
256MB	(2) 16M x 36	(2) 16M x 36
256MB	(2) 32M x 36	None
264MB	(2) 32M x 36	(2) 1M x 36
272MB	(2) 32M x 36	(2) 2M x 36
288MB	(2) 32M x 36	(2) 4M x 36
320MB	(2) 32M x 36	(2) 8M x 36
384MB	(2) 32M x 36	(2) 16M x 36
512MB	(2) 32M x 36	(2) 32M x 36

Note: Board accepts EDO memory. Board also accepts x 32 SIMMs.

Continued on next page. . .

# I-BUS LEOPARDSHARK

... continued from previous page

CACHE CONFIGURATION	
Size	SL1
512KB	512KB module installed

CPU SPEED SELECTION (P54C)						
CPU speed	Clock speed	Multiplier	J16	J17	J19	J30
75MHz	50MHz	1.5x	1 & 3, 2 & 4	Open	1 & 3, 2 & 4	1 & 2
90MHz	60MHz	1.5x	2 & 4	Open	1 & 3, 2 & 4	1 & 2
100MHz	66MHz	1.5x	1 & 3	Open	1 & 3, 2 & 4	1 & 2
120MHz	60MHz	2x	2 & 4	Open	2 & 4, 3 & 5	Open
133MHz	66MHz	2x	1 & 3	Open	2 & 4, 3 & 5	Open
150MHz	60MHz	2.5x	2 & 4	Open	3 & 5, 4 & 6	Open
166MHz	66MHz	2.5x	1 & 3	Open	3 & 5, 4 & 6	Open
200MHz	66MHz	3x	1 & 3	Open	1 & 3, 4 & 6	Open

Note: Pins designated should be in the closed position.

CPU SPEED SELECTION (P55C)						
CPU speed	Clock speed	Multiplier	J16	J17	J19	J30
166MHz	66MHz	2.5x	1 & 3	Open	3 & 5, 4 & 6	1 & 2
200MHz	66MHz	3x	1 & 3	Open	1 & 3, 4 & 6	1 & 2

Note: Pins designated should be in the closed position.

WATCHDOG/ISA BUS INTERRUPT SELECTION	
IRQ	J23
í IRQ11 for ISA bus	Pins 3 & 4 closed
IRQ11 for watchdog timer	Pins 1 & 3 closed
IRQ11 for watchdog timer & ISA bus	Pins 1 & 3, 2 & 4 closed