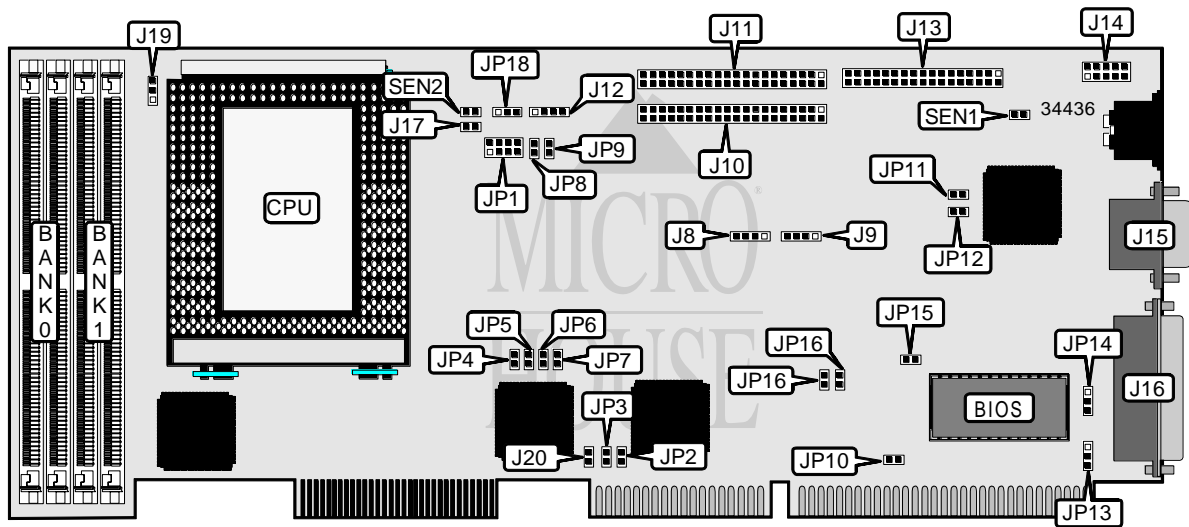


CSS LABORATORIES, INC.

MS - 6 8 6 1

Processor	Pentium Pro
Processor Speed	180/200/266MHz
Chip Set	Intel
Video Chip Set	None
Maximum Onboard Memory	512MB
Maximum Video Memory	None
Cache	256/512KB (located on Pentium Pro CPU)
BIOS	AMI
Dimensions	Unidentified
I/O Options	Floppy drive interface, IDE interfaces (2), parallel port, serial ports (2), USB connectors (2)
NPU Options	None



CONNECTIONS			
Purpose	Location	Purpose	Location
USB connector	J8	Floppy drive interface	J13
USB connector	J9	Serial port 2	J14
IDE interface 2	J10	Serial port 1	J15
IDE interface 1	J11	Parallel port	J16
IDE interface LED	J12	Chassis fan power	JP17

Continued on next page . . .

... continued from previous page

USER CONFIGURABLE SETTINGS		
Function	Label	Position
í Factory configured - do not alter	J17	Unidentified
í Factory configured - do not alter	J19	Unidentified
í Factory configured - do not alter	J20	Unidentified
í Factory configured - do not alter	JP1	Unidentified
í ISA bus speed/ clock select /3, 10MHz	JP10	Pins 2 & 3 closed
ISA bus speed/ clock select /4, 7.5MHz	JP10	Pins 1 & 2 closed
í Password normal operation	JP11	Open
Password clear	JP11	Closed
í CMOS memory normal operation	JP12	Open
CMOS memory clear	JP12	Closed
BIOS boot block disabled	JP13	Pins 2 & 3 closed
BIOS boot block enabled	JP13	Pins 1 & 2 closed
BIOS programming disabled	JP14	Pins 2 & 3 closed
BIOS programming enabled	JP14	Pins 1 & 2 closed
í Factory configured - do not alter	JP15	Unidentified
í Factory configured - do not alter	JP16	Unidentified
í Factory configured - do not alter	SEN1	Unidentified
í Factory configured - do not alter	SEN2	Unidentified

DRAM CONFIGURATION		
Size	Bank 0	Bank 1
8MB	(2) 1M x 36	None
16MB	(2) 2M x 36	None
16MB	(2) 1M x 36	(2) 1M x 36
24MB	(2) 2M x 36	(2) 1M x 36
32MB	(2) 4M x 36	None
32MB	(2) 2M x 36	(2) 2M x 36
40MB	(2) 4M x 36	(2) 1M x 36
48MB	(2) 4M x 36	(2) 2M x 36
64MB	(2) 8M x 36	None
64MB	(2) 4M x 36	(2) 4M x 36
80MB	(2) 8M x 36	(2) 2M x 36
96MB	(2) 8M x 36	(2) 4M x 36
128MB	(2) 8M x 36	(2) 8M x 36
128MB	(2) 16M x 36	None
136MB	(2) 16M x 36	(2) 1M x 36
144MB	(2) 16M x 36	(2) 2M x 36
160MB	(2) 16M x 36	(2) 4M x 36
192MB	(2) 16M x 36	(2) 8M x 36
256MB	(2) 16M x 36	(2) 16M x 36
256MB	(2) 32M x 36	None

Continued on next page. . .

... continued from previous page

DRAM CONFIGURATION (CON'T)		
Size	Bank 0	Bank 1
264MB	(2) 32M x 36	(2) 1M x 36
288MB	(2) 32M x 36	(2) 4M x 36
320MB	(2) 32M x 36	(2) 8M x 36
384MB	(2) 32M x 36	(2) 16M x 36
512MB	(2) 32M x 36	(2) 32M x 36

Note: Board also accepts x 32 SIMMs.

CACHE CONFIGURATION
Note: 256KB/512KB cache is located on the Pentium Pro CPU.

CPU SPEED SELECTION						
CPU speed	Clock speed	Multiplier	JP2	JP3	JP4	JP5
180MHz	60MHz	3x	Closed	Open	Closed	Open
200MHz	66MHz	3x	Open	Closed	Closed	Open
266MHz	66MHz	4x	Open	Closed	Closed	Closed

CPU SPEED SELECTION (CON'T)						
CPU speed	Clock speed	Multiplier	JP6	JP7	JP8	JP9
180MHz	60MHz	3x	Closed	Closed	Closed	Open
200MHz	66MHz	3x	Closed	Closed	Open	Closed
266MHz	66MHz	4x	Open	Closed	Open	Closed

CPU TYPE SELECTION	
Type	JP18
Pentium Pro	Pins 1 & 2 closed
Overdrive	Pins 2 & 3 closed