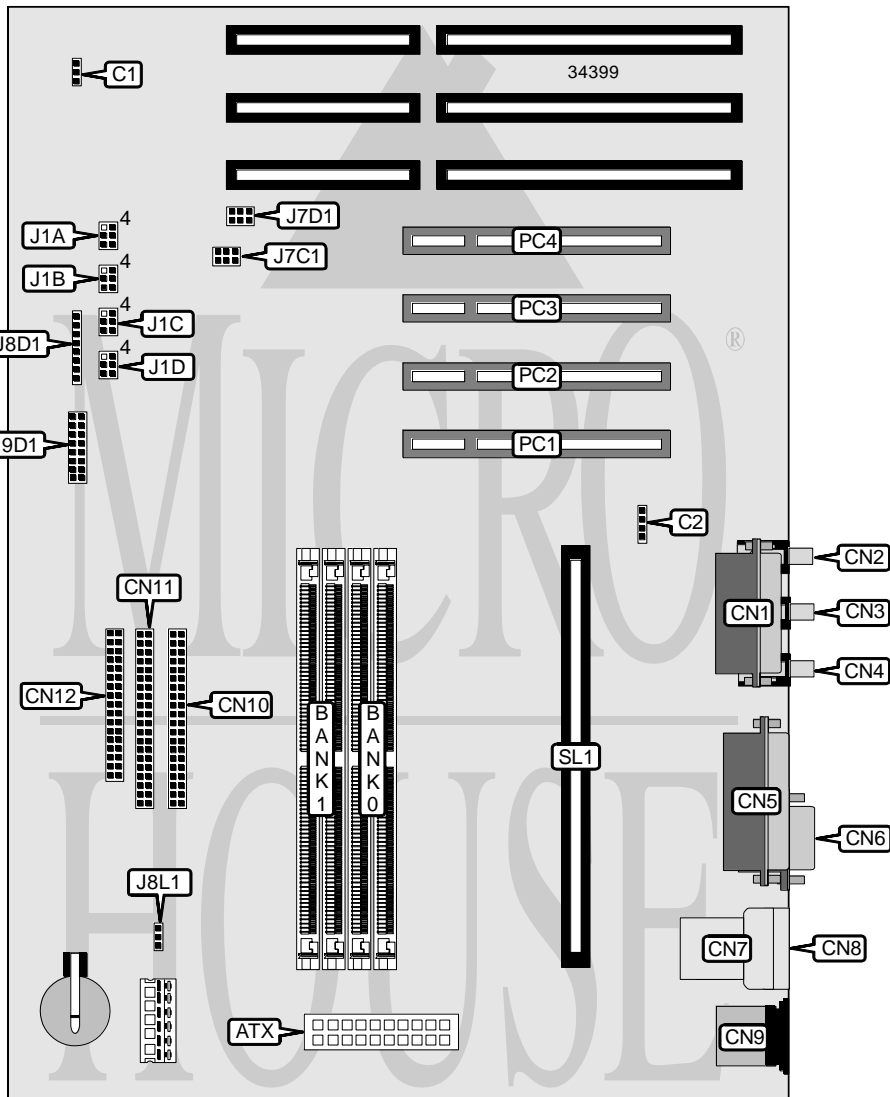


# DELL COMPUTER CORPORATION DIMENSION XPS HXXX

<b>Processor</b>	Pentium II
<b>Processor Speed</b>	233/266MHz
<b>Chip Set</b>	Intel
<b>Video Chip Set</b>	None
<b>Maximum Onboard Memory</b>	128MB (EDO supported)
<b>Maximum Video Memory</b>	None
<b>Cache</b>	512KB (located on Pentium II CPU)
<b>BIOS</b>	Unidentified
<b>Dimensions</b>	305mm x 244mm
<b>I/O Options</b>	32-bit PCI slots (4), floppy drive interface, IDE interfaces (2), parallel port, PS/2 mouse port, serial ports (2), USB connectors (2), ATX power connector, line in, line out, microphone in, game/MIDI port, CPU Slot 1, CD-ROM audio in
<b>NPU Options</b>	None



Continued on next page. . .

DELL COMPUTER CORPORATION  
DIMENSION XPS HXXX

... continued from previous page

CONNECTIONS			
Purpose	Location	Purpose	Location
ATX power connector	ATX	IDE interface 2	CN10
CD-ROM audio in	C2	IDE interface 1	CN11
Game/MIDI port	CN1	Floppy drive interface	CN12
Microphone in	CN2	Wavetable connector	J7C1
Line in	CN3	Wavetable connector	J7D1
Line out	CN4	SCSI interface LED	J8D1
Serial port	CN5	Chassis fan power	J8L1
Parallel port	CN6	Front panel connector	J9D1
USB connector	CN7	32-bit PCI slots	PC1 – PC4
USB connector	CN8	CPU Slot 1	SL1
PS/2 mouse port	CN9		

USER CONFIGURABLE SETTINGS		
Function	Label	Position
í Factory configured - do not alter	C1	Unidentified
í Factory configured - do not alter	J1A	Pins 5 & 6 closed
í CMOS memory normal operation	J1C	Pins 5 & 6 closed
CMOS memory clear	J1C	Pins 4 & 5 closed
í Password enabled	J1D	Pins 2 & 3 closed
Password disabled	J1D	Pins 1 & 2 closed
í Setup access enabled	J1D	Pins 5 & 6 closed
Setup access disabled	J1D	Pins 4 & 5 closed

DRAM CONFIGURATION		
Size	Bank 0	Bank 1
8MB	(2) 1M x 32	None
16MB	(2) 2M x 32	None
16MB	(2) 1M x 32	(2) 1M x 32
24MB	(2) 2M x 32	(2) 1M x 32
32MB	(2) 4M x 32	None
32MB	(2) 2M x 32	(2) 2M x 32
40MB	(2) 4M x 32	(2) 1M x 32
48MB	(2) 4M x 32	(2) 2M x 32
64MB	(2) 8M x 32	None
64MB	(2) 4M x 32	(2) 4M x 32
72MB	(2) 8M x 32	(2) 1M x 32
80MB	(2) 8M x 32	(2) 2M x 32
96MB	(2) 8M x 32	(2) 4M x 32
128MB	(2) 8M x 32	(2) 8M x 32

Note: Board accepts EDO memory.

Continued on next page. . .

DELL COMPUTER CORPORATION  
DIMENSION XPS HXXX

... continued from previous page

**CACHE CONFIGURATION**

Note: 512KB cache is located on the Pentium II CPU.

**CPU SPEED SELECTION**

<b>CPU speed</b>	<b>J1A</b>	<b>J1B</b>	<b>J1C</b>
233MHz	Pins 2 & 3 closed	Pins 2 & 3, 5 & 6 closed	Pins 2 & 3 closed
266MHz	Pins 1 & 2 closed	Pins 2 & 3, 5 & 6 closed	Pins 2 & 3 closed