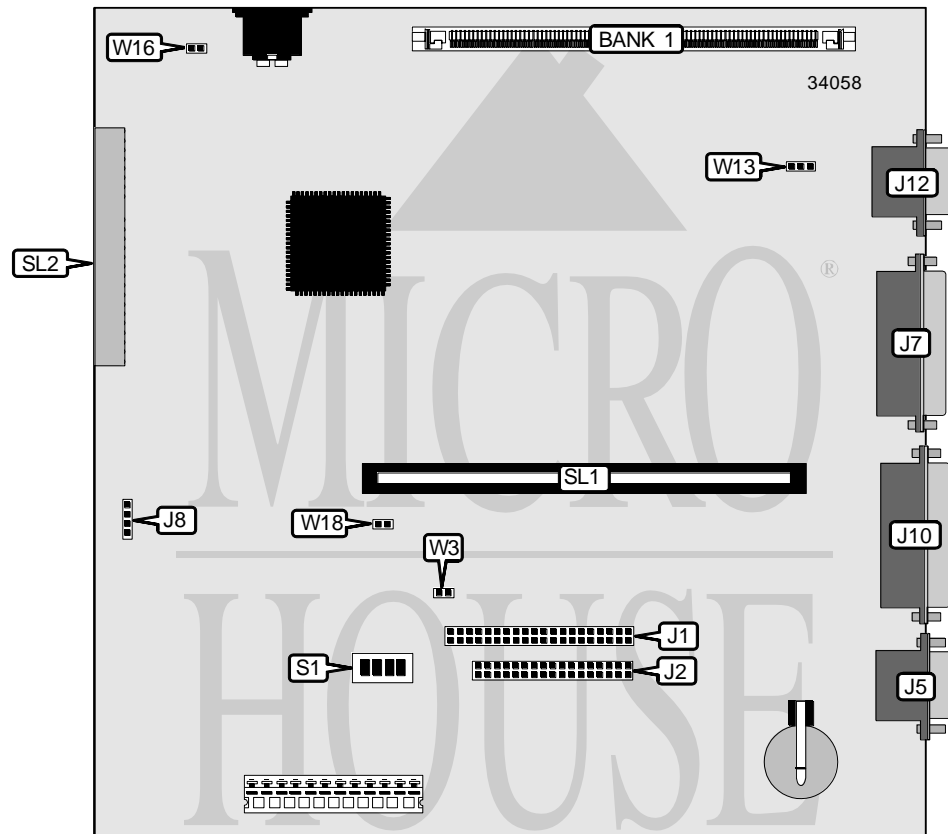


MAGNAVOX

286/386SX-16

Processor	80286/80386SX
Processor Speed	12/16MHz
Chip Set	Unidentified
Video Chip Set	None
Maximum Onboard Memory	8MB
Maximum Video Memory	None
Cache	None
BIOS	Unidentified
Dimensions	220mm x 220mm
I/O Options	Floppy drive interface, IDE interface, parallel port, serial ports (2), VGA port, riser slot connector
NPU Options	80287/80387SX



CONNECTIONS			
Purpose	Location	Purpose	Location
IDE interface	J1	Parallel port	J10
Floppy drive interface	J2	VGA port	J12
9-pin serial port	J5	Riser slot	SL1
25-pin serial port	J7	CPU module connector	SL2
Front panel connector	J8		

Continued on next page. . .

MAGNAVOX

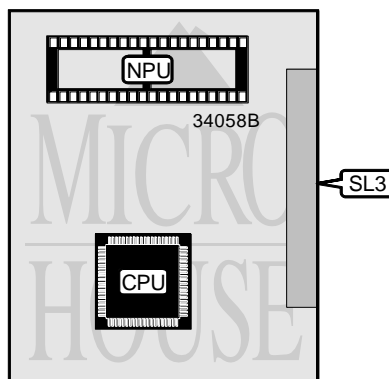
286/386SX-16

... continued from previous page

USER CONFIGURABLE SETTINGS		
Function	Label	Position
í On board 1MB memory enabled	S1/1	On
On board 1MB memory disabled	S1/1	Off
í Floppy drive interface enabled	S1/2	Off
Floppy drive interface disabled	S1/2	On
í On board video enabled	S1/3	Off
On board video disabled	S1/3	On
í Password enabled	S1/4	On
Password disabled	S1/4	Off
í Monitor type select monochrome	W3	Open
Monitor type select color	W3	Closed
Parity chips installed for onboard 1MB memory	W13	Pins 1 & 2 closed
Parity chips not installed for onboard 1MB memory	W13	Pins 2 & 3 closed
í Speaker volume select normal	W16	Open
Speaker volume select low	W16	Closed
í Parity chips not installed	W18	Open
Parity chips installed	W18	Closed

DRAM CONFIGURATION		
Size	Bank 0	Bank 1
1MB	1MB	None
2MB	1MB	(1) 256K x 36
5MB	1MB	(1) 1M x 36
8MB	1MB	(1) 2M x 36

Note: Bank 0 is factory installed and is not configurable. The location is unidentified. If 8MB is installed, S1/1 must be set to disabled.



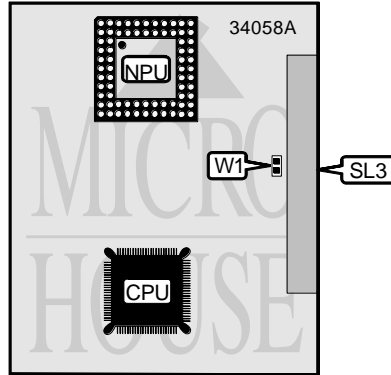
80286 CPU BOARD

CONNECTIONS	
Purpose	Location
Mainboard module connector	SL3

Continued on next page...

MAGNAVOX 286/386SX-16

... continued from previous page



80386 CPU BOARD

CONNECTIONS	
Purpose	Location
Mainboard module connector	SL3

USER CONFIGURABLE SETTINGS		
Function	Label	Position
í NPU not installed	W1	Open
NPU installed	W1	Closed