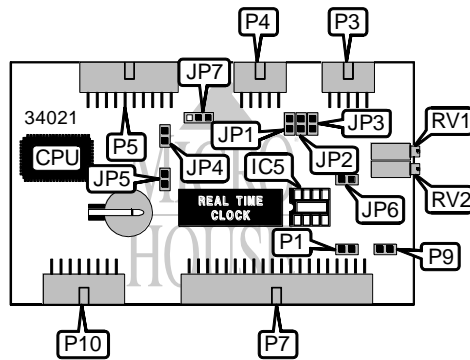


DECISION COMPUTER INTERNATIONAL CO., LTD.

IPCCPU

Processor	Z80
Processor Speed	9.83MHz
Chipset	Unidentified
Maximum Onboard Memory	32KB SRAM/32KB EPROM
BIOS	Unidentified
Video Chipset	Unidentified
Maximum Video Memory	Unidentified
Video Types Supported	LCD display
Highest Resolution Supported	4 x 20 (text only)
I/O Options	Serial ports (2), LCD video out, expansion bus
Dimensions	80 x 100mm



CONNECTIONS			
Function	Label	Function	Label
External battery connector	JP6	Expansion bus	P7
5V DC power in	P1	Reset switch	P9
Generic serial port 2	P3	LCD video out	P10
Generic serial port 1	P4	IC5 voltage adjustment	RV1
Keyboard connector (IPCKEY/IPCKEYM)	P5	LCD contrast adjustment	RV2

Note: RV1 should be adjusted so that pin 4 of IC5 is 1.3V and pin 5 is equal to the voltage going into P1.
P3 and P4 are not RS-232 serial. The interface type is provided by one of the boards on the sections for the IPC232ST, IPC232CL, and IPC422/485 cards.

USER CONFIGURABLE SETTINGS		
Setting	Label	Position
System interrupt timers enabled	JP1	Closed
System interrupt timers disabled	JP1	Open
MAX960 chip not installed in IC5	JP2	Closed
MAX960 chip installed in IC5	JP2	Open
Watchdog timer disabled	JP3	Open
Watchdog timer enabled	JP3	Closed
Power fail interrupt disabled	JP4	Open
Power fail interrupt enabled	JP4	Closed
Real-time clock interrupt disabled	JP5	Open
Real-time clock interrupt enabled	JP5	Closed
Keyboard enabled	JP7	Pins 2 & 3 closed
Keyboard disabled	JP7	Pins 1 & 2 closed

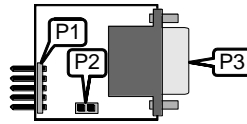
Continued on next page. . .

DECISION COMPUTER INTERNATIONAL CO., LTD.

IPCCPU (IPC232ST, IPC232CL SERIAL CARDS)

... continued from previous page

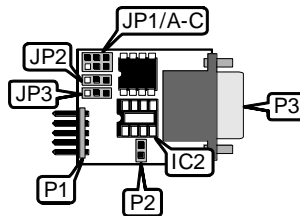
Card Type Serial
 Chipset Unidentified
 I/O Options Serial port



CONNECTIONS			
Function	Label	Function	Label
Header to main board P3 or P4	P1	RS-232 or current loop serial port	P3
DC power in	P2		

IPCCPU (IPC422/485 SERIAL CARD)

Card Type Serial
 Chipset Unidentified
 I/O Options Serial port



CONNECTIONS			
Function	Label	Function	Label
Header to main board P3 or P4	P1	RS-422 or RS-485 serial port	P3
DC power in	P2		

SERIAL PORT CONFIGURATION		
Setting	JP2	JP3
RS-422	Pins 2 & 3 closed	Pins 2 & 3 closed
RS-485	Pins 1 & 2 closed	Open

RECEIVER ENABLE SELECTION			
Setting	JP1/A	JP1/B	JP1/C
RTS enables receiver	Closed	Open	Open
DTR enables receiver	Open	Open	Closed
Receiver always enabled	Open	Closed	Open

Note: The receiver may not be always enabled in RS-485 mode.

MISCELLANEOUS TECHNICAL NOTE
No information is available on the IPC232FS card.