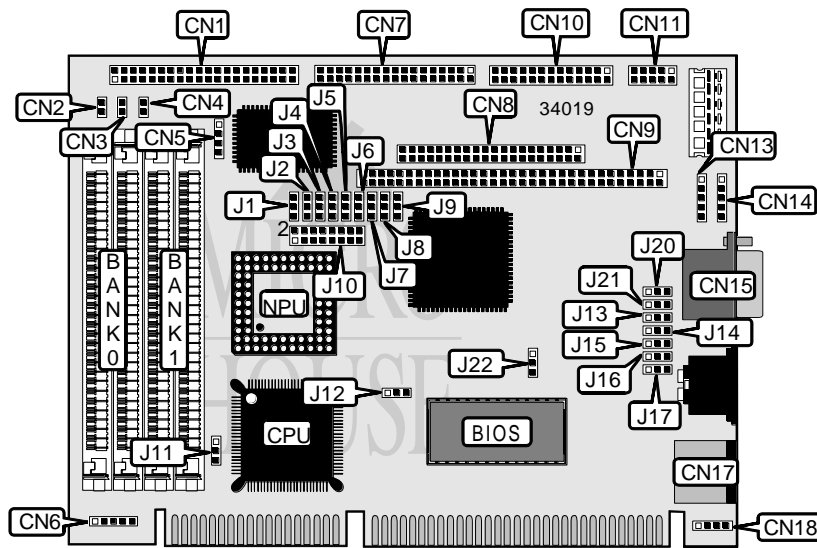


AXIOM TECHNOLOGY, INC.

A X 8 1 2 5

Processor	80386DX/CX486SLC
Processor Speed	20/25/33/40MHz
Chip Set	ALI
Video Chip Set	None
Maximum Onboard Memory	16MB
Maximum Video Memory	None
Cache	None
BIOS	AMI
Dimensions	Unidentified
I/O Options	Floppy drive interface, IDE interface, parallel port, PS/2 mouse port, PS/2 mouse interface, serial ports (2), PC104 connectors (2)
NPU Options	80387DX



CONNECTIONS			
Purpose	Location	Purpose	Location
IDE interface	CN1	PC104 connector	CN9
Turbo LED	CN2	Parallel port	CN10
IDE interface LED	CN3	Serial port 1	CN11
Reset switch	CN4	Auxiliary keyboard connector	CN13
Speaker	CN5	PS/2 mouse interface	CN14
Power LED & keylock	CN6	Serial port 2	CN15
Floppy drive interface	CN7	PS/2 mouse port	CN17
PC104 connector	CN8	External battery	CN18

Continued on next page. . .

AXIOM TECHNOLOGY, INC.
A X 8 1 2 5

... continued from previous page

USER CONFIGURABLE SETTINGS		
Function	Label	Position
í Floppy drive interface enabled	J1	Pins 1 & 2 closed
Floppy drive interface disabled	J1	Pins 2 & 3 closed
í IDE interface enabled	J2	Pins 1 & 2 closed
IDE interface disabled	J2	Pins 2 & 3 closed
í Parallel port address select 378-37F	J5	Pins 1 & 2 closed
Parallel port address select 278-27F	J5	Pins 2 & 3 closed
í Serial port 1 enabled	J6	Pins 1 & 2 closed
Serial port 1 disabled	J6	Pins 2 & 3 closed
í Serial port 1 COM select COM1	J7	Pins 1 & 2 closed
Serial port 1 COM select COM3	J7	Pins 2 & 3 closed
í Serial port 2 enabled	J8	Pins 1 & 2 closed
Serial port 2 disabled	J8	Pins 2 & 3 closed
í Serial port 2 COM select COM2	J9	Pins 1 & 2 closed
Serial port 2 COM select COM4	J9	Pins 2 & 3 closed
í Parallel port IRQ select IRQ7	J10	Pins 13 & 14 closed
Parallel port IRQ select IRQ5	J10	Pins 15 & 16 closed
í NPU asynchronous with CPU	J11	Pins 1 & 2 closed
NPU synchronous with CPU	J11	Pins 2 & 3 closed
í Parity check enabled	J22	Pins 2 & 3 closed
Parity check disabled	J22	Pins 1 & 2 closed

DRAM CONFIGURATION		
Size	Bank 0	Bank 1
1MB	(2) 256K x 9	(2) 256K x 9
2MB	(2) 1M x 9	None
4MB	(2) 1M x 9	(2) 1M x 9
8MB	(2) 4M x 9	None
16MB	(2) 4M x 9	(2) 4M x 9

CPU SPEED SELECTION		
Speed	J20	J21
20MHz	Pins 2 & 3 closed	Pins 1 & 2 closed
25MHz	Pins 1 & 2 closed	Pins 2 & 3 closed
33MHz	Pins 2 & 3 closed	Pins 2 & 3 closed
40MHz	Pins 1 & 2 closed	Pins 1 & 2 closed

SERIAL PORT 1 INTERRUPT SELECTION	
IRQ	J10
IRQ3	Pins 3 & 4 closed
í IRQ4	Pins 1 & 2 closed
IRQ5	Pins 5 & 6 closed

Continued on next page. . .

AXIOM TECHNOLOGY, INC.

A X 8 1 2 5

... continued from previous page

SERIAL PORT 2 INTERRUPT SELECTION	
IRQ	J10
í IRQ3	Pins 7 & 8 closed
IRQ4	Pins 9 & 10 closed
IRQ5	Pins 11 & 12 closed

PARALLEL PORT MODE SELECTION		
Setting	J3	J4
Disabled	Pins 2 & 3 closed	Pins 2 & 3 closed
í SPP	Pins 2 & 3 closed	Pins 1 & 2 closed
EPP	Pins 1 & 2 closed	Pins 2 & 3 closed
ECP	Pins 1 & 2 closed	Pins 1 & 2 closed

BANK 2 RAM/ROM/FLASH DISK SELECTION					
Type	J13	J14	J15	J16	J17
Flash 29F010	1 & 2	Open	1 & 2	1 & 2	Open
Flash 29F040	1 & 2	Open	1 & 2	1 & 2	1 & 2
í SRAM 58C1000	2 & 3	Open	2 & 3	2 & 3	2 & 3
SRAM 58C4000	2 & 3	Open	2 & 3	2 & 3	1 & 2
EPROM 27C512	Open	Open	1 & 2	1 & 2	2 & 3
EPROM 27C010	1 & 2	Open	1 & 2	1 & 2	Open
EPROM 27C020	1 & 2	Open	1 & 2	1 & 2	1 & 2
EPROM 27C040	Open	1 & 2	1 & 2	1 & 2	1 & 2

Note: Pins designated should be in the closed position.

WATCHDOG TIMER SELECTION	
Setting	J12
í Active NMI to CPU IRQ system when WDT time out	Pins 1 & 2 closed
Reset system when WDT time out	Pins 2 & 3 closed
Disabled	Open