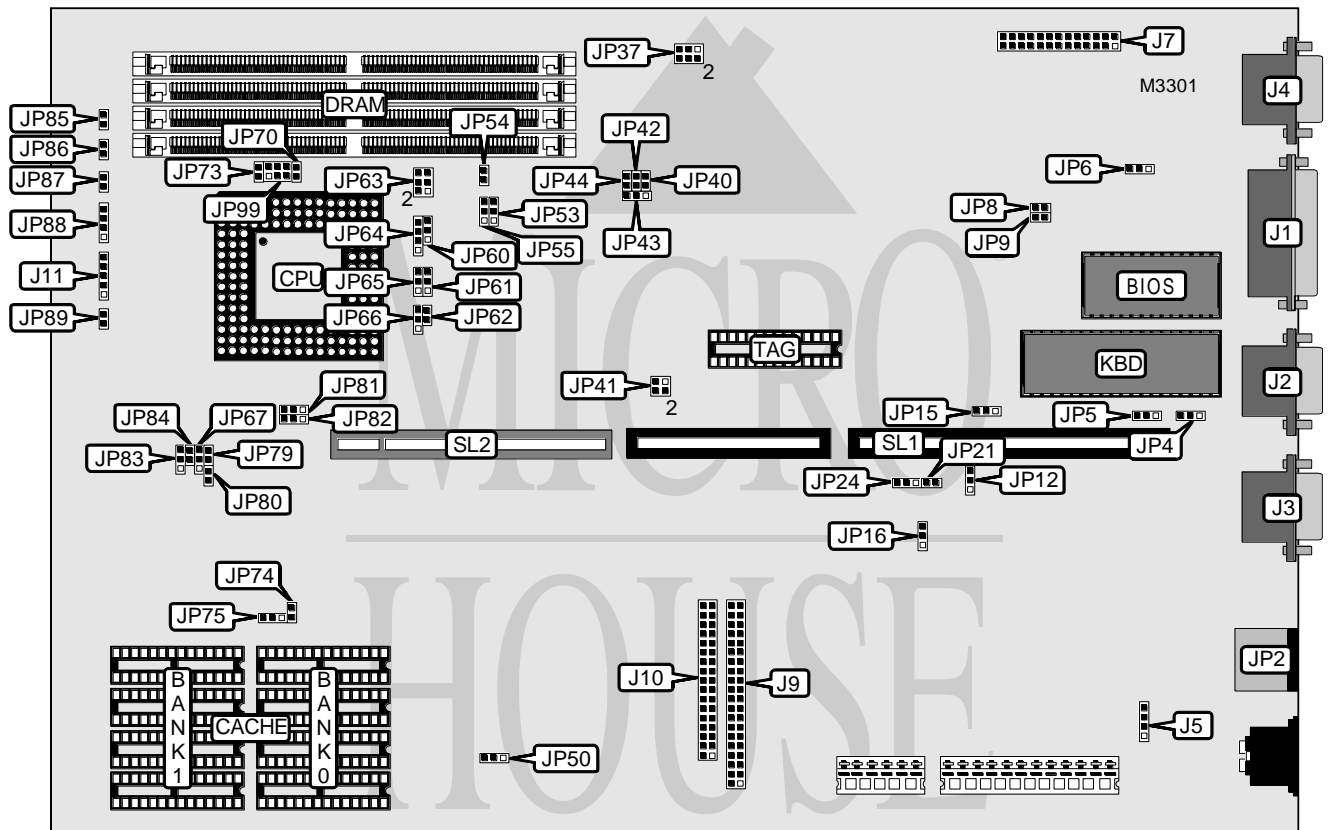


ELITEGROUP COMPUTER SYSTEMS, INC.

AL486 VIO-U3/VIO-I

Processor	CXM6/80486SX/SL80486SX/80486SX2/SL80486SX2/80487SX/ CX486DX/AM486DX/AM486DXL/80486DX/SL8046DX/CX486DX2/ AM486DX2/AM486DXL2/80486DX2/SL80486DX2/8046DX4
Processor Speed	25/33/40/50(internal)/66(internal)/75(internal)/100(internal)MHz
Chip Set	Acer
Maximum Onboard Memory	64MB
Cache	64/128/256KB
BIOS	Phoenix
Dimensions	330mm x 218mm
I/O Options	32-bit VESA local bus slot, floppy drive interface, green PC connector, IDE interface, parallel port, PS/2 mouse port, serial ports (2), feature connector, VGA port, riser slot, modem ring in connector
NPU Options	None



Continued on next page . . .

ELITEGROUP COMPUTER SYSTEMS, INC.
AL486 VIO-U3/VIO-I

... continued from previous page

CONNECTIONS			
Function	Label	Function	Label
Parallel port	J1	Modem ring in connector	JP8
Serial port 2	J2	Green PC connector	JP9
Serial port 1	J3	Turbo LED	JP85
VGA port	J4	Turbo switch	JP86
External battery	J5	Reset switch	JP87
Feature connector	J7	Speaker	JP88
IDE interface	J9	IDE interface LED	JP89
Floppy drive interface	J10	Riser slot	SL1
Power LED & keylock	J11	32-bit VESA local bus slot	SL2
PS/2 mouse port	JP2		

USER CONFIGURABLE SETTINGS		
Setting	Label	Position
BIOS type select EPROM	JP4	Open
Flash BIOS voltage select 12v	JP4	Pins 1 & 2 closed
Flash BIOS voltage select 5v	JP4	Pins 2 & 3 closed
Monitor type select normal	JP5	Pins 1 & 2 closed
Monitor type select CGA	JP5	Pins 2 & 3 closed
On board VGA enabled	JP6	Pins 1 & 2 closed
On board VGA disabled	JP6	Pins 2 & 3 closed
On board I/O enabled	JP12	Pins 1 & 2 closed
On board I/O disabled	JP12	Pins 2 & 3 closed
EPP & ECP enabled	JP21	Closed
EPP & ECP disabled	JP21	Open
Parallel port IRQ select IRQ7	JP24	Pins 1 & 2 closed
Parallel port IRQ select IRQ5	JP24	Pins 2 & 3 closed
IDE interface enabled	JP50	Pins 1 & 2 closed
IDE interface disabled	JP50	Pins 2 & 3 closed
í Factory configured - do not alter	JP76	Open
í Factory configured - do not alter	JP77	Open
í Factory configured - do not alter	JP99	N/A

Note: The location of JP76 & JP77 are unidentified.

Continued on next page...

ELITEGROUP COMPUTER SYSTEMS, INC.

AL486 VIO-U3/VIO-I

... continued from previous page

DRAM				
Size	Bank 0	Bank 1	Bank 2	Bank 3
1MB	(1) 256K x 36	None	None	None
2MB	(1) 256K x 36	(1) 256K x 36	None	None
3MB	(1) 256K x 36	(1) 256K x 36	(1) 256K x 36	None
4MB	(1) 1M x 36	None	None	None
4MB	(1) 512K x 36	(1) 256K x 36	(1) 256K x 36	None
4MB	(1) 256K x 36	(1) 256K x 36	(1) 256K x 36	(1) 256K x 36
5MB	(1) 1M x 36	(1) 256K x 36	None	None
5MB	(1) 256K x 36	(1) 1M x 36	None	None
6MB	(1) 1M x 36	(1) 256K x 36	(1) 256K x 36	None
7MB	(1) 1M x 36	(1) 256K x 36	(1) 256K x 36	(1) 256K x 36
8MB	(1) 1M x 36	(1) 1M x 36	None	None
9MB	(1) 256K x 36	(1) 1M x 36	(1) 1M x 36	None
12MB	(1) 1M x 36	(1) 1M x 36	(1) 1M x 36	None
13MB	(1) 256K x 36	(1) 1M x 36	(1) 1M x 36	(1) 1M x 36
16MB	(1) 4M x 36	None	None	None
16MB	(1) 1M x 36	(1) 1M x 36	(1) 1M x 36	(1) 1M x 36
17MB	(1) 4M x 36	(1) 256K x 36	None	None
17MB	(1) 256K x 36	(1) 4M x 36	None	None
18MB	(1) 4M x 36	(1) 256K x 36	(1) 256K x 36	None
19MB	(1) 4M x 36	(1) 256K x 36	(1) 256K x 36	(1) 256K x 36
20MB	(1) 4M x 36	(1) 1M x 36	None	None
20MB	(1) 1M x 36	(1) 4M x 36	None	None
24MB	(1) 4M x 36	(1) 1M x 36	(1) 1M x 36	None
28MB	(1) 4M x 36	(1) 1M x 36	(1) 1M x 36	(1) 1M x 36
32MB	(1) 4M x 36	(1) 4M x 36	None	None
33MB	(1) 256K x 36	(1) 4M x 36	(1) 4M x 36	None
36MB	(1) 1M x 36	(1) 4M x 36	(1) 4M x 36	None
49MB	(1) 256K x 36	(1) 4M x 36	(1) 4M x 36	(1) 4M x 36
52MB	(1) 1M x 36	(1) 4M x 36	(1) 4M x 36	(1) 4M x 36
64MB	(1) 4M x 36	(1) 4M x 36	(1) 4M x 36	(1) 4M x 36

Note: The orientation of the banks is unidentified.

CACHE SIZE			
Size	Bank 0	Bank 1	TAG
64KB	(4) 8K x 8	(4) 8K x 8	(1) 8K x 8
128KB	(4) 32K x 8	None	(1) 8K x 8
256KB	(4) 32K x 8	(4) 32K x 8	(1) 32K x 8

CACHE JUMPER			
Size	JP41	JP74	JP75
64KB	Open	Open	Pins 1 & 2 closed
128KB	Pins 1 & 2 closed	Closed	Pins 2 & 3 closed
256KB	Pins 1 & 2, 3 & 4 closed	Closed	Pins 1 & 2 closed

Continued on next page. . .

ELITEGROUP COMPUTER SYSTEMS, INC.
AL486 VIO-U3/VIO-1

... continued from previous page

CPU TYPE					
Setting	JP54	JP60	JP61	JP62	JP63
CXM6	Closed	Open	1 & 2	Open	3 & 4
80486SX	Open	Open	2 & 3	Open	Open
SL80486SX	Closed	Open	1 & 2	Closed	1 & 2
80486SX2	Open	Open	2 & 3	Open	Open
SL80486SX2	Closed	Open	1 & 2	Closed	1 & 2
80487SX	Open	1 & 2	2 & 3	Open	Open
CX486DX	Closed	2 & 3	1 & 2	Open	3 & 4
AM486DX	Open	2 & 3	2 & 3	Open	Open
AM486DXL	Closed	2 & 3	2 & 3	Closed	5 & 6
80486DX	Open	2 & 3	2 & 3	Open	Open
SL80486DX	Closed	2 & 3	1 & 2	Closed	1 & 2
CX486DX2	Closed	2 & 3	1 & 2	Open	3 & 4
AM486DX2	Open	2 & 3	2 & 3	Open	Open
AM486DXL2	Closed	2 & 3	2 & 3	Closed	5 & 6
80486DX2	Open	2 & 3	2 & 3	Open	Open
SL80486DX2	Closed	2 & 3	1 & 2	Closed	1 & 2
80486DX4	Closed	2 & 3	1 & 2	Closed	1 & 2

Note: Pins designated should be in the closed position.

CPU TYPE (CON'T)				
Setting	JP64	JP66	JP70	JP73
CXM6	2 & 3	1 & 2	Open	3 & 4
80486SX	2 & 3	1 & 2	Open	Open
SL80486SX	2 & 3	1 & 2	Open	1 & 2
80486SX2	2 & 3	1 & 2	Open	Open
SL80486SX2	2 & 3	1 & 2	Open	1 & 2
80487SX	1 & 2, 3 & 4	1 & 2	Open	Open
CX486DX	1 & 2, 3 & 4	1 & 2	Open	3 & 4
AM486DX	1 & 2, 3 & 4	1 & 2	Open	Open
AM486DXL	1 & 2, 3 & 4	1 & 2	Open	5 & 6
80486DX	1 & 2, 3 & 4	1 & 2	Open	Open
SL80486DX	1 & 2, 3 & 4	1 & 2	Open	1 & 2
CX486DX2	1 & 2, 3 & 4	1 & 2	Closed	3 & 4
AM486DX2	1 & 2, 3 & 4	1 & 2	Open	Open
AM486DXL2	1 & 2, 3 & 4	1 & 2	Open	5 & 6
80486DX2	1 & 2, 3 & 4	1 & 2	Open	Open
SL80486DX2	1 & 2, 3 & 4	1 & 2	Open	1 & 2
80486DX4	1 & 2, 3 & 4	1 & 2	Open	1 & 2

Note: Pins designated should be in the closed position.

Continued on next page...

ELITEGROUP COMPUTER SYSTEMS, INC.

AL486 VIO-U3/VIO-I

... continued from previous page

CPU TYPE			
Setting	JP40	JP42	JP44
CX486M6	Closed	Open	Closed
CX486M7	Open	Open	Closed
AMD	Open	Open	Open
Intel	Open	Open	Open

CPU TYPE		
Setting	JP65	JP82
CX486M6/M7	Pins 2 & 3 closed	Pins 2 & 3 closed
AMD	Open	Pins 1 & 2 closed
Intel	Open	Open

CPU TYPE	
Setting	JP83
All CPU types	Pins 1 & 2 closed
80486DX4 only	Pins 2 & 3 closed

CPU TYPE (80486DX4 ONLY)	
Setting	JP81
2x	Pins 2 & 3 closed
3x	Open

CPU SPEED				
Setting	JP37	JP43	JP53	JP55
25MHz	Pins 1 & 2, 5 & 6 closed	Pins 1 & 2 closed	Pins 1 & 2 closed	Pins 1 & 2 closed
33MHz	Pins 3 & 4, 5 & 6 closed	Pins 1 & 2 closed	Pins 1 & 2 closed	Pins 1 & 2 closed
40MHz	Pins 1 & 2, 3 & 4 closed	Pins 2 & 3 closed	Pins 2 & 3 closed	Pins 2 & 3 closed
50iMHz	Pins 1 & 2, 5 & 6 closed	Pins 1 & 2 closed	Pins 1 & 2 closed	Pins 1 & 2 closed
66iMHz	Pins 3 & 4, 5 & 6 closed	Pins 1 & 2 closed	Pins 1 & 2 closed	Pins 1 & 2 closed
75iMHz	Pins 1 & 2, 5 & 6 closed	Pins 1 & 2 closed	Pins 1 & 2 closed	Pins 1 & 2 closed
100iMHz	Pins 3 & 4, 5 & 6 closed	Pins 1 & 2 closed	Pins 1 & 2 closed	Pins 1 & 2 closed

CPU VOLTAGE				
Setting	JP67	JP79	JP80	JP84
3.3v	Pins 2 & 3 closed	Open	Open	Closed
3.45v	Pins 2 & 3 closed	Closed	Open	Open
5v	Pins 1 & 2 closed	Open	Closed	Open

DMA CHANNEL		
Setting	JP15	JP16
DMA1	Pins 2 & 3 closed	Pins 1 & 2 closed
DMA3	Pins 1 & 2 closed	Pins 2 & 3 closed