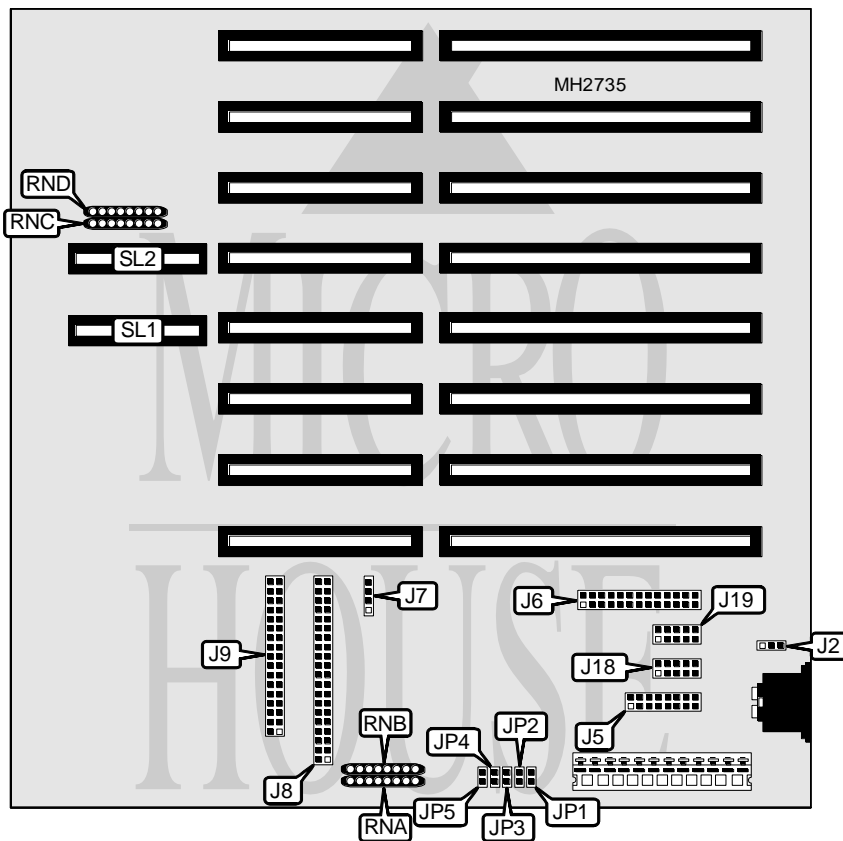


# TMC RESEARCH COOPERATION E B U S 8 A

<b>Processor</b>	80286/80386DX/80486SX/80486DX/80486DX2/80486DX4/Pentium (depends on CPU card installed)
<b>Processor Speed</b>	8/10/12/16/20/25/33/40/50(internal)/50/60/66(internal)/66/75(internal)/75/90/100(internal)/100MHz (depends on CPU card installed)
<b>Chip Set</b>	Unidentified
<b>Max. Onboard DRAM</b>	None
<b>Cache</b>	None
<b>BIOS</b>	None
<b>Dimensions</b>	220mm x 220mm
<b>I/O Options</b>	CPU expansion slots (2), floppy drive interface, game port, IDE interface, parallel port, serial ports (2)
<b>NPU Options</b>	8087/80287/80387SX/CX487SLC/80387DX/CX487DLC (depends on CPU card installed)



CONNECTIONS			
Purpose	Location	Purpose	Location
Power LED & keylock	J2	Floppy drive interface	J9
Game port	J5	Serial port 1	J18
Parallel port	J6	Serial port 2	J19
IDE interface LED	J7	CPU expansion slots	SL1 - SL2
IDE interface	J8		

Continued on next page. . .

# TMC RESEARCH COOPERATION

## E B U S 8 A

... continued from previous page

USER CONFIGURABLE SETTINGS		
Function	Jumper	Position
í Game port enabled	JP1	Closed
Game port disabled	JP1	Open
í Floppy drive interface enabled	JP2	Closed
Floppy drive interface disabled	JP2	Open

IDE CONFIGURATION			
Setting	JP3	JP4	JP5
Enabled	Closed	Closed	Closed
Disabled	Open	Open	Open

LPT/IRQ CONFIGURATION	
LPT/IRQ	RNA
LPT1/IRQ7	pins 2 & 3, 4 & 5 closed
LPT2/IRQ5	pins 1 & 2, 3 & 4 closed
Disabled	pins 4 & 5, 6 & 7 closed

SERIAL PORT CONFIGURATION		
J18 (COM1)	J19 (COM2)	RNB
Enabled	Enabled	pins 1 & 2, 3 & 4 closed
Enabled	Disabled	pins 2 & 3, 4 & 5 closed
Disabled	Enabled	pins 3 & 4, 5 & 6 closed
Disabled	Disabled	pins 4 & 5, 6 & 7 closed

ISA/EISA BUS CONFIGURATION		
Bus type	RNC	RND
ISA	Installed	Not installed
EISA	Not insalled	Installed