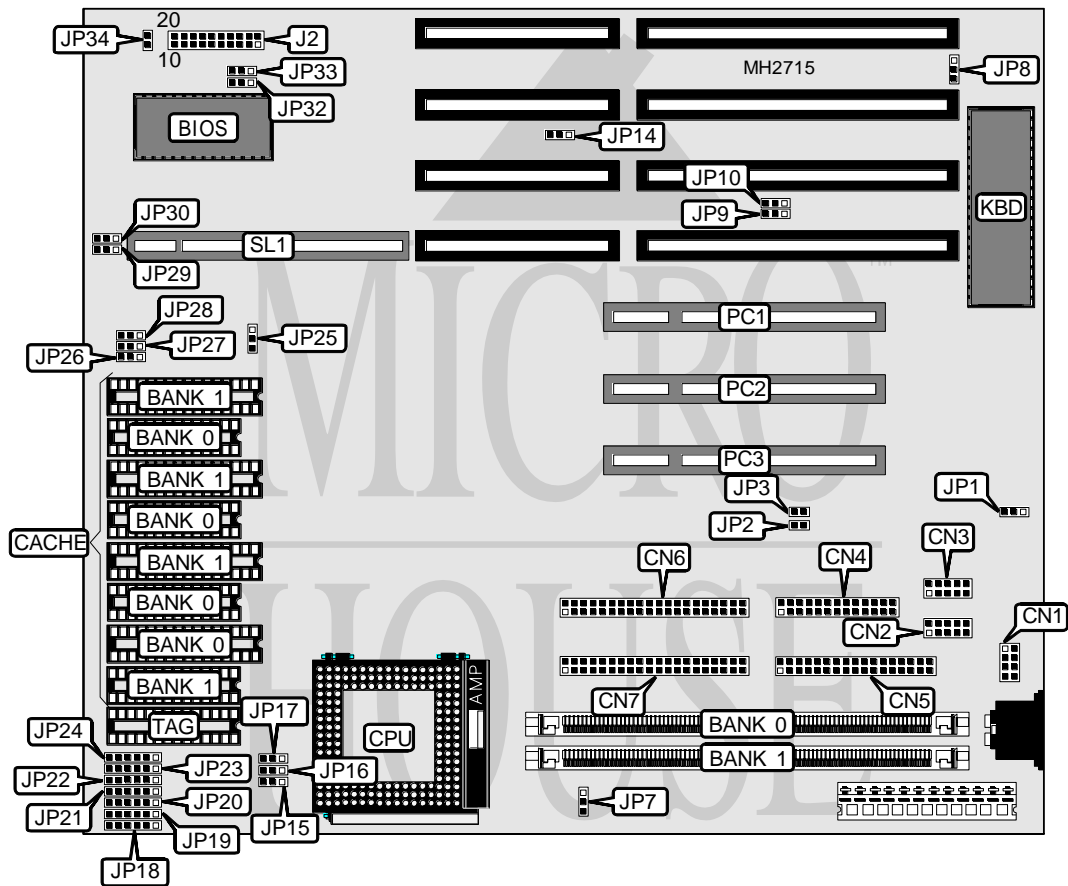


ASUS COMPUTER INTERNATIONAL PVI-486SP3

Processor	CX486S/AM486SX/AM486SXL/80486SX/CX486S2/AM486SX2/AM486SXL/ 80486SX2/80487SX/CX486DX/AM486DX/AM486DXL/U5S/80486DX/ AM486DX2/AM486DXL2/CX486DX2V/CX486DX2/AM486DX2V8B/AM486DXV8T/80486DX2 /CX486DX4/AM486DX4/AM486DXL4/AM486DX4V8B/80486DX4/ P24D/P24CT/Pentium Overdrive
Processor Speed	25/33/40/50(internal)/50/66(internal)/75(internal)/100(internal)MHz
Chip Set	Unidentified
Max. Onboard DRAM	128MB
Cache	128/256/512KB
BIOS	Award
Dimensions	254mm x 218mm
I/O Options	32-bit VESA local bus slot, 32-bit PCI slots (3), floppy drive interface, green PC connector, IDE interfaces (2), parallel port, PS/2 mouse interface, serial ports (2)
NPU Options	None



Continued on next page. . .

ASUS COMPUTER INTERNATIONAL

PVI-486SP3

... continued from previous page

CONNECTIONS			
Purpose	Location	Purpose	Location
PS/2 mouse interface	CN1	Turbo LED	J2 pins 12 - 13
Serial port 1	CN2	Green PC connector	J2 pins 14 - 15
Serial port 2	CN3	Turbo switch	J2 pins 16 - 17
Parallel port	CN4	Reset switch	J2 pins 19 - 20
Floppy drive interface	CN5	Green PC connector	JP2
IDE interface (primary)	CN6	Green PC connector	JP3
IDE interface (secondary)	CN7	IDE interface LED	JP34
Power LED & keylock	J2 pins 1 - 5	32-bit PCI slots	PC1 - PC3
Speaker	J2 pins 7 - 10	32-bit VESA local bus slot	SL1

USER CONFIGURABLE SETTINGS		
Function	Jumper	Position
í On board I/O enabled	JP1	pins 2 & 3 closed
On board I/O disabled	JP1	pins 1 & 2 closed
í Monitor type select monochrome/VGA	JP8	pins 1 & 2 closed
Monitor type select CGA	JP8	pins 2 & 3 closed
í PS/2 mouse enabled	JP14	pins 2 & 3 closed
PS/2 mouse disabled	JP14	pins 1 & 2 closed

DRAM CONFIGURATION		
Size	Bank 0	Bank 1
1MB	(1) 256K x 36	NONE
2MB	(1) 256K x 36	(1) 256K x 36
2MB	(1) 512K x 36	NONE
3MB	(1) 256K x 36	(1) 512K x 36
3MB	(1) 512K x 36	(1) 256K x 36
4MB	(1) 512K x 36	(1) 512K x 36
4MB	(1) 1M x 36	NONE
5MB	(1) 256K x 36	(1) 1M x 36
5MB	(1) 1M x 36	(1) 256K x 36
6MB	(1) 512K x 36	(1) 1M x 36
6MB	(1) 1M x 36	(1) 512K x 36
8MB	(1) 1M x 36	(1) 1M x 36
8MB	(1) 2M x 36	NONE
9MB	(1) 256K x 36	(1) 2M x 36
9MB	(1) 2M x 36	(1) 256K x 36
10MB	(1) 512K x 36	(1) 2M x 36
10MB	(1) 2M x 36	(1) 512K x 36
12MB	(1) 1M x 36	(1) 2M x 36
12MB	(1) 2M x 36	(1) 1M x 36
16MB	(1) 2M x 36	(1) 2M x 36
16MB	(1) 4M x 36	NONE
17MB	(1) 256K x 36	(1) 4M x 36
17MB	(1) 4M x 36	(1) 256K x 36

Continued on next page...

ASUS COMPUTER INTERNATIONAL

PVI-486SP3

... continued from previous page

DRAM CONFIGURATION (CON'T)		
Size	Bank 0	Bank 1
18MB	(1) 512K x 36	(1) 4M x 36
18MB	(1) 4M x 36	(1) 512K x 36
20MB	(1) 1M x 36	(1) 4M x 36
20MB	(1) 4M x 36	(1) 1M x 36
24MB	(1) 2M x 36	(1) 4M x 36
24MB	(1) 4M x 36	(1) 2M x 36
32MB	(1) 4M x 36	(1) 4M x 36
32MB	(1) 8M x 36	NONE
33MB	(1) 256K x 36	(1) 8M x 36
33MB	(1) 8M x 36	(1) 256K x 36
34MB	(1) 512K x 36	(1) 8M x 36
34MB	(1) 8M x 36	(1) 512K x 36
36MB	(1) 1M x 36	(1) 8M x 36
36MB	(1) 8M x 36	(1) 1M x 36
40MB	(1) 2M x 36	(1) 8M x 36
40MB	(1) 8M x 36	(1) 2M x 36
48MB	(1) 4M x 36	(1) 8M x 36
48MB	(1) 8M x 36	(1) 4M x 36
64MB	(1) 16M x 36	NONE
64MB	(1) 8M x 36	(1) 8M x 36
65MB	(1) 256K x 36	(1) 16M x 36
65MB	(1) 16M x 36	(1) 256K x 36
66MB	(1) 512K x 36	(1) 16M x 36
66MB	(1) 16M x 36	(1) 512K x 36
68MB	(1) 1M x 36	(1) 16M x 36
68MB	(1) 16M x 36	(1) 1M x 36
72MB	(1) 2M x 36	(1) 16M x 36
72MB	(1) 16M x 36	(1) 2M x 36
80MB	(1) 4M x 36	(1) 16M x 36
80MB	(1) 16M x 36	(1) 4M x 36
96MB	(1) 16M x 36	(1) 8M x 36
96MB	(1) 8M x 36	(1) 16M x 36
128MB	(1) 16M x 36	(1) 16M x 36

CACHE CONFIGURATION			
Size	Bank 0	Bank 1	TAG
128KB	(4) 32K x 8	NONE	(1) 8K x 8
256KB	(4) 32K x 8	(4) 32K x 8	(1) 32K x 8
256KB	(4) 64K x 8	NONE	(1) 32K x 8
512KB	(4) 128K x 8	NONE	(1) 32K x 8

Continued on next page...

ASUS COMPUTER INTERNATIONAL

PVI-486SP3

... continued from previous page

CACHE JUMPER CONFIGURATION			
Size	JP15	JP16	JP17
128KB	pins 1 & 2 closed	pins 2 & 3 closed	pins 2 & 3 closed
256KB	pins 1 & 2 closed	pins 1 & 2 closed	pins 1 & 2 closed
256KB	pins 1 & 2 closed	pins 2 & 3 closed	pins 1 & 2 closed
512KB	pins 2 & 3 closed	pins 2 & 3 closed	pins 1 & 2 closed

CPU TYPE CONFIGURATION			
Type	JP18	JP19	JP20
CX486S	2 & 3, 5 & 6	2 & 3, 5 & 6	2 & 3
AM486SX	5 & 6	4 & 5	4 & 5
AM486SXL	5 & 6	4 & 5	4 & 5
80486SX	1 & 2, 5 & 6	1 & 2, 5 & 6	1 & 2, 5 & 6
CX486S2	2 & 3, 5 & 6	2 & 3, 5 & 6	2 & 3
AM486SX2	5 & 6	4 & 5	4 & 5
AM486SXL2	5 & 6	4 & 5	4 & 5
80486SX2	1 & 2, 5 & 6	1 & 2, 5 & 6	1 & 2, 5 & 6
80487SX	1 & 2, 5 & 6	1 & 2, 5 & 6	1 & 2, 5 & 6
CX486DX	2 & 3, 5 & 6	2 & 3, 5 & 6	2 & 3
AM486DX	5 & 6	4 & 5	4 & 5
AM486DXL	5 & 6	4 & 5	4 & 5
U5S	5 & 6	4 & 5	4 & 5
80486DX	1 & 2, 5 & 6	1 & 2, 5 & 6	1 & 2, 5 & 6
AM486DX2	5 & 6	4 & 5	4 & 5
AM486DXL2	5 & 6	4 & 5	4 & 5
CX486DX2V	2 & 3, 5 & 6	2 & 3, 5 & 6	2 & 3
CX486DX2	2 & 3, 5 & 6	2 & 3, 5 & 6	2 & 3
AM486DX2V8B	1 & 2, 4 & 5	1 & 2, 5 & 6	1 & 2, 5 & 6
AM486DX2V8T	1 & 2, 5 & 6	4 & 5	4 & 5
80486DX2	1 & 2, 5 & 6	1 & 2, 5 & 6	1 & 2, 5 & 6
CX486DX4	1 & 2, 4 & 5	1 & 2, 5 & 6	1 & 2, 5 & 6
AM486DX4	1 & 2, 5 & 6	4 & 5	4 & 5
AM486DXL4	1 & 2, 5 & 6	4 & 5	4 & 5
AM486DX4V8B	1 & 2, 4 & 5	1 & 2, 5 & 6	1 & 2, 5 & 6
80486DX4	1 & 2, 5 & 6	1 & 2, 5 & 6	1 & 2, 5 & 6
P24D	4 & 5	1 & 2, 5 & 6	1 & 2, 5 & 6
P24CT	1 & 2, 4 & 5	1 & 2, 5 & 6	5 & 6
Pentium Overdrive	1 & 2, 4 & 5	1 & 2, 5 & 6	5 & 6

Note: Pins designated should be in the closed position.

Continued on next page...

ASUS COMPUTER INTERNATIONAL

PVI-486SP3

... continued from previous page

CPU TYPE CONFIGURATION (CON'T)				
Type	JP21	JP22	JP23	JP24
CX486S	2 & 3	2 & 3	Open	2 & 3
AM486SX	Open	4 & 5	5 & 6	2 & 3
AM486SXL	Open	4 & 5	5 & 6	2 & 3
80486SX	1 & 2	Open	Open	2 & 3
CX486S2	2 & 3	2 & 3	Open	2 & 3
AM486SX2	Open	4 & 5	5 & 6	2 & 3
AM486SXL2	Open	4 & 5	5 & 6	2 & 3
80486SX2	1 & 2	Open	Open	2 & 3
80487SX	1 & 2	1 & 2	Open	1 & 2
CX486DX	2 & 3	2 & 3	Open	1 & 2
AM486DX	Open	4 & 5	5 & 6	1 & 2
AM486DXL	Open	4 & 5	5 & 6	1 & 2
U5S	Open	4 & 5	5 & 6	2 & 3
80486DX	1 & 2	1 & 2	Open	1 & 2
AM486DX2	Open	4 & 5	5 & 6	1 & 2
AM486DXL2	Open	4 & 5	5 & 6	1 & 2
CX486DX2V	2 & 3	2 & 3	1 & 2	1 & 2
CX486DX2	2 & 3	2 & 3	Open	1 & 2
AM486DX2V8B	1 & 2, 3 & 4, 5 & 6	Open	3 & 4	1 & 2, 4 & 5
AM486DX2V8T	Open	4 & 5	2 & 3, 5 & 6	1 & 2, 4 & 5
80486DX2	1 & 2	1 & 2	Open	1 & 2
CX486DX4	1 & 2, 3 & 4, 5 & 6	Open	Open	1 & 2
AM486DX4	Open	4 & 5	2 & 3, 5 & 6	1 & 2, 4 & 5
AM486DXL4	Open	4 & 5	2 & 3, 5 & 6	1 & 2, 4 & 5
AM486DX4V8B	1 & 2, 3 & 4, 5 & 6	Open	3 & 4	1 & 2, 4 & 5
80486DX4	1 & 2	1 & 2	Open	1 & 2
P24D	1 & 2, 3 & 4, 5 & 6	Open	3 & 4	1 & 2, 4 & 5
P24CT	1 & 2	Open	3 & 4	1 & 2
Pentium Overdrive	1 & 2	Open	3 & 4	1 & 2

Note: Pins designated should be in the closed position.

CPU SPEED CONFIGURATION (VT8228)				
Speed	JP25	JP26	JP27	JP28
25MHz	pins 1 & 2 closed	pins 2 & 3 closed	pins 1 & 2 closed	pins 2 & 3 closed
33MHz	pins 1 & 2 closed	pins 2 & 3 closed	pins 2 & 3 closed	pins 1 & 2 closed
40MHz	pins 1 & 2 closed	pins 1 & 2 closed	pins 1 & 2 closed	pins 2 & 3 closed
50iMHz	pins 1 & 2 closed	pins 2 & 3 closed	pins 1 & 2 closed	pins 2 & 3 closed
50MHz	pins 2 & 3 closed	pins 2 & 3 closed	pins 1 & 2 closed	pins 2 & 3 closed
66iMHz	pins 1 & 2 closed	pins 2 & 3 closed	pins 2 & 3 closed	pins 1 & 2 closed
75iMHz	pins 1 & 2 closed	pins 2 & 3 closed	pins 1 & 2 closed	pins 2 & 3 closed
100iMHz	pins 1 & 2 closed	pins 2 & 3 closed	pins 2 & 3 closed	pins 1 & 2 closed

Continued on next page. . .

ASUS COMPUTER INTERNATIONAL

PVI-486SP3

... continued from previous page

CPU SPEED CONFIGURATION (AV9155)				
Speed	JP25	JP26	JP27	JP28
25MHz	pins 1 & 2 closed	pins 2 & 3 closed	pins 2 & 3 closed	pins 1 & 2 closed
33MHz	pins 1 & 2 closed	pins 1 & 2 closed	pins 2 & 3 closed	pins 1 & 2 closed
40MHz	pins 1 & 2 closed	pins 2 & 3 closed	pins 1 & 2 closed	pins 1 & 2 closed
50iMHz	pins 1 & 2 closed	pins 2 & 3 closed	pins 2 & 3 closed	pins 1 & 2 closed
50MHz	pins 2 & 3 closed	pins 2 & 3 closed	pins 2 & 3 closed	pins 1 & 2 closed
66iMHz	pins 1 & 2 closed	pins 1 & 2 closed	pins 2 & 3 closed	pins 1 & 2 closed
75iMHz	pins 1 & 2 closed	pins 2 & 3 closed	pins 2 & 3 closed	pins 1 & 2 closed
100iMHz	pins 1 & 2 closed	pins 1 & 2 closed	pins 2 & 3 closed	pins 1 & 2 closed

CPU VOLTAGE CONFIGURATION	
Voltage	JP7
3.45v	pins 1 & 2 closed
3.6v	pins 2 & 3 closed

VESA WAIT STATE CONFIGURATION	
Wait states	JP29
0 wait states	pins 1 & 2 closed
1 wait state	pins 2 & 3 closed

BUS SPEED CONFIGURATION	
CPU speed	JP30
<= 33MHz	pins 1 & 2 closed
> 33MHz	pins 2 & 3 closed

BIOS CONFIGURATION		
Setting	JP32	JP33
EPROM	pins 2 & 3 closed	pins 2 & 3 closed
5v	pins 1 & 2 closed	pins 2 & 3 closed
12v	pins 1 & 2 closed	pins 1 & 2 closed

DMA CONFIGURATION		
DMA	JP9	JP10
DMA 1	pins 2 & 3 closed	pins 2 & 3 closed
DMA 3	pins 1 & 2 closed	pins 1 & 2 closed