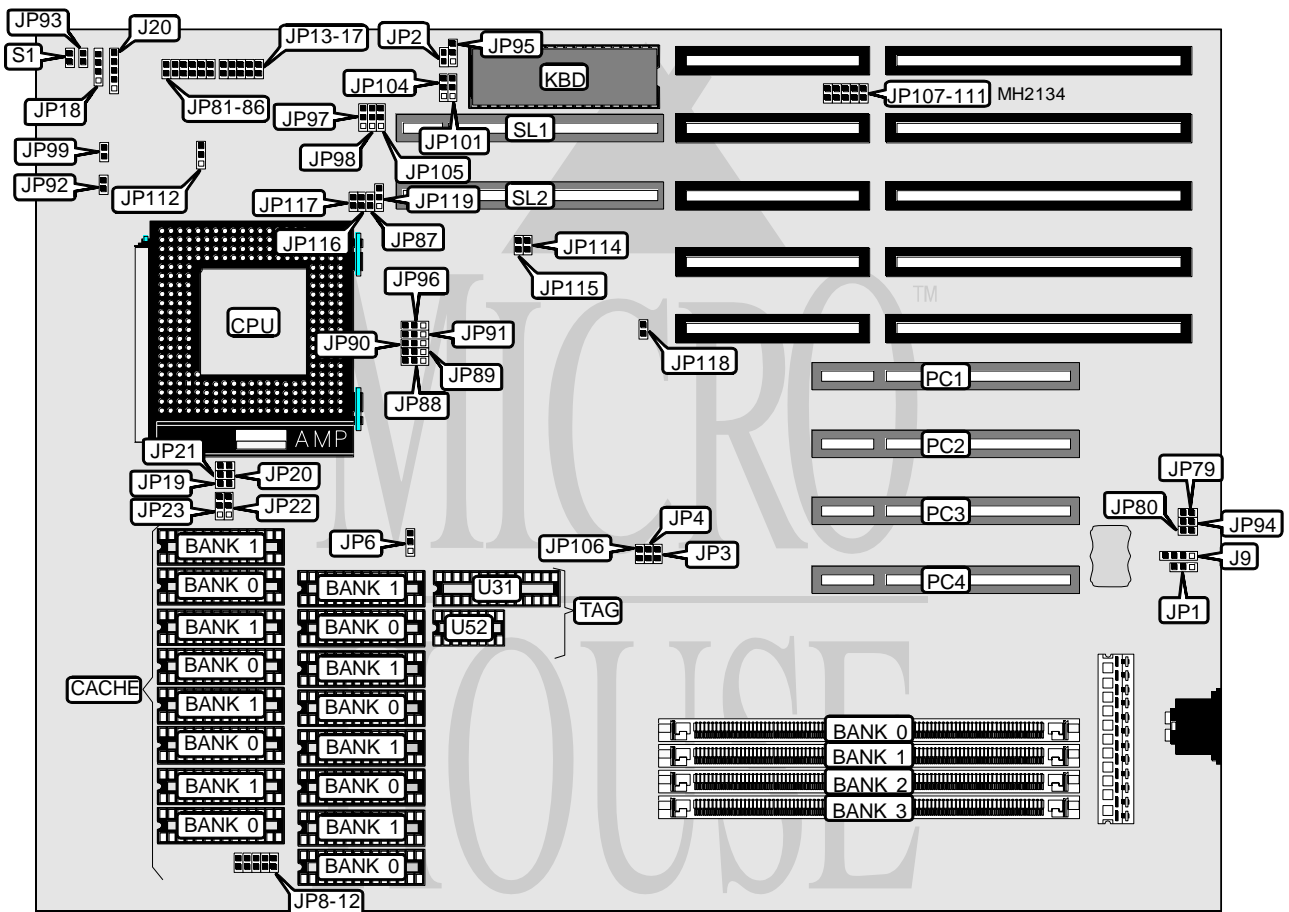


# SUPER MICRO P5VL-PCI

<b>Processor</b>	Pentium
<b>Processor Speed</b>	60/66MHz
<b>Chip Set</b>	OPTI
<b>Max. Onboard DRAM</b>	128MB
<b>Cache</b>	128/256/512KB
<b>BIOS</b>	AMI
<b>Dimensions</b>	330mm x 218mm
<b>I/O Options</b>	32-bit PCI bus slots (4), 32-bit VESA local bus slots (2), green PC connector
<b>NPU Options</b>	None



CONNECTIONS			
Purpose	Location	Purpose	Location
External battery	J9	Green PC connector (power supply)	JP94
Power LED & keylock	J20	Turbo LED	JP99
Speaker	JP18	32-bit PCI bus slots	PC1 - PC4
Green PC connector (peripheral)	JP79	Reset switch	S1
Green PC connector (peripheral)	JP80	32-bit VESA local bus slots	SL1 & SL2
Turbo switch	JP92		

Continued on next page. . .

# SUPER MICRO

## P5VL-PCI

... continued from previous page

USER CONFIGURABLE SETTINGS		
Function	Jumper	Position
í CMOS memory normal operation	JP1	pins 2 & 3 closed
CMOS memory clear	JP1	pins 1 & 2 closed
í Factory configured - do not alter	JP2	Open
í Factory configured - do not alter	JP3	Open
í Factory configured - do not alter	JP4	Closed
í Factory configured - do not alter	JP8	Open
í Factory configured - do not alter	JP9	Closed
í Factory configured - do not alter	JP10	Closed
í Factory configured - do not alter	JP11	Open
í Factory configured - do not alter	JP12	Open
í Factory configured - do not alter	JP13	Open
í Factory configured - do not alter	JP14	Open
í Factory configured - do not alter	JP15	Closed
í Factory configured - do not alter	JP16	Closed
í Factory configured - do not alter	JP17	Closed
í Factory configured - do not alter	JP77	Open
í Factory configured - do not alter	JP81	Open
í Factory configured - do not alter	JP82	Closed
í Factory configured - do not alter	JP83	Closed
í Factory configured - do not alter	JP84	Open
í Factory configured - do not alter	JP85	Closed
í Factory configured - do not alter	JP86	Open
í Factory configured - do not alter	JP87	Open
í Factory configured - do not alter	JP88	pins 1 & 2 closed
í Factory configured - do not alter	JP89	pins 1 & 2 closed
í Factory configured - do not alter	JP90	pins 1 & 2 closed
í Factory configured - do not alter	JP91	pins 2 & 3 closed
í Factory configured - do not alter	JP93	Open
í Factory configured - do not alter	JP95	pins 2 & 3 closed
í Factory configured - do not alter	JP96	pins 2 & 3 closed
í Factory configured - do not alter	JP97	pins 1 & 2 closed
í Factory configured - do not alter	JP98	pins 1 & 2 closed
í Factory configured - do not alter	JP101	pins 1 & 2 closed
í Factory configured - do not alter	JP104	pins 1 & 2 closed
í Factory configured - do not alter	JP105	pins 1 & 2 closed
í Factory configured - do not alter	JP106	Open
í Factory configured - do not alter	JP114	Open
í Factory configured - do not alter	JP115	Open
í Factory configured - do not alter	JP116	Open
í Factory configured - do not alter	JP117	Open
í Factory configured - do not alter	JP118	Open
í Factory configured - do not alter	JP119	pins 2 & 3 closed

Note: The location of JP77 is unidentified.

Continued on next page. . .

# SUPER MICRO

## P5VL-PCI

... continued from previous page

DRAM CONFIGURATION				
Size	Bank 0	Bank 1	Bank 2	Bank 3
2MB	(1) 256K x 36	(1) 256K x 36	NONE	NONE
4MB	(1) 512K x 36	(1) 512K x 36	NONE	NONE
4MB	(1) 256K x 36	(1) 256K x 36	(1) 256K x 36	(1) 256K x 36
6MB	(1) 256K x 36	(1) 256K x 36	(1) 512K x 36	(1) 512K x 36
8MB	(1) 1M x 36	(1) 1M x 36	NONE	NONE
8MB	(1) 512K x 36	(1) 512K x 36	(1) 512K x 36	(1) 512K x 36
10MB	(1) 256K x 36	(1) 256K x 36	(1) 1M x 36	(1) 1M x 36
12MB	(1) 512K x 36	(1) 512K x 36	(1) 1M x 36	(1) 1M x 36
16MB	(1) 2M x 36	(1) 2M x 36	NONE	NONE
16MB	(1) 1M x 36	(1) 1M x 36	(1) 1M x 36	(1) 1M x 36
18MB	(1) 256K x 36	(1) 256K x 36	(1) 2M x 36	(1) 2M x 36
20MB	(1) 512K x 36	(1) 512K x 36	(1) 2M x 36	(1) 2M x 36
24MB	(1) 1M x 36	(1) 1M x 36	(1) 2M x 36	(1) 2M x 36
32MB	(1) 4M x 36	(1) 4M x 36	NONE	NONE
32MB	(1) 2M x 36	(1) 2M x 36	(1) 2M x 36	(1) 2M x 36
34MB	(1) 256K x 36	(1) 256K x 36	(1) 4M x 36	(1) 4M x 36
36MB	(1) 512K x 36	(1) 512K x 36	(1) 4M x 36	(1) 4M x 36
40MB	(1) 1M x 36	(1) 1M x 36	(1) 4M x 36	(1) 4M x 36
48MB	(1) 2M x 36	(1) 2M x 36	(1) 4M x 36	(1) 4M x 36
64MB	(1) 4M x 36	(1) 4M x 36	(1) 4M x 36	(1) 4M x 36
64MB	(1) 8M x 36	(1) 8M x 36	NONE	NONE
66MB	(1) 256K x 36	(1) 256K x 36	(1) 8M x 36	(1) 8M x 36
68MB	(1) 512K x 36	(1) 512K x 36	(1) 8M x 36	(1) 8M x 36
72MB	(1) 1M x 36	(1) 1M x 36	(1) 8M x 36	(1) 8M x 36
80MB	(1) 2M x 36	(1) 2M x 36	(1) 8M x 36	(1) 8M x 36
96MB	(1) 4M x 36	(1) 4M x 36	(1) 8M x 36	(1) 8M x 36
128MB	(1) 8M x 36	(1) 8M x 36	(1) 8M x 36	(1) 8M x 36

CACHE CONFIGURATION				
Size	Bank 0	Bank 1	TAG (U31)	Dirty bit (U52)
128KB	(8) 8K x 8	(8) 8K x 8	(1) 32K x 8	(1) 16K x 1
256KB	(8) 32K x 8	NONE	(1) 32K x 8	(1) 16K x 1
512KB	(8) 32K x 8	(8) 32K x 8	(1) 32K x 8	(1) 16K x 1

CACHE JUMPER CONFIGURATION						
Size	JP6	JP19	JP20	JP21	JP22	JP23
128KB	2 & 3	Closed	Open	Open	2 & 3	2 & 3
256KB	1 & 2	Closed	Closed	Open	1 & 2	1 & 2
512KB	2 & 3	Closed	Closed	Closed	2 & 3	2 & 3

Note: Pins designated should be in the closed position.

Continued on next page. . .

# UNIDENTIFIED

## P5VL-PCI

... continued from previous page

CPU SPEED CONFIGURATION	
Speed	JP112
60MHz	pins 1 & 2 closed
66MHz	pins 2 & 3 closed

INTERRUPT CONFIGURATION			
IRQ	JP107	JP108	JP109
IRQ3	Closed	Open	Open
IRQ4	Open	Closed	Open
IRQ9	Open	Open	Closed

Note: Only one jumper at a time can be closed in jumper block JP107-111.

VIDEO CARD CONFIGURATION		
Video card	JP110	JP111
ISA	Closed	Open
Local bus	Open	Closed

Note: Only one jumper at a time can be closed in jumper block JP107-111.