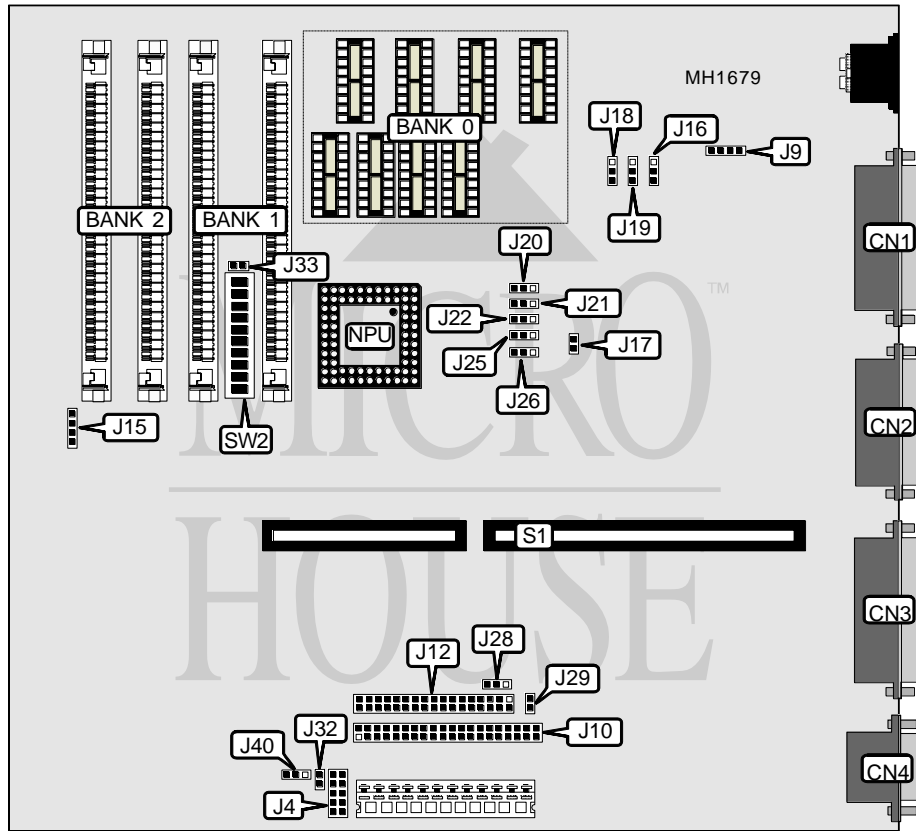


# LEADING TECHNOLOGY

## 6500SX

<b>Processor</b>	80386SX (exact location unknown)
<b>Processor Speed</b>	16/20/25MHz
<b>Chip Set</b>	SIS
<b>Max. Onboard DRAM</b>	4MB
<b>Cache</b>	None
<b>BIOS</b>	AMI
<b>Dimensions</b>	254mm x 220mm
<b>I/O Options</b>	Floppy drive interface, IDE interface, Game port, parallel port, serial ports (2)
<b>NPU Options</b>	80387SX



CONNECTIONS			
Purpose	Location	Purpose	Location
Parallel port	CN1	IDE interface	J10
Joystick port	CN2	Floppy drive interface	J12
Serial port 2	CN3	Speaker	J15
Serial port 1	CN4	IDE interface LED	J32
Front panel connector	J4	Riser Card	S1
External battery	J9		

Continued on next page . . .

# LEADING TECHNOLOGY

## 6500SX

... continued from previous page

USER CONFIGURABLE SETTINGS		
Function	Jumper/Switch	Position
í Joystick port enabled	J17	Closed
Joystick port disabled	J17	Open
í Floppy drive interface enabled	J28	Open
Floppy drive interface disabled	J28	Closed
í IDE interface enabled	J29	Closed
IDE interface disabled	J29	Open
í Parity enabled	J33	Closed
Parity disabled	J33	Open
í NPU disabled	J40	pins 1 & 2 closed
NPU enabled	J40	pins 2 & 3 closed
íFactory configured - do not alter	SW2/5	Off
íFactory configured - do not alter	SW2/6	On
íFactory configured - do not alter	SW2/7	Off

DRAM CONFIGURATION			
Size	Bank 0	Bank 1	Bank 2
1MB	(8) 44256	NONE	NONE
1.5MB	(8) 44256	(2) 256K x 9	NONE
2MB	(8) 44256	(2) 256K x 9	(2) 256K x 9
2MB	NONE	(2) 1M x 9	NONE
4MB	NONE	(2) 1M x 9	(2) 1M x 9

DRAM SWITCH CONFIGURATION							
Size	SW2/1	SW2/2	SW2/3	SW2/4	SW2/8	SW2/9	SW2/10
1MB	On	On	On	On	On	On	Off
1.5MB	On	On	On	On	On	Off	On
2MB	On	On	On	On	On	Off	Off
2MB	On	Off	Off	On	On	On	On
4MB	On	Off	Off	Off	On	On	Off

SERIAL PORT CONFIGURATION					
Port 1 (CN4)	Port 2 (CN2)	J20	J22	J25	J26
í COM1	í COM2	2 & 3	1 & 2	Open	Open
COM1	COM3	2 & 3	Open	1 & 2	Open
COM1	COM4	2 & 3	Open	Open	1 & 2
COM2	COM1	1 & 2	2 & 3	Open	Open
COM2	COM3	Open	2 & 3	1 & 2	Open
COM2	COM4	Open	2 & 3	Open	1 & 2
COM3	COM1	1 & 2	Open	2 & 3	Open
COM3	COM2	Open	1 & 2	2 & 3	Open
COM3	COM4	Open	Open	2 & 3	1 & 2
COM4	COM1	2 & 3	Open	Open	1 & 2
COM4	COM2	Open	1 & 2	Open	2 & 3
COM4	COM3	Open	Open	1 & 2	2 & 3

Note: Pins designated should be in the closed position.

Continued on next page ...

# LEADING TECHNOLOGY

## 6500SX

... continued from previous page

SERIAL PORT IRQ CONFIGURATION			
Port 1 (CN1)	Port 2 (CN2)	J18	J19
í IRQ4	í IRQ3	pins 2 & 3 closed	pins 1 & 2 closed
IRQ3	IRQ4	pins 1 & 2 closed	pins 2 & 3 closed

PARALLEL PORT CONFIGURATION			
LPT	IRQ	J16	J21
í 1	7	pins 2 & 3 closed	pins 2 & 3 closed
1	5	pins 2 & 3 closed	pins 1 & 2 closed
2	7	pins 1 & 2 closed	pins 2 & 3 closed
2	5	pins 1 & 2 closed	pins 1 & 2 closed