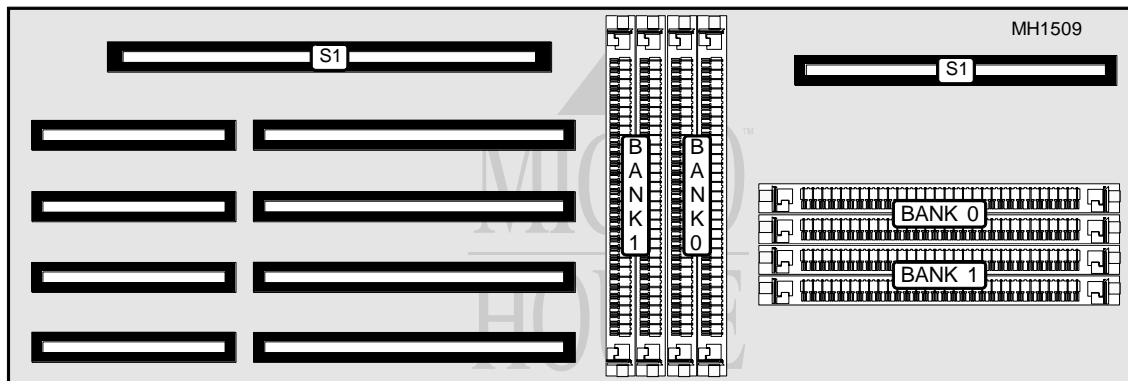


# WELLS AMERICAN CORPORATION COMPUSTAR II (VER. 2)

**Processor** 80386DX  
**Processor Speed** 20/25/33MHz  
**Chip Set** C & T  
**Max. Onboard DRAM** 8MB  
**SRAM Cache** 32K  
**BIOS** Award/Wells American  
**Dimensions** 330mm x 127mm  
**I/O Options** Processor Interface Slot  
**NPU Options** 80387DX



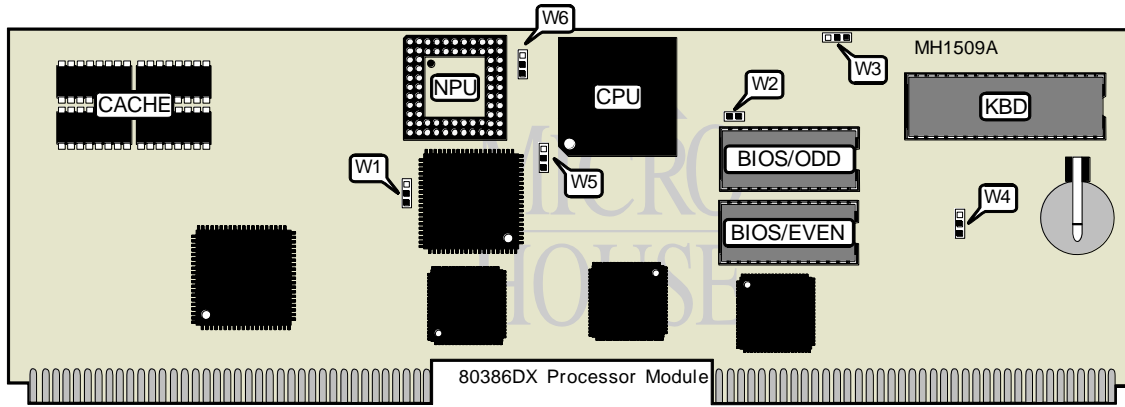
CONNECTIONS	
Purpose	Location
Processor Interface Slot	S1

DRAM CONFIGURATION		
Size	Bank 0	Bank 1
1MB	(4) 256K x 9	NONE
2MB	(4) 256K x 9	(4) 256K x 9
4MB	(4) 1M x 9	NONE
8MB	(4) 1M x 9	(4) 1M x 9

Continued on next page . . .

# WELLS AMERICAN CORPORATION COMPUSTAR II (VER. 2)

... continued from previous page



### USER CONFIGURABLE SETTINGS

Function	Jumper/Switch	Position
í Factory configured do not alter	W1	pins 2 & 3 closed
í NPU disabled	W2	closed
NPU enabled	W2	open
í Monitor type select color	W3	pins 2 & 3 closed
Monitor type select monochrome	W3	pins 1 & 2 closed
í Mouse enabled	W4	pins 1 & 2 closed
Mouse disabled	W4	pins 2 & 3 closed
í Factory configured do not alter	W5	pins 2 & 3 closed
í Factory configured do not alter	W6	pins 2 & 3 closed