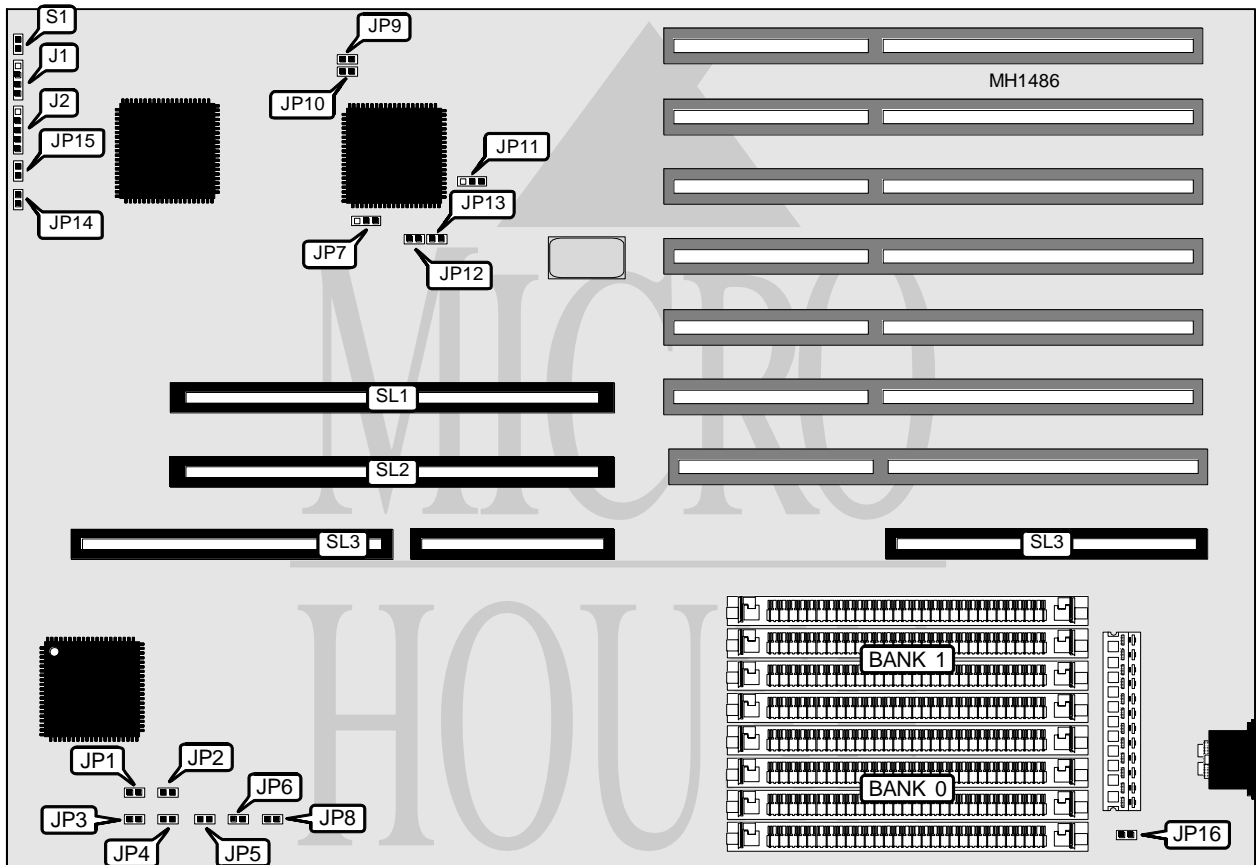


WYSE TECHNOLOGY, INC.

WYSE DECISION 486SE

Processor	80486SX/80487SX/80486DX/ODP486SX/80486DX2
Processor Speed	16/20/25/33/50(Internal)/50/66(Internal)
Chip Set	OPTI
Max. Onboard DRAM	128MB
SRAM Cache	128/256/512KB
BIOS	Phoenix
Dimensions	330mm x 218mm
I/O Options	32-bit local bus slots (2), CPU processor slot
NPU Options	4167



CONNECTIONS			
Purpose	Location	Purpose	Location
Speaker	J1	32-bit local bus slot	SL1
Power LED & keylock	J2	32-bit local bus slot	SL2
Reset switch	S1	CPU processor slot	SL3

Continued on next page . . .

WYSE TECHNOLOGY, INC.
WYSE DECISION 486SE

... continued from previous page

USER CONFIGURABLE SETTINGS SYSTEM BOARD		
Function	Jumper	Position
í Factory configured - do not alter	JP1	closed
í Factory configured - do not alter	JP2	closed
í Factory configured - do not alter	JP3	closed
í Factory configured - do not alter	JP4	closed
í Factory configured - do not alter	JP5	closed
í Factory configured - do not alter	JP6	closed
í Factory configured - do not alter	JP7	pins 2 & 3 closed
í Monitor type select color	JP8	closed
Monitor type select monochrome	JP8	open
í Factory configured - do not alter	JP12	closed
í Factory configured - do not alter	JP13	closed
í Factory configured - do not alter	JP14	closed
í Factory configured - do not alter	JP15	open
í Factory configured - do not alter	JP16	closed

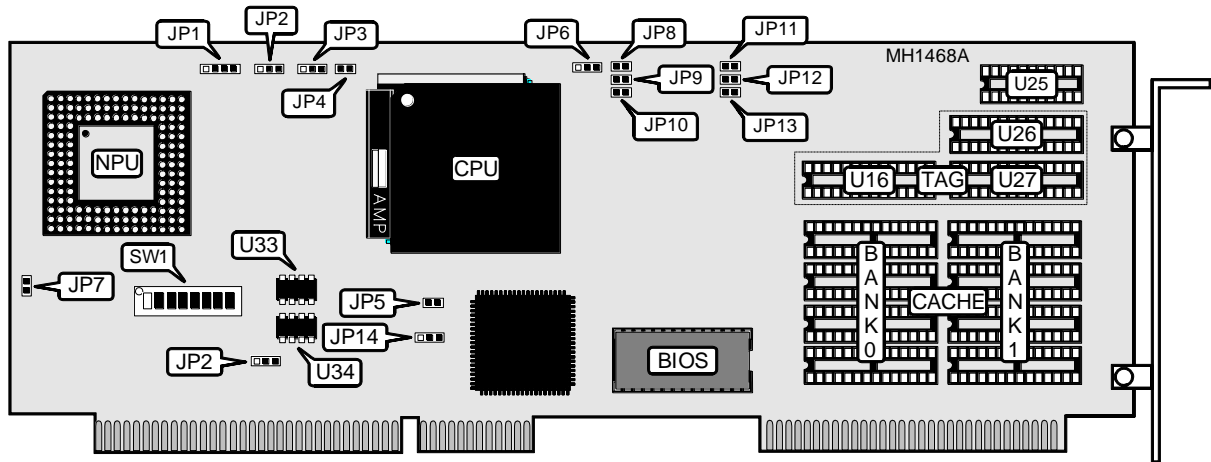
DRAM CONFIGURATION		
Size	Bank 0	Bank 1
4MB	(4) 1M x 9	NONE
8MB	(4) 1M x 9	(4) 1M x 9
16MB	(4) 4M x 9	NONE
20MB	(4) 1M x 9	(4) 4M x 9
32MB	(4) 4M x 9	(4) 4M x 9
64MB	(4) 16M x 9	NONE
128MB	(4) 16M x 9	(4) 16M x 9

BUS CLOCK CONFIGURATION			
Speed	JP9	JP10	JP11
í ≤ 25MHz	Open	Open	pins 2 & 3 closed
≥ 33MHz	Closed	Open	pins 1 & 2 closed
í 16MHz synchronous	Open	Open	pins 2 & 3 closed
í 20MHz synchronous	Open	Open	pins 2 & 3 closed
25MHz synchronous	Closed	Open	pins 1 & 2 closed
50MHz synchronous	Closed	Open	pins 1 & 2 closed

Continued on next page ...

WYSE TECHNOLOGY, INC.
WYSE DECISION 486SE

... continued from previous page



USER CONFIGURABLE SETTINGS CPU BOARD		
Function	Jumper	Position
í Factory configured - do not alter	JP4	open
í Factory configured - do not alter	JP5	closed
í Clock generator/oscillator enabled	JP14	pins 1 & 2 closed
Clock generator/oscillator disabled	JP14	pins 2 & 3 closed

Note: Clock generator is installed in U34 on board X770171 and in U33 on board Y77071.

SRAM JUMPER CONFIGURATION							
Size	JP6	JP8	JP9	JP10	JP11	JP12	JP13
128KB	pins 1 & 2 closed	closed	open	open	closed	open	open
256KB	pins 2 & 3 closed	closed	closed	open	closed	closed	open
512KB	pins 1 & 2 closed	closed	closed	closed	closed	closed	closed

SRAM CONFIGURATION						
Size	Cache	Location	TAG/U26	TAG/U27	TAG/U16	Dirty Bit/U25
64KB	(8) 8K x 8	Banks 0 & 1	NONE	NONE	(1) 16K x 1	(1) 64K x 1
128KB	(4) 32K x 8	Bank 0	NONE	(1) 8K x 8	(1) 16K x 1	(1) 64K x 1
256KB	(8) 32K x 8	Banks 0 & 1	(1) 8K x 8	(1) 8K x 8	(1) 16K x 1	(1) 64K x 1
512KB	(8) 128K x 8	Bank 0	NONE	(1) 32K x 8	(1) 64K x 1	(1) 64K x 1

Note: For Tag Ram U16 may be occupied with 64K x 1 chips.

Continued on next page . . .

WYSE TECHNOLOGY, INC.

WYSE DECISION 486SE

. . . continued from previous page

CPU SPEED CONFIGURATION					
Type	CPU Speed	JP1	JP2	JP3	JP7
80486SX	16MHz	pins 2 & 3	pins 2 & 3	open	open
80487SX	16MHz	closed	pins 2 & 3	pins 1 & 2	open
80486SX	20MHz	pins 2 & 3	pins 2 & 3	open	open
80487SX	20MHz	closed	pins 2 & 3	pins 1 & 2	open
80486SX	25MHz	pins 2 & 3	pins 2 & 3	open	closed
80486SX	33MHz	pins 2 & 3	pins 2 & 3	open	closed
80486DX	25MHz	closed	pins 2 & 3	pins 2 & 3	closed
80486DX	33MHz	closed	pins 2 & 3	pins 2 & 3	closed
80486DX2/50i	25MHz	closed	pins 2 & 3	pins 2 & 3	closed
80486DX2/66i	33MHz	closed	pins 2 & 3	pins 2 & 3	closed

Note: Pins designated should be in the closed position.

CPU TYPE CONFIGURATION SWITCH 1 BOARD X77017								
Type	SW1/1	SW1/2	SW1/3	SW1/4	SW1/5	SW1/6	SW1/7	SW1/8
80486SX/16MHz	off	on	off	on	on	off	on	off
80487SX/16MHz	off	on	off	on	on	off	on	off
80486SX/20MHz	off	off	off	on	on	off	on	off
80487SX/20MHz	off	off	off	on	on	off	on	off
80486SX/25MHz	off	on	on	off	on	off	on	off
80486SX/33MHz	off	on	on	off	on	off	on	off
80486DX/25MHz	off	on	on	off	on	off	on	off
80486DX/33MHz	off	on	on	off	on	off	on	off
80486DX2/50iMHz	off	on	on	off	on	off	on	off
80486DX2/66iMHz	off	off	on	off	on	off	on	off

CPU TYPE CONFIGURATION SWITCH 1 BOARD Y77017								
Type	SW1/1	SW1/2	SW1/3	SW1/4	SW1/5	SW1/6	SW1/7	SW1/8
80486SX/16MHz	on	off	off	on	on	off	on	off
80487SX/16MHz	on	off	off	on	on	off	on	off
80486SX/20MHz	off	off	on	on	on	off	off	off
80487SX/20MHz	off	off	on	on	on	off	off	off
80486SX/25MHz	off	off	on	on	on	off	on	off
80486SX/33MHz	off	on	on	on	on	off	on	off
80486DX/25MHz	on	off	on	on	on	off	on	off
80486DX/33MHz	off	on	on	on	on	off	on	off
80486DX2/50iMHz	on	on	on	on	on	off	on	off
80486DX2/66iMHz	off	off	on	on	on	off	on	off