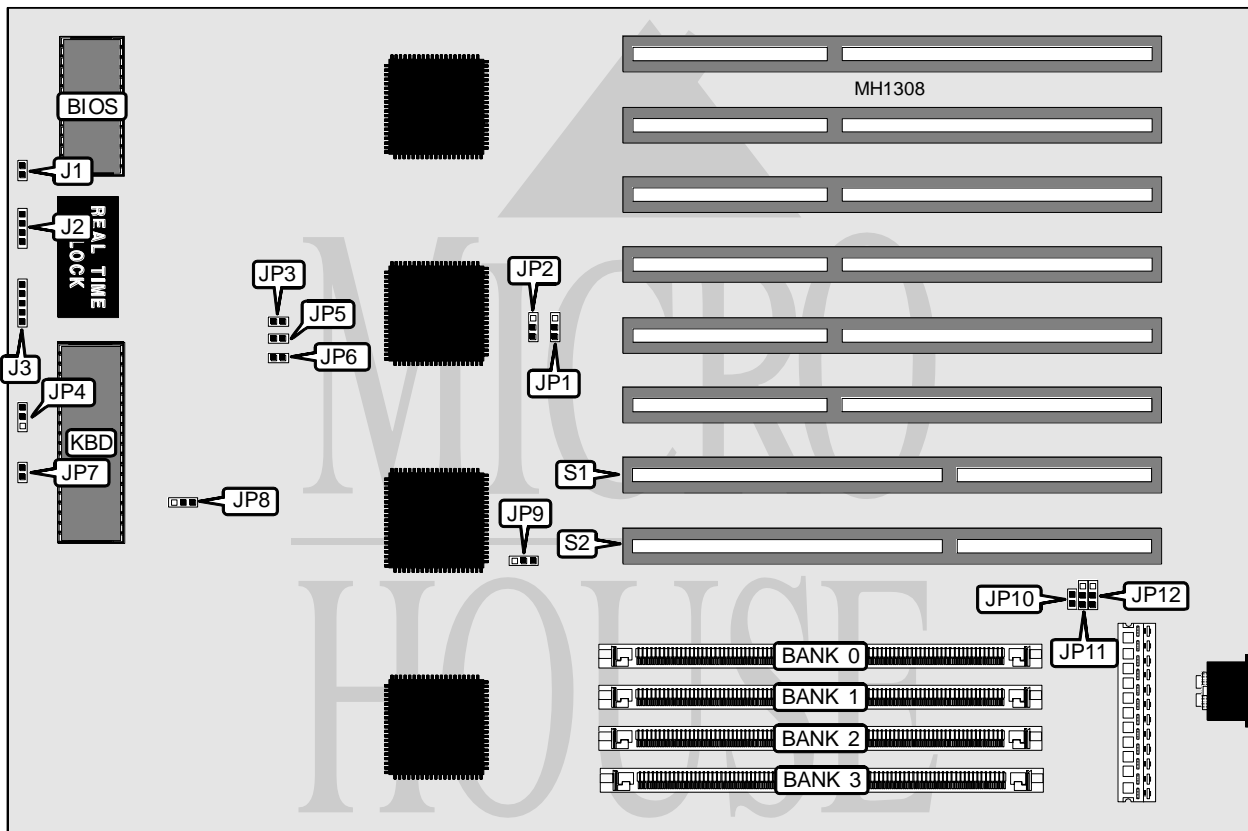


# CLUB AMERICAN TECHNOLOGIES, INC. FALCON 450 EISA SERIES (REVISION C)

<b>Processor</b>	80486DX
<b>Processor Speed</b>	50MHz
<b>Chip Set</b>	VLSI
<b>Max. Onboard DRAM</b>	256MB
<b>SRAM Cache</b>	64/256KB
<b>BIOS</b>	AMI
<b>Dimensions</b>	330.2mm x 218.4mm
<b>I/O Options</b>	32-bit external CPU/NPU card slot 32-bit external video card slot
<b>NPU Options</b>	4167 (on external CPU/NPU card)



CONNECTIONS			
Purpose	Location	Purpose	Location
Reset switch	J1	32-bit external video card	S1
Speaker	J2	32-bit NPU/CPU card	S2
Power LED & keylock	J3		

Continued on next page . . .

# CLUB AMERICAN TECHNOLOGIES, INC.

## FALCON 450 EISA SERIES (REVISION C)

... continued from previous page

USER CONFIGURABLE SETTINGS		
Function	Jumper	Position
í Factory configured - do not alter	JP1	pins 2 & 3 closed
í Factory configured - do not alter	JP2	pins 2 & 3 closed
í Factory configured - do not alter	JP3	open
í Factory configured - do not alter	JP5	closed
í Factory configured - do not alter	JP6	closed
í Monitor type select color	JP7	closed
Monitor type select monochrome	JP7	open
í Video adapter select normal	JP9	pins 1 & 2 closed
Video adapter select local bus	JP9	pins 2 & 3 closed
í Factory configured - do not alter	JP11	pins 2 & 3 closed
í Factory configured - do not alter	JP12	pins 2 & 3 closed

CPU JUMPER CONFIGURATION			
CPU	JP4	JP8	JP10
80486DX2-66	pins 1 & 2 closed	pins 1 & 2 closed	closed
80486DX2-50	pins 1 & 2 closed	pins 2 & 3 closed	closed
ODP487SX-50	pins 1 & 2 closed	pins 2 & 3 closed	closed
80486DX-50 <sup>1</sup>	pins 1 & 2 closed	pins 2 & 3 closed	closed
80486DX-33	pins 1 & 2 closed	pins 2 & 3 closed	closed
80486SX-25	pins 1 & 2 closed	pins 2 & 3 closed	closed
80486SX-20	pins 2 & 3 closed	pins 2 & 3 closed	open

Note<sup>1</sup>: Revision C runs only at 50MHz, other settings are provided for other CPU modules.

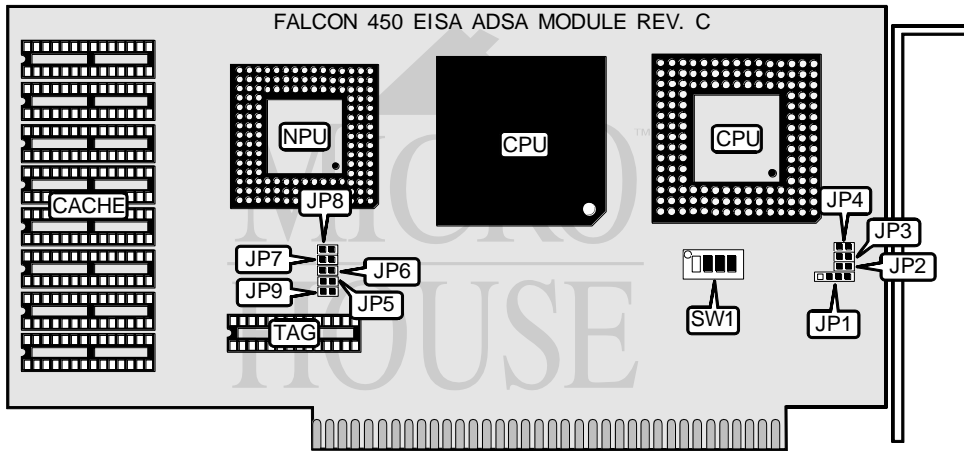
DRAM CONFIGURATION				
Size	Bank 0	Bank 1	Bank 2	Bank 3
4MB	(1) 1M x 36	NONE	NONE	NONE
8MB	(1) 1M x 36	(1) 1M x 36	NONE	NONE
12MB	(1) 1M x 36	(1) 1M x 36	(1) 1M x 36	NONE
16MB	(1) 1M x 36	(1) 1M x 36	(1) 1M x 36	(1) 1M x 36
16MB	(1) 4M x 36	NONE	NONE	NONE
20MB	(1) 1M x 36	(1) 4M x 36	NONE	NONE
24MB	(1) 1M x 36	(1) 1M x 36	(1) 4M x 36	NONE
32MB	(1) 4M x 36	(1) 4M x 36	NONE	NONE
36MB	(1) 1M x 36	(1) 4M x 36	(1) 4M x 36	NONE
40MB	(1) 1M x 36	(1) 1M x 36	(1) 4M x 36	(1) 4M x 36
40MB	(1) 1M x 36	(1) 4M x 36	(1) 4M x 36	(1) 1M x 36
64MB	(1) 4M x 36	(1) 4M x 36	(1) 4M x 36	(1) 4M x 36
64MB	(1) 16M x 36	NONE	NONE	NONE
128MB	(1) 16M x 36	(1) 16M x 36	NONE	NONE
192MB	(1) 16M x 36	(1) 16M x 36	(1) 16M x 36	NONE
256MB	(1) 16M x 36	(1) 16M x 36	(1) 16M x 36	(1) 16M x 36

Continued on next page . . .

# CLUB AMERICAN TECHNOLOGIES, INC.

## FALCON 450 EISA SERIES (REVISION C)

... continued from previous page



CPU JUMPER CONFIGURATION				
CPU	JP1	JP2	JP3	JP4
80486DX-50	pins 1 & 2 and 3 & 4 closed	closed	closed	closed

NPU SWITCH CONFIGURATION				
NPU	SW1/switch 1	SW1/switch 2	SW1/switch 3	SW1/switch 4
4167	open	open	open	open
None	closed	closed	closed	closed

SRAM JUMPER CONFIGURATION					
Size	JP5	JP6	JP7	JP8	JP9
64KB	open	open	open	open	closed
256KB	closed	closed	closed	closed	closed

SRAM CONFIGURATION		
Size	CACHE	TAG
64KB	(8) 8K x 8	(1) 8K x 8
256KB	(8) 32K x 8	(1) 32K x 8