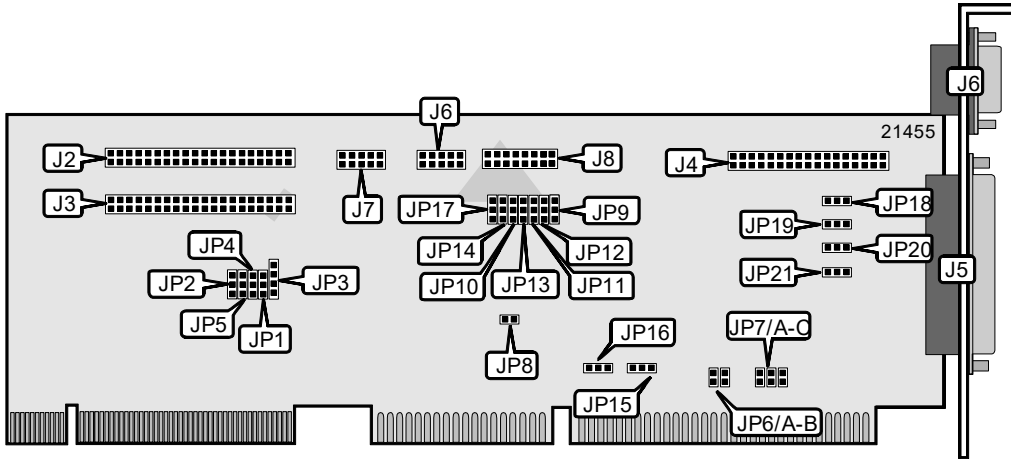


# UNIDENTIFIED VESA ENHANCED IDE CARD

Card Type	Hard drive controller
Hard Drives supported	Four EIDE drives
Floppy drives supported	Two 360KB, 720KB, 1.2MB, 1.44MB or 2.88MB drives
Data Bus	32-bit VESA Local Bus
Card Size	Three-quarter length, half-height



CONNECTIONS				
Function	Label	Function	Label	
40-pin primary IDE(AT) connector	J2	10-pin serial port 1 - internal, 9-pin serial port 1 external	J6	
40-pin secondary IDE(AT) connector	J3	10-pin serial port 2	J7	
34-pin cable connector - floppy drive	J4	16-pin game port	J8	
25-pin parallel port	J5	4-pin connector - drive active LED	JP3	

USER CONFIGURABLE SETTINGS			
Function	Label	Position	
í Factory configured - do not alter	JP4	Unidentified	
í Factory configured - do not alter	JP5	Unidentified	
í Factory configured - do not alter	JP6/A-B	Unidentified	
í Factory configured - do not alter	JP7/A-C	Unidentified	
í Game port enabled	JP8	Closed	
Game port disabled	JP8	Open	
í Factory configured - do not alter	JP15	Unidentified	
í Factory configured - do not alter	JP16	Unidentified	
í Factory configured - do not alter	JP17	Unidentified	
í Factory configured - do not alter	JP18	Unidentified	
í Factory configured - do not alter	JP19	Unidentified	
í Floppy drive interface enabled	JP20	Pins 1 & 2 closed	
Floppy drive interface disabled	JP20	Pins 2 & 3 closed	
í Floppy drive order is normal (A:, B:)	JP21	Pins 1 & 2 closed	
Floppy drive order is reversed (B:, A:)	JP21	Pins 2 & 3 closed	

Continued on next page . . .

# UNIDENTIFIED VESA ENHANCED IDE CARD

. . . continued from previous page

IDE INTERFACES CONFIGURATION		
Setting	JP1	JP2
í All interfaces enabled	Pins 2 & 3 closed	Pins 2 & 3 closed
Primary interface enabled	Pins 1 & 2 closed	Pins 2 & 3 closed
Secondary interface enabled	Pins 2 & 3 closed	Pins 1 & 2 closed
All interfaces disabled	Pins 1 & 2 closed	Pins 1 & 2 closed

PARALLEL PORT ADDRESS SELECTION		
Setting	JP10	JP11
í 278h	Pins 1 & 2 closed	Pins 1 & 2 closed
378h	Pins 2 & 3 closed	Pins 2 & 3 closed
3BCh	Pins 2 & 3 closed	Pins 1 & 2 closed
Disabled	Pins 1 & 2 closed	Pins 2 & 3 closed

SERIAL PORT 1 ADDRESS SELECTION		
Setting	JP13	JP14
í COM1 (3F8h)	Pins 1 & 2 closed	Pins 1 & 2 closed
COM3 (3E8h)	Pins 2 & 3 closed	Pins 2 & 3 closed
COM4 (2E8h)	Pins 2 & 3 closed	Pins 1 & 2 closed
Disabled	Pins 1 & 2 closed	Pins 2 & 3 closed

SERIAL PORT 2 ADDRESS SELECTION		
Setting	JP9	JP12
í COM2 (2F8h)	Pins 1 & 2 closed	Pins 1 & 2 closed
COM3 (3E8h)	Pins 2 & 3 closed	Pins 1 & 2 closed
COM4 (2E8h)	Pins 2 & 3 closed	Pins 2 & 3 closed
Disabled	Pins 1 & 2 closed	Pins 2 & 3 closed