



MULTIMEDIA CHIPSET

Apollo PL133T



Features	VIA Apollo PL133T	Intel® 815
North Bridge	VT8604	82815 MCH
Processor Support	Intel® Pentium® III (including Tualatin) Intel® Celeron™ VIA C3™	Intel® Celeron™ Intel® Pentium® III VIA C3™
Front Side Bus Settings	66/100/133MHz	66/100/133MHz
Integrated 2D/3D	S3 Savage4™ graphics core with AGP4X	AGP2X integrated with optional AGP4X port interface
Memory Bus Settings	66/100/133MHz	66/100/133MHz
Max. Memory	1.5GB	512MB
Memory Type	PC66/100/133 SDRAM VC SDRAM	PC66/100 SDRAM
South Bridge	VT8231	82801AA
ACR Support	Yes	Yes
Integrated Audio/Modem	AC'97/MC'97	AC'97/MC'97
Sound Blaster™ Compatible Audio	Yes	No
Integrated Network controller	1/10Mb HomePNA or 10/100 BaseT Ethernet	No
PCI Devices/Slots	Up to 8	Up to 6
ISA Devices Support	Yes	No
IDE	ATA 33/66/100	ATA 33/66
USB	4 ports	2 ports
Integrated Super IO	FDC/2S/1P/Game port/IR	No
IO APIC	Yes	Yes
Power Management	ACPI/OnNow™ PMM	ACPI/OnNow™ PMM

Benefits of VIA Apollo PL133T

Extremely cost effective platform

The VIA Apollo PL133T's highly integrated design enables OEMs and system builders to offer extremely cost effective PCs by eliminating numerous previously discrete PC components.

Flexible Platform

The VIA Apollo PL133T's 66/100/133 MHz Front Side Bus is optimized for the Intel® Pentium® III, Intel® Celeron™ and VIA C3™ processor, allowing OEMs and system builders to fully exploit the processor's performance.

Rich Graphics Capabilities

The integrated Savage4™ graphics core with AGP4X graphics provides a rich 3D graphical experience when surfing the web or running your favorite software applications.

DVD Playback and Video Conferencing

The VIA Apollo PL133T delivers seamless fill screen video playback through its integrated Video Accelerator and enables high quality video conferencing through multiple video window functionality.

PC133 performance

PC133 SDRAM offers the bandwidth necessary to squeeze the peak performance out of the latest generation Intel® Pentium® III, Intel® Celeron™ and VIA C3™ processors and multimedia software applications.

Features

- Supports Intel® Pentium® III, Intel® Celeron™ and VIA C3™ Processor
- 66/100/133MHz FSB settings
- Integrated AGP4X
- Integrated VIA S3 Savage4™ graphics core with 2D/3D Video Accelerator
- Support for PC133 SDRAM as well as PC66/100 SDRAM and Virtual Channel Memory
- Support for Advanced Communications Riser (ACR)
- Integrated AC'97, MC'97 Audio/Modem
- Integrated 10/100Mb Ethernet controller or 1/10Mb HomePNA
- Support for ATA 33/66/100
- v4 USB ports, UHCI compliant
- Integrated Super I/O
- Support for LPC (Low Pin Count) bus
- Support for CRT, Digital Flat Panel and TV display
- Advanced power management capabilities
- 552-pin BGA VT8604 North Bridge
- 352-pin BGA VT8231 South Bridge

www.viatech.com



VIA Technologies, Inc.
533 Chung-Cheng RD 8F,
Hsin-Tien, Taipei 231, Taiwan.
TEL:886-2-22185452

S3 Graphics, Inc.
1045 Mission Court
Fremont, CA 94539, U.S.A.
Tel: 1-510-687-4900
<http://www.s3graphics.com>

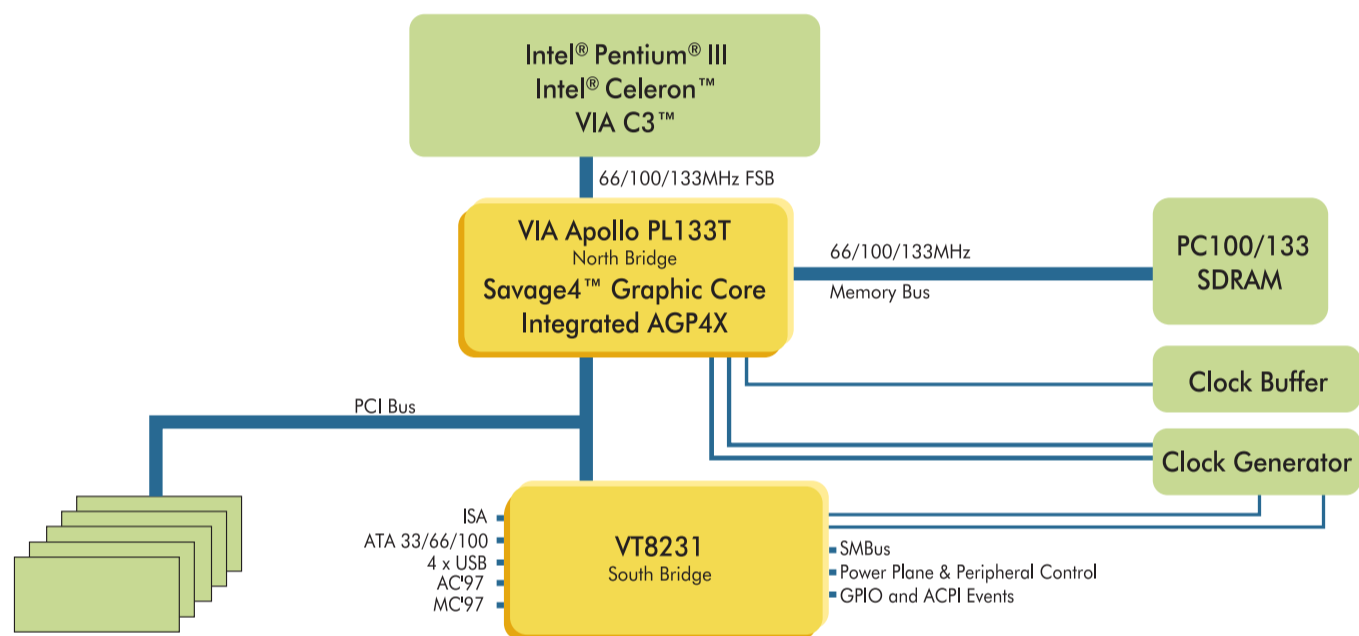
05, 2001



MULTIMEDIA CHIPSET

Apollo PL133T

The VIA Apollo PL133T combines the market-leading VIA Apollo Pro133A chipset with the award winning S3 Savage4™ graphics core to set the new industry benchmark for integrated chipset scalability and performance in Value PC systems based on the Intel® Pentium® III, Intel® Celeron™ and VIA C3™ processor.



The VIA Apollo PL133T offers exceptional graphics performance provided by an advanced S3 Savage4™ 3D/2D graphics core and integrated AGP4X. Combined with PC133 SDRAM and ATA-100 technologies it redefines the integrated chipset standard for the mainstream and value markets. The VIA Apollo PL133T also offers complete flexibility with adjustable 66/100/133MHz Front Side Bus, PC66/100/133MHz SDRAM and VCM support. A wide range of additional integrated features provide



OEMs and System Integrators with further scope to reduce the cost of building innovative Information PCs and Internet Appliances without sacrificing features and performance. These include an integrated 10/100 Ethernet and HomePNA controller, AC'97 audio, MC'97 modem, Super I/O, support for four USB ports, ATA-100, and advanced power management.

