



# Pentium®/II Clock Synthesizer/Driver for Desktop PCs with Intel 82440LX with 3 DIMMs

## Features

- Mixed 2.5V and 3.3V operation
- Clock solution to meet requirements of Pentium® and Pentium® II motherboards
  - Four CPU clocks at 2.5V
  - Up to twelve 3.3V SDRAM clocks
  - Seven synchronous PCI clocks
  - Two 2.5V IOAPIC clocks at 14.318 MHz
  - One 3.3V Ref. clock at 14.318 MHz
- 1 ns–5.8 ns CPU-PCI delay, factory-EPROM programmable
- I<sup>2</sup>C™ Serial Configuration Interface
- Factory-EPROM programmable output drive and slew rate for EMI customization
- Factory-EPROM programmable CPU clock frequencies for custom configurations
- Powerdown, CPU stop and PCI stop pins for power management
- High drive, low skew (<250ps) and low jitter outputs
- Intel Test Mode support
- Available in space-saving 48-pin SSOP package

## Functional Description

The CY2275A is a Clock Synthesizer/Driver for a Pentium and Pentium II-based PCs using an Intel 82440LX or similar core-logic chipset.

The CY2275A outputs four CPU clocks at 2.5V. There are seven PCI clocks, running at one half the CPU clock frequency.

One of the PCI clocks is free-running. Additionally, the part outputs twelve 3.3V SDRAM clocks, two 2.5V IOAPIC clocks at 14.318 MHz, and one 3.3V reference clock at 14.318 MHz.

The part has power-down, CPU stop, and PCI stop pins for power management control. These inputs are multiplexed with SDRAM clock outputs, and are selected when the MODE pin is driven LOW. Additionally, these inputs are synchronized on-chip, enabling glitch-free output transitions. When the CPU\_STOP input is asserted, the CPU clock outputs are driven LOW. When the PCI\_STOP input is asserted, the PCI clock outputs (except the free-running PCI clock) are driven LOW. Finally, when the PWR\_DWN pin is asserted, the reference oscillator and PLLs are shut down, and all outputs are driven LOW.

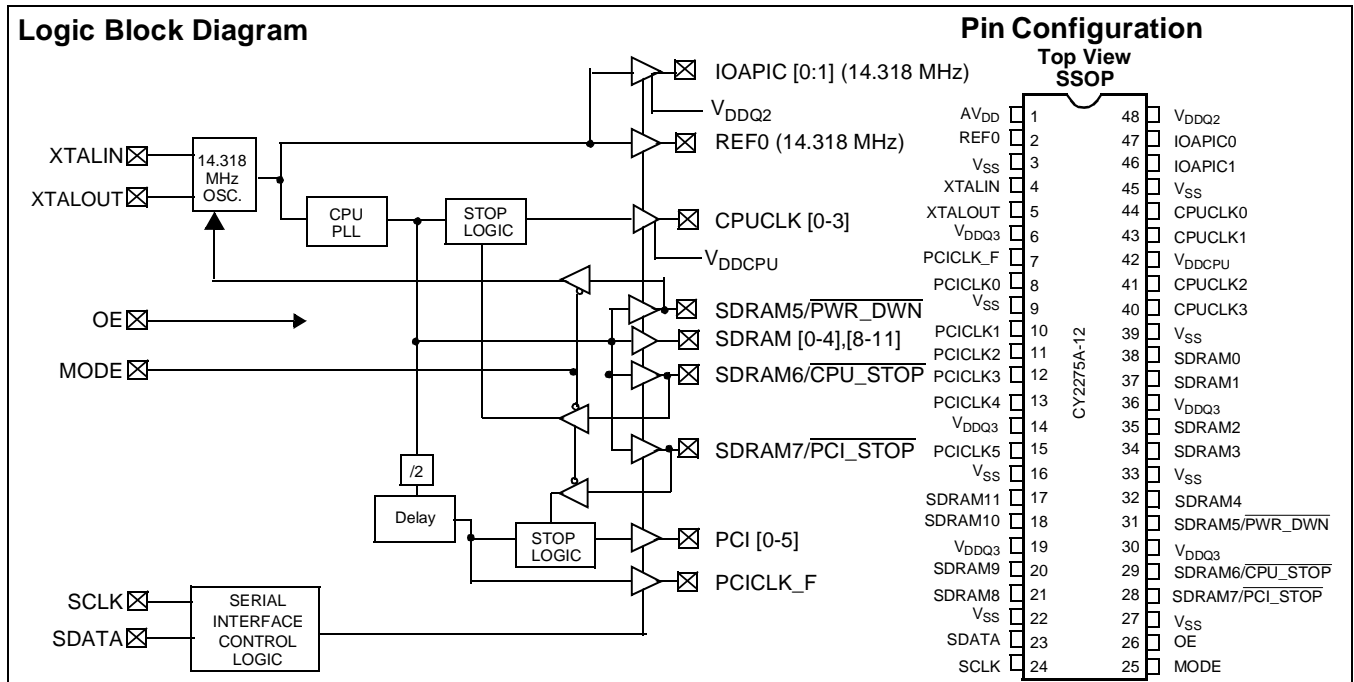
The CY2275A outputs are designed for low EMI emission. Controlled rise and fall times, unique output driver circuits and factory-EPROM programmable output drive and slew-rate enable optimal configurations for EMI control.

## CY2275A Selector Guide

Clocks Outputs	-12
CPU@2.5V (66.6MHz)	4
SDRAM	9/12
PCI (33.3MHz)	7 <sup>[1]</sup>
IOAPIC (14.318 MHz)	2
Ref (14.318MHz)	1
CPU-PCI delay	1-5.8 ns

### Note:

1. One free-running PCI clock.



Intel and Pentium are registered trademarks of Intel Corporation. I<sup>2</sup>C is a trademark of Philips Corporation.

**Pin Summary**

Name	Pins	Description
V <sub>DDQ3</sub>	6, 14, 19, 30, 36	3.3V Digital voltage supply
V <sub>DDQ2</sub>	48	IOAPIC Digital voltage supply, 2.5V
V <sub>DDCPU</sub>	42	CPU Digital voltage supply, 2.5V
AV <sub>DD</sub>	1	Analog voltage supply, 3.3V
V <sub>SS</sub>	3, 9, 16, 22, 27, 33, 39, 45	Ground
XTALIN <sup>[2]</sup>	4	Reference crystal input
XTALOUT <sup>[2]</sup>	5	Reference crystal feedback
SDRAM7/ PCI_STOP	28	SDRAM clock output. Also, active LOW control input to stop PCI clocks, enabled when MODE is LOW.
SDRAM6/ CPU_STOP	29	SDRAM clock output. Also, active LOW control input to stop CPU clocks, enabled when MODE is LOW.
SDRAM5/ PWR_DWN	31	SDRAM clock output. Also, active LOW control input to power down device, enabled when MODE is LOW.
SDRAM[0:4],[8:11]	38, 37, 35, 34, 32, 21, 20, 18, 17	SDRAM clock outputs
OE	26	Active HIGH Output Enable Input (see table below)
CPUCLK[0:3]	44, 43, 41, 40	CPU clock outputs
PCICLK[0:5]	8, 10, 11, 12, 13, 15	PCI clock outputs, at one-half the CPU frequency
PCICLK_F	7	Free-running PCI clock output
IOAPIC[0:1]	47, 46	IOAPIC clock output
REF0	2	Reference clock outputs, 14.318 MHz, drives 45 pF load
SDATA	23	Serial data input for serial configuration port
SCLK	24	Serial clock input for serial configuration port
MODE	25	Mode Select pin for enabling power management features

**Note:**

- For best accuracy, use a parallel-resonant crystal, C<sub>LOAD</sub> = 18 pF.

**Function Table**

OE	XTALIN	CPUCLK[0:3] SDRAM[0:11]	PCICLK[0:5] PCICLK_F	REF0 IOAPIC[0:1]
0	14.318 MHz	Hi-Z	Hi-Z	Hi-Z
1	14.318 MHz	66.67 MHz	33.33 MHz	14.318 MHz

**Actual Clock Frequency Values**

Clock Output	Target Frequency (MHz)	Actual Frequency (MHz)	PPM
CPUCLK	66.67	66.654	-195

**CPU and PCI Clock Driver Strengths**

- Matched impedances on both rising and falling edges on the output drivers
- Output impedance: 25Ω (typical) measured at 1.5V.

**Power Management Logic - Active when MODE pin is held 'LOW'**

CPU_STOP	PCI_STOP	PWR_DWN	CPUCLK	PCICLK	PCICLK_F	Other Clocks	Osc.	PLLs
X	X	0	Low	Low	Stopped	Stopped	Off	Off
0	0	1	Low	Low	Running	Running	Running	Running
0	1	1	Low	33/30 MHz	Running	Running	Running	Running
1	0	1	66/60 MHz	Low	Running	Running	Running	Running
1	1	1	66/60 MHz	33/30 MHz	Running	Running	Running	Running

**Serial Configuration Map**

- The Serial bits will be read by the clock driver in the following order:
  - Byte 0 - Bits 7, 6, 5, 4, 3, 2, 1, 0
  - Byte 1 - Bits 7, 6, 5, 4, 3, 2, 1, 0
  - .
  - .
  - Byte N - Bits 7, 6, 5, 4, 3, 2, 1, 0
- Reserved and unused bits should be programmed to "0".
- I<sup>2</sup>C Address for the CY2275 is:

A6	A5	A4	A3	A2	A1	A0	R/W
1	1	0	1	0	0	1	----

**Byte 0: Functional and Frequency Select Clock Register (1 = Enable, 0 = Disable)**

Bit	Pin #	Description	
Bit 7	--	(Reserved) drive to '0'	
Bit 6	--	(Reserved) drive to '0'	
Bit 5	--	(Reserved) drive to '0'	
Bit 4	--	(Reserved) drive to '0'	
Bit 3	--	(Reserved) drive to '0'	
Bit 2	--	(Reserved) drive to '0'	
Bit 1	--	Bit 1	Bit 0
Bit 0	--	1	1 - Three-State
		0	0 - N/A
		0	1 - Testmode
		0	0 - Normal Operation

**Select Functions**

Functional Description	Outputs				
	CPU	PCI, PCI_F	SDRAM	Ref	IOAPIC
Three-State	Hi-Z	Hi-Z	Hi-Z	Hi-Z	Hi-Z
Test Mode	TCLK/2 <sup>[3]</sup>	TCLK/4	TCLK/2	TCLK	TCLK

**Note:**

- TCLK supplied on the XTALIN pin in Test Mode.

**Byte 1: CPU Active/Inactive Register  
(1 = Active, 0 = Inactive), Default = Active**

Bit	Pin #	Description
Bit 7	N/A	(Reserved) drive to '0'
Bit 6	N/A	(Reserved) drive to '0'
Bit 5	N/A	(Reserved) drive to '0'
Bit 4	N/A	Not used - drive to '0'
Bit 3	40	CPUCLK3 (Active/Inactive)
Bit 2	41	CPUCLK2 (Active/Inactive)
Bit 1	43	CPUCLK1 (Active/Inactive)
Bit 0	44	CPUCLK0 (Active/Inactive)

**Byte 2: PCI Active/Inactive Register  
(1 = Active, 0 = Inactive), Default = Active**

Bit	Pin #	Description
Bit 7	--	(Reserved) drive to '0'
Bit 6	7	PCICLK_F (Active/Inactive)
Bit 5	15	PCICLK5 (Active/Inactive)
Bit 4	14	PCICLK4 (Active/Inactive)
Bit 3	12	PCICLK3 (Active/Inactive)
Bit 2	11	PCICLK2 (Active/Inactive)
Bit 1	10	PCICLK1 (Active/Inactive)
Bit 0	8	PCICLK0 (Active/Inactive)

**Byte 3: SDRAM Active/Inactive Register  
(1 = Active, 0 = Inactive), Default = Active**

Bit	Pin #	Description
Bit 7	28	SDRAM7 (Active/Inactive)
Bit 6	29	SDRAM6 (Active/Inactive)
Bit 5	31	SDRAM5 (Active/Inactive)
Bit 4	32	SDRAM4 (Active/Inactive)
Bit 3	34	SDRAM3 (Active/Inactive)
Bit 2	35	SDRAM2 (Active/Inactive)
Bit 1	37	SDRAM1 (Active/Inactive)
Bit 0	38	SDRAM0 (Active/Inactive)

**Byte 4: SDRAM Active/Inactive Register  
(1 = Active, 0 = Inactive), Default = Active**

Bit	Pin #	Description
Bit 7	N/A	Not used - drive to '0'
Bit 6	N/A	Not used - drive to '0'
Bit 5	N/A	Not used - drive to '0'
Bit 4	N/A	Not used - drive to '0'
Bit 3	17	SDRAM11
Bit 2	18	SDRAM10
Bit 1	20	SDRAM9
Bit 0	21	SDRAM8

**Byte 5: Peripheral Active/Inactive Register  
(1 = Active, 0 = Inactive), Default = Active**

Bit	Pin #	Description
Bit 7	N/A	(Reserved) drive to '0'
Bit 6	N/A	(Reserved) drive to '0'
Bit 5	46	IOAPIC1 (Active/Inactive)
Bit 4	47	IOAPIC0 (Active/Inactive)
Bit 3	N/A	(Reserved) drive to '0'
Bit 2	N/A	(Reserved) drive to '0'
Bit 1	N/A	(Reserved) drive to '0'
Bit 0	2	REF0 (Active/Inactive)

**Byte 6: Reserved, for future use**

**Maximum Ratings**

(Above which the useful life may be impaired. For user guidelines, not tested.)

Supply Voltage ..... -0.5 to +7.0V  
 Input Voltage ..... -0.5V to  $V_{DD}+0.5$

Storage Temperature (Non-Condensing) ... -65°C to +150°C  
 Max. Soldering Temperature (10 sec) ..... +260°C  
 Junction Temperature ..... +150°C  
 Package Power Dissipation ..... 1W  
 Static Discharge Voltage ..... >2000V  
 (per MIL-STD-883, Method 3015, like  $V_{DD}$  pins tied together)

**Operating Conditions<sup>[4]</sup>**

Parameter	Description	Min.	Max.	Unit
$AV_{DD}, V_{DDQ3}$	Analog and Digital Supply Voltage	3.135	3.465	V
$V_{DDCPU}$	CPU Supply Voltage	2.375	2.9	V
$V_{DDQ2}$	IOAPIC Supply Voltage	2.375	2.9	V
$T_A$	Operating Temperature, Ambient	0	70	°C
$C_L$	Max. Capacitive Load on CPUCLK, IOAPIC[0:1] PCICLK, SDRAM REF0	10 30, 20 20	20 30 45	pF
$f_{(REF)}$	Reference Frequency, Oscillator Nominal Value	14.318	14.318	MHz

**Electrical Characteristics Over the Operating Range**

Parameter	Description	Test Conditions		Min.	Max.	Unit
$V_{IH}$	High-level Input Voltage	Except Crystal Inputs		2.0		V
$V_{IL}$	Low-level Input Voltage	Except Crystal Inputs			0.8	V
$V_{ILiic}$	Low-level Input Voltage	$I^2C$ inputs only			0.7	V
$V_{OH}$	High-level Output Voltage	$V_{DDCPU} = V_{DDQ2} = 2.375V$	$I_{OH} = 16$ mA CPUCLK	2.0		V
			$I_{OH} = 18$ mA IOAPIC			
$V_{OL}$	Low-level Output Voltage	$V_{DDCPU} = V_{DDQ2} = 2.375V$	$I_{OL} = 27$ mA CPUCLK		0.4	V
			$I_{OL} = 29$ mA IOAPIC			
$V_{OH}$	High-level Output Voltage	$V_{DDQ3}, AV_{DD} = 3.135V$	$I_{OH} = 36$ mA SDRAM	2.4		V
			$I_{OH} = 32$ mA PCICLK			
			$I_{OH} = 36$ mA REF0			
$V_{OL}$	Low-level Output Voltage	$V_{DDQ3}, AV_{DD} = 3.135V$	$I_{OL} = 29$ mA SDRAM		0.4V	V
			$I_{OL} = 26$ mA PCICLK			
			$I_{OL} = 29$ mA REF0			
$I_{IH}$	Input High Current	$V_{IH} = V_{DD}$		-10	+10	$\mu A$
$I_{IL}$	Input Low Current	$V_{IL} = 0V$			10	$\mu A$
$I_{OZ}$	Output Leakage Current	Three-state		-10	+10	$\mu A$
$I_{DD}$	Power Supply Current <sup>[5]</sup>	$V_{DD} = 3.465V, V_{IN} = 0$ or $V_{DD}$ , Loaded Outputs, CPU clocks = 66.67 MHz			300	mA
$I_{DD}$	Power Supply Current <sup>[5]</sup>	$V_{DD} = 3.465V, V_{IN} = 0$ or $V_{DD}$ , Unloaded Outputs			120	mA
$I_{DDS}$	Power-down Current	Current draw in power-down state			500	$\mu A$

**Notes:**

- Electrical parameters are guaranteed with these operating conditions.
- Power supply current will vary with number of outputs which are running.

**Switching Characteristics<sup>[6]</sup>**

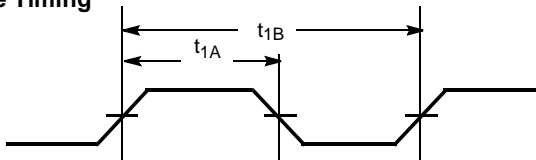
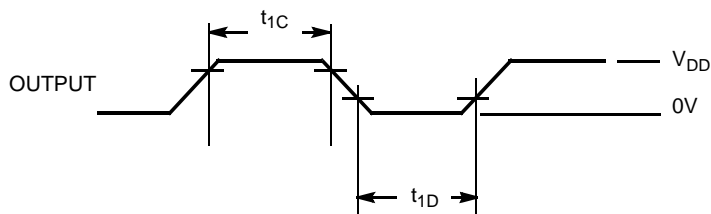
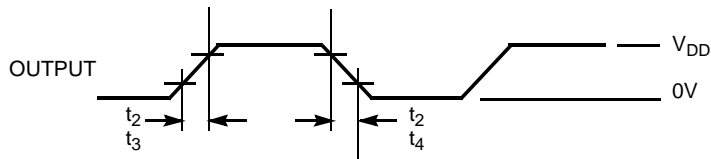
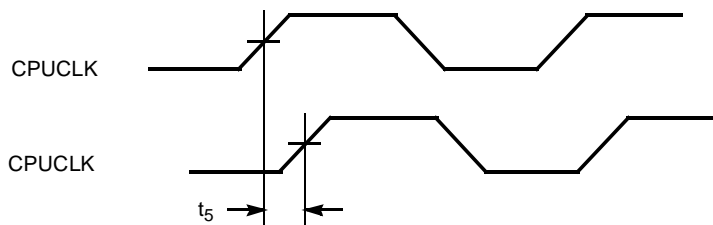
Parameter	Output	Description	Test Conditions	Min.	Typ.	Max.	Unit
t <sub>1</sub>	All	Output Duty Cycle <sup>[7]</sup>	t <sub>1</sub> = t <sub>1A</sub> ÷ t <sub>1B</sub>	45	50	55	%
t <sub>1C</sub>	CPUCLK	CPU Clock HIGH Time	Above 2.0V, 66.6 MHz, V <sub>DDCPU</sub> = 2.5V	5.2			ns
t <sub>1C</sub>	PCICLK	PCI Clock HIGH Time	Above 2.4V, 33.3 MHz	12.0			ns
t <sub>1D</sub>	CPUCLK	CPU Clock LOW Time	Below 0.4V, 66.6 MHz, V <sub>DDCPU</sub> = 2.5V	5.0			ns
t <sub>1D</sub>	PCICLK	PCI Clock LOW Time	Below 0.4V, 33.3 MHz	12.0			ns
t <sub>2</sub>	CPUCLK, IOAPIC	CPU and IOAPIC Clock Rising and Falling Edge Rate	Between 0.4V and 2.0V	0.75	1	4.0	V/ns
t <sub>2</sub>	PCICLK, REF0	PCI, REF0 Clock Rising and Falling Edge Rate	Between 0.4V and 2.4V	0.75	1	4.0	V/ns
t <sub>2</sub>	SDRAM	SDRAM Rising and Fall- ing Edge Rate	Between 0.4V and 2.4V	0.75	1	4.0	V/ns
t <sub>3</sub>	CPUCLK	CPU Clock Rise Time	Between 0.4V and 2.0V, V <sub>DDCPU</sub> = 2.5V	0.4		2.13	ns
t <sub>4</sub>	CPUCLK	CPU Clock Fall Time	Between 2.0V and 0.4V, V <sub>DDCPU</sub> = 2.5V	0.4		2.13	ns
t <sub>5</sub>	CPUCLK	CPU-CPU Clock Skew	Measured at 1.25V, V <sub>DDCPU</sub> = 2.5V		100	250	ps
t <sub>6</sub>	CPUCLK, PCICLK	CPU-PCI Clock Skew	Measured at 1.25V for 2.5V clocks, and at 1.5V for 3.3V clocks	1.0	3.5	5.8	ns
t <sub>7</sub>	CPUCLK, SDRAM	CPU-SDRAM Clock Skew	Measured at 1.25V for 2.5V clocks, and at 1.5V for 3.3V clocks		500	600	ps
t <sub>8</sub>	CPUCLK, SDRAM	Cycle-Cycle Clock Jitter	Measured at 1.25V for 2.5V clocks, and at 1.5V for 3.3V clocks			250	ps
t <sub>8</sub>	PCICLK	Cycle-Cycle Clock Jitter	Measured at 1.5V			500	ps
t <sub>9</sub>	CPUCLK, PCICLK, SDRAM	Power-up Time	CPU, PCI, and SDRAM clock stabiliza- tion from power-up			3	ms

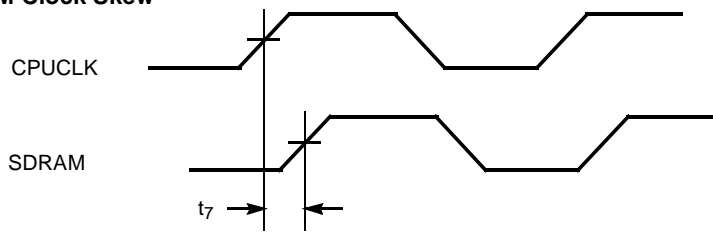
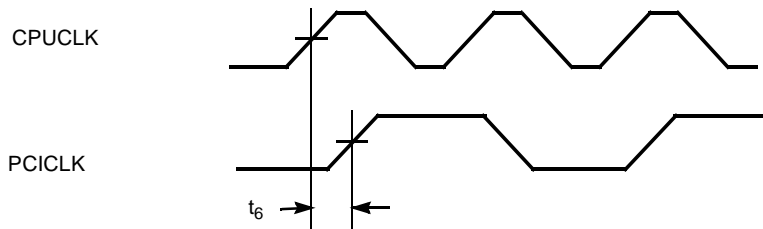
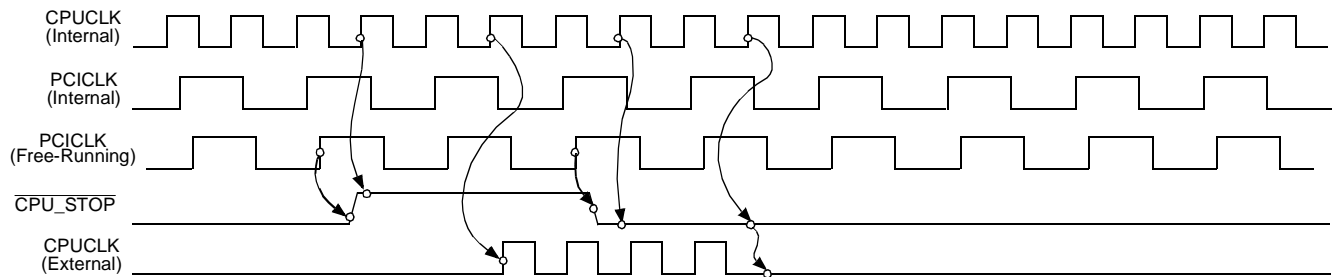
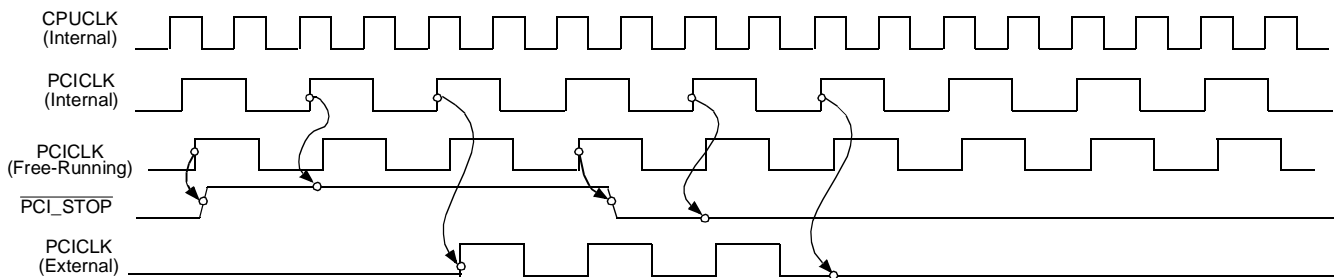
**Notes:**

6. All parameters specified with loaded outputs.
7. Duty cycle is measured at 1.5V when V<sub>DD</sub> = 3.3V. When V<sub>DDCPU</sub> = 2.5V, CPUCLK duty cycle is measured at 1.25V.

**Timing Requirement for the I<sup>2</sup>C Bus**

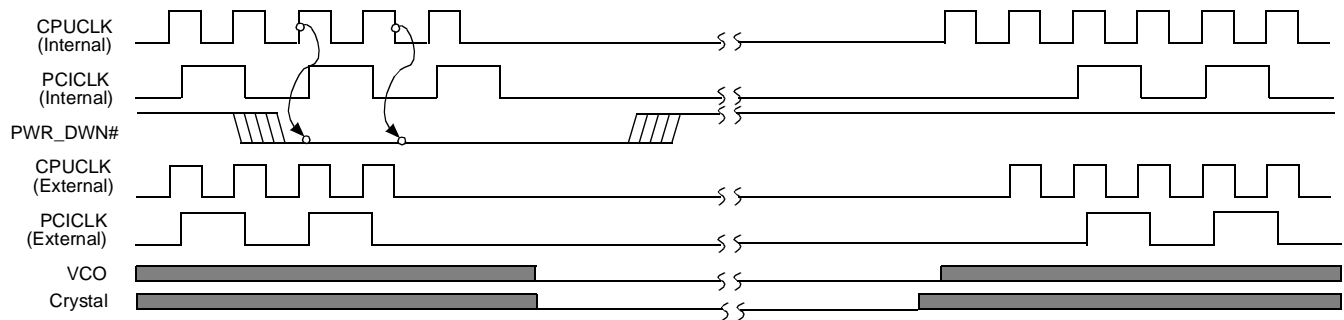
Parameter	Description	Min.	Max.	Unit
t <sub>10</sub>	SCLK Clock Frequency	0	100	kHz
t <sub>11</sub>	Time the bus must be free before a new transmission can start	4.7		μs
t <sub>12</sub>	Hold time start condition. After this period the first clock pulse is generated.	4		μs
t <sub>13</sub>	The LOW period of the clock.	4.7		μs
t <sub>14</sub>	The HIGH period of the clock.	4		μs
t <sub>15</sub>	Setup time for start condition. (Only relevant for a repeated start condition.)	4.7		μs
t <sub>16</sub>	Hold time DATA for CBUS compatible masters. for I <sup>2</sup> C devices	5 0		μs
t <sub>17</sub>	DATA input set-up time	250		ns
t <sub>18</sub>	Rise time of both SDATA and SCLK inputs		1	μs
t <sub>19</sub>	Fall time of both SDATA and SCLK inputs		300	ns
t <sub>20</sub>	Set-up time for stop condition	4.0		μs

**Switching Waveforms**
**Duty Cycle Timing**

**CPUCLK Outputs HIGH/LOW Time**

**All Outputs Rise/Fall Time**

**CPU-CPU Clock Skew**


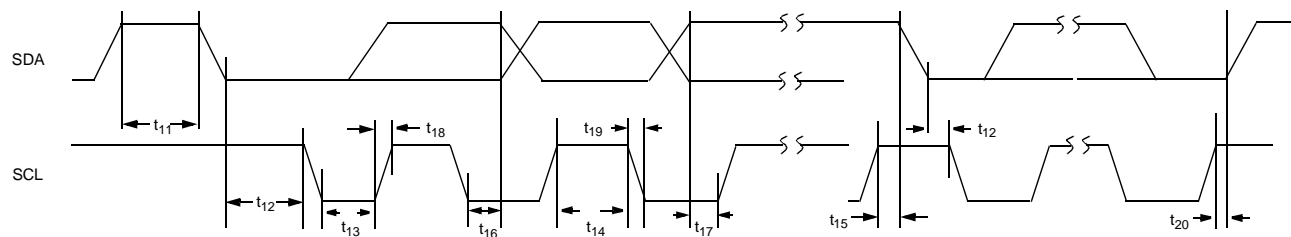
**Switching Waveforms (continued)**
**CPU-SDRAM Clock Skew**

**CPU-PCI Clock Skew**

**CPU\_STOP [8, 9]**

**PCI\_STOP [10, 11]**

**Notes:**

8. CPUCLK on and CPUCLK off latency is 2 or 3 CPUCLK cycles.
9. CPU\_STOP may be applied asynchronously. It is synchronized internally.
10. PCICLK on and PCICLK off latency is 1 rising edge of the external PCICLK.
11. PCI\_STOP may be applied asynchronously. It is synchronized internally.



**Switching Waveforms (continued)**
**PWR\_DOWN**


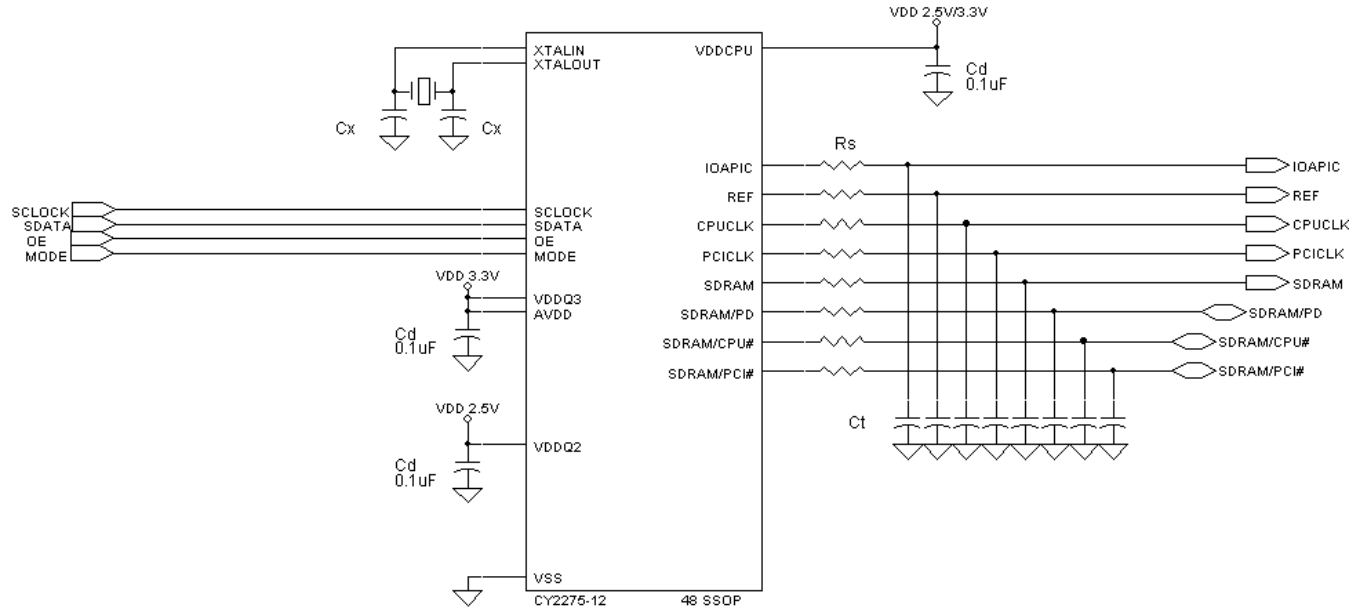
Shaded section on the VCO and Crystal waveforms indicates that the VCO and crystal oscillator are active, and there is a valid clock.

**Timing Requirements for the I<sup>2</sup>C Bus**


## Application Information

Clock traces must be terminated with either series or parallel termination, as they are normally done.

## Application Circuit



Cd = DECOUPLING CAPACITORS

Ct = OPTIONAL EMI-REDUCING CAPACITORS

Cx = OPTIONAL LOAD MATCHING CAPACITOR

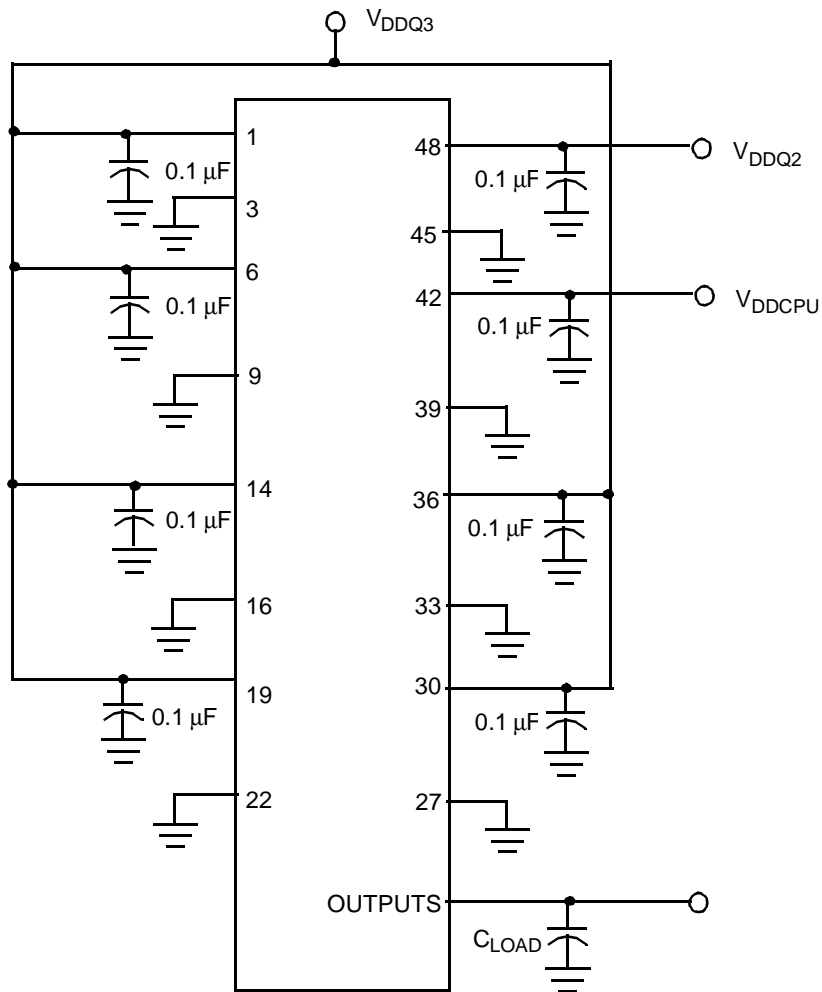
Rs = SERIES TERMINATING RESISTORS

## Summary

- A parallel-resonant crystal should be used as the reference to the clock generator. The operating frequency and  $C_{LOAD}$  of this crystal should be as specified in the data sheet. Optional trimming capacitors may be needed if a crystal with a different  $C_{LOAD}$  is used. Footprints must be laid out for flexibility.
- Surface mount, low-ESR, ceramic capacitors should be used for filtering. Typically, these capacitors have a value of 0.1  $\mu$ F. In some cases, smaller value capacitors may be required.
- The value of the series terminating resistor satisfies the following equation, where  $R_{trace}$  is the loaded characteristic impedance of the trace,  $R_{out}$  is the output impedance of the clock generator (specified in the data sheet), and  $R_{series}$  is the series terminating resistor.

$$R_{series} \geq R_{trace} - R_{out}$$

- Footprints must be laid out for optional EMI-reducing capacitors, which should be placed as close to the terminating resistor as is physically possible. Typical values of these capacitors range from 4.7 pF to 22 pF.
- A Ferrite Bead **may** be used to isolate the Board  $V_{DD}$  from the clock generator  $V_{DD}$  island. Ensure that the Ferrite Bead offers greater than 50 $\Omega$  impedance at the clock frequency, under loaded DC conditions. Please refer to the application note "Layout and Termination Techniques for Cypress Clock Generators" for more details.
- If a Ferrite Bead is used, a 10  $\mu$ F–22  $\mu$ F tantalum bypass capacitor should be placed close to the Ferrite Bead. This capacitor prevents power supply droop during current surges.

**Test Circuit**


Note: All capacitors should be placed as close to each pin as possible.

**Ordering Information**

Ordering Code	Package Name	Package Type	Operating Range
CY2275APVC-12	O48	48-Pin SSOP	Commercial

Document #: 38-00613-D

Package Diagram

48-Lead Shrunken Small Outline Package O48

