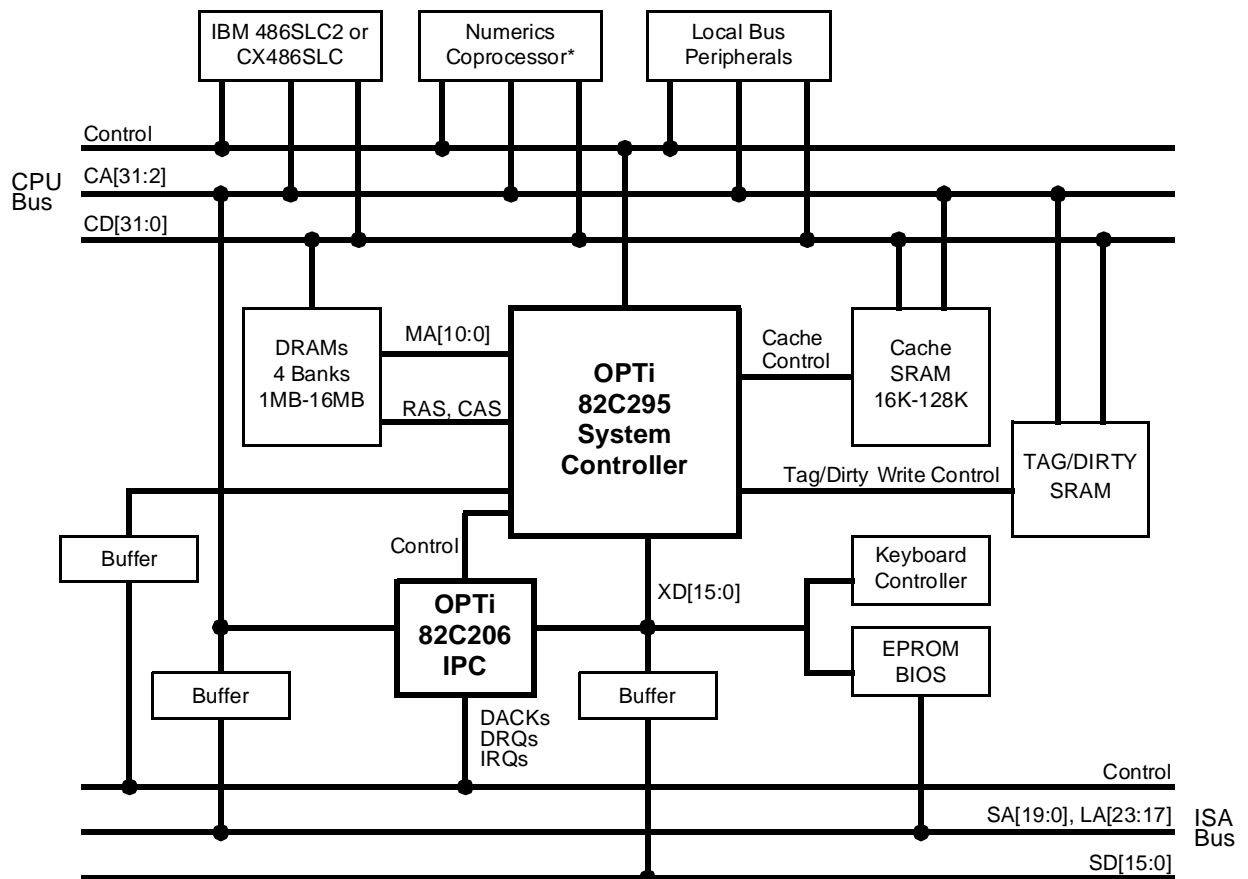


# SLCWB PC/AT Chipset

## 1.0 Features

- 100% IBM® PC/AT® compatible SX chipset
- Supports IBM 486SLC2 microprocessor
- Two chip PC/AT solution:
  - 82C295 System Controller, 160-pin PQFP (Plastic Quad Flat Package)
  - 82C206 Integrated Peripherals Controller, 84-pin PLCC (Plastic Leaded Chip Carrier)
- Supports systems running from 16 to 40MHz
- Write-back direct-mapped cache with programmable size selections: 16KB, 32KB, 64KB, 128KB
- Supports four banks of 256KB, 1MB, and 4MB page mode local DRAMs for configurations up to 16MB
- Two programmable non-cacheable regions
- Programmable cache and DRAM read/write cycles
- Cache coherency (for IBM SLC2) is achieved through discrete cycle/line invalidate bus snooping
- Hidden refresh, slow refresh, and CAS-before-RAS refresh supported
- Shadow RAM option for system and channel ROM BIOS
- High performance local bus support includes DMA/ISA master to local bus support
- Turbo/slow speed selection
- Synchronous AT bus clock with programmable clock division options: CLK2/4, /6, /8, or /10
- Zero or one wait state options for 16-bit AT bus cycles
- Transparent 8042 emulation for fast CPU reset and GATEA20 generation

**Figure 1-1 82C295/82C206-Based System Block Diagram**



\*Optional

## Features (Cont.)

- Supports the 80387SX numerics coprocessor
- Option for write protected, cacheable video BIOS
- Flash ROM support
- Combined system/video ROM support
- Low power, high speed 1.0-micron CMOS technology

## 2.0 Overview

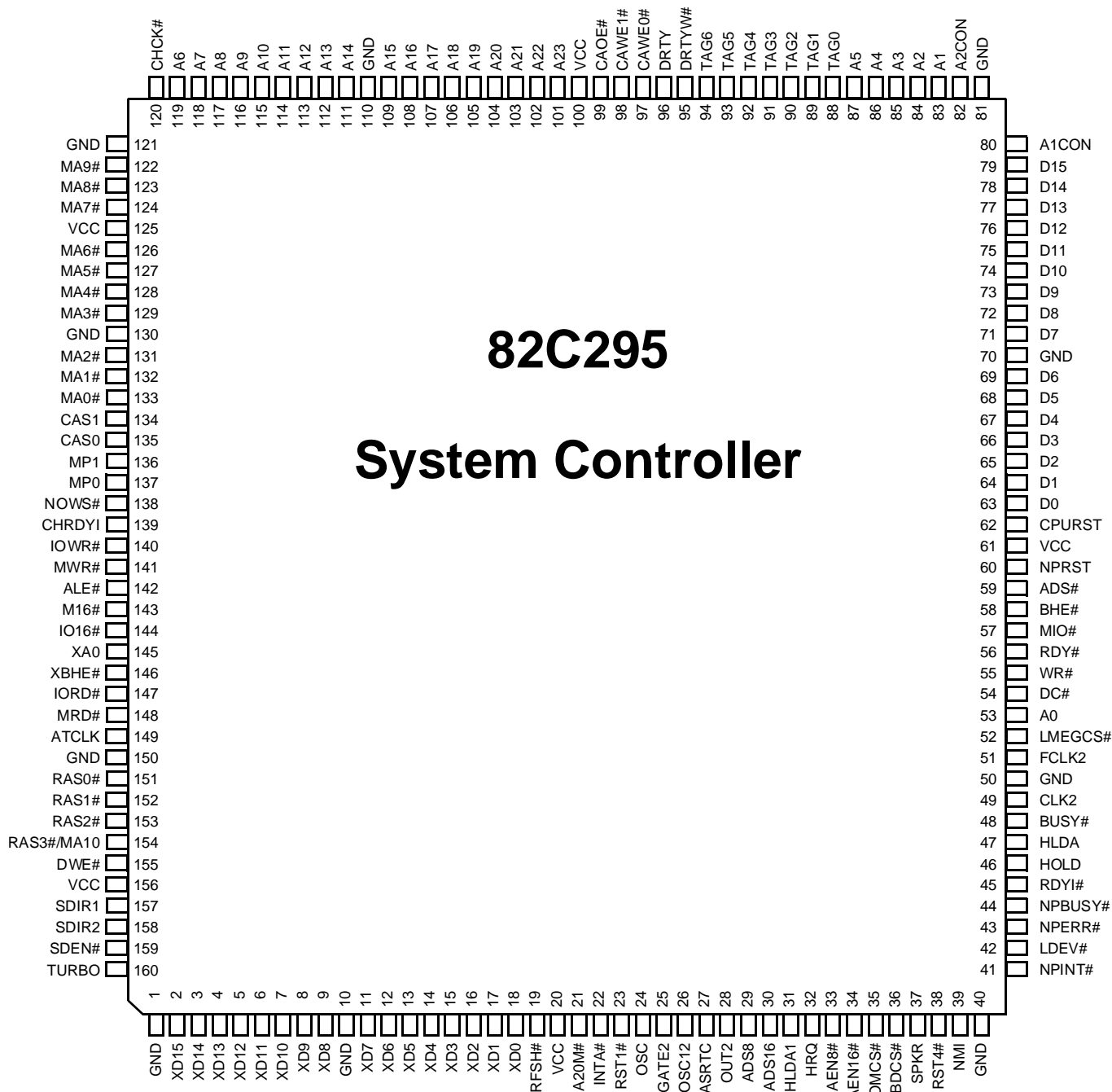
The OPTi SLCWB Chipset provides a highly integrated solution for fully compatible, high-performance PC/AT platforms. Since the chipset is so critical to the performance and cost structure of a PC, this highly integrated approach provides the foundation for a very cost effective platform without compromising performance. Together with OPTi's 82C206 Integrated Peripherals Controller (IPC), this silicon will support the IBM 486SLC2, Intel®/AMD® 386SX and Cyrix® CX486SLC microprocessors in the most cost effective and power efficient designs available today. This chipset offers optimum next generation performance for systems running up to 40MHz. The OPTi SLCWB solution provides the performance benefits of a 32-bit programming architecture with the cost savings associated with 16-bit hardware systems. The OPTi SLCWB Chipset provides a solution positioned to deliver value, without neglecting quality, compatibility, or reliability.

The 82C295 integrates a write-back cache controller, a local DRAM controller, the CPU state machine, the AT bus state machine, and data buffers all in a single 160-pin Plastic Quad Flat Pack (PQFP). On-chip hardware provides the hooks for local bus device support.

Refer to a data book supplied by a third party for information on the 82C206 Integrated Peripherals Controller (IPC).

### 3.0 Signal Definitions

Figure 3-1 Pin Diagram



**Table 3-1 Numerical Pin Cross-Reference**

Pin No.	Pin Name	Pin No.	Pin Name	Pin No.	Pin Name	Pin No.	Pin Name
1	GND	41	NPINT#	81	GND	121	GND
2	XD15	42	LDEV#	82	A2CON	122	MA9#
3	XD14	43	NPERR#	83	A1	123	MA8#
4	XD13	44	NPBUSY#	84	A2	124	MA7#
5	XD12	45	RDYI#	85	A3	125	VCC
6	XD11	46	HOLD	86	A4	126	MA6#
7	XD10	47	HLDA	87	A5	127	MA5#
8	XD9	48	BUSY#	88	TAG0	128	MA4#
9	XD8	49	CLK2	89	TAG1	129	MA3#
10	GND	50	GND	90	TAG2	130	GND
11	XD7	51	FCLK2	91	TAG3	131	MA2#
12	XD6	52	LMEGCS#	92	TAG4	132	MA1#
13	XD5	53	A0	93	TAG5	133	MA0#
14	XD4	54	DC#	94	TAG6	134	CAS1
15	XD3	55	WR#	95	DRTYW#	135	CAS0
16	XD2	56	RDY#	96	DRTY	136	MP1
17	XD1	57	MIO#	97	CAWE0#	137	MP0
18	XD0	58	BHE#	98	CAWE1#	138	NOWS#
19	RFSH#	59	ADS#	99	CAOE#	139	CHRDYI
20	VCC	60	NPRST	100	VCC	140	IOWR#
21	A20M#	61	VCC	101	A23	141	MWR#
22	INTA#	62	CPURST	102	A22	142	ALE#
23	RST1#	63	D0	103	A21	143	M16#
24	OSC	64	D1	104	A20	144	IO16#
25	GATE2	65	D2	105	A19	145	XA0
26	OSC12	66	D3	106	A18	146	XBHE#
27	ASRTC	67	D4	107	A17	147	IORD#
28	OUT2	68	D5	108	A16	148	MRD#
29	ADS8	69	D6	109	A15	149	ATCLK
30	ADS16	70	GND	110	GND	150	GND
31	HLDA1	71	D7	111	A14	151	RAS0#
32	HRQ	72	D8	112	A13	152	RAS1#
33	AEN8#	73	D9	113	A12	153	RAS2#
34	AEN16#	74	D10	114	A11	154	RAS3#/MA10
35	ROMCS#	75	D11	115	A10	155	DWE#
36	KBDCS#	76	D12	116	A9	156	VCC
37	SPKR	77	D13	117	A8	157	SDIR1
38	RST4#	78	D14	118	A7	158	SDIR2
39	NMI	79	D15	119	A6	159	SDEN#
40	GND	80	A1CON	120	CHCK#	160	TURBO

Table 3-2 Alphabetical Pin Cross Reference List

Pin Name	Pin No.	Pin Name	Pin No.	Pin Name	Pin No.	Pin Name	Pin No.
A0	53	CAWE0#	97	HOLD	46	RFSH#	19
A1	83	CAWE1#	98	HRQ	32	ROMCS#	35
A2	84	CHCK#	120	INTA#	22	RST1#	23
A3	85	CHRDYI	139	IOWR#	140	RST4#	38
A4	86	CLK2	49	IO16#	144	SDEN#	159
A5	87	CPURST	62	IORD#	147	SDIR1	157
A6	119	D0	63	KBDCS#	36	SDIR2	158
A7	118	D1	64	LDEV#	42	SPKR	37
A8	117	D2	65	LMEGCS#	52	TAG0	88
A9	116	D3	66	M16#	143	TAG1	89
A10	115	D4	67	MA0#	133	TAG2	90
A11	114	D5	68	MA1#	132	TAG3	91
A12	113	D6	69	MA2#	131	TAG4	92
A13	112	D7	71	MA3#	129	TAG5	93
A14	111	D8	72	MA4#	128	TAG6	94
A15	109	D9	73	MA5#	127	TURBO	160
A16	108	D10	74	MA6#	126	VCC	20
A17	107	D11	75	MA7#	124	VCC	61
A18	106	D12	76	MA8#	123	VCC	100
A19	105	D13	77	MA9#	122	VCC	125
A20	104	D14	78	MIO#	57	VCC	156
A21	103	D15	79	MP0	137	WR#	55
A22	102	DC#	54	MP1	136	XA0	145
A23	101	DRTY	96	MRD#	148	XBHE#	146
A1CON	80	DRTYW#	95	MWR#	141	XD0	18
A2CON	82	DWE#	155	NOWS#	138	XD1	17
A20M#	21	FCLK2	51	NMI	39	XD2	16
ADS#	59	GATE2	25	NPBUSY#	44	XD3	15
ADS8	29	GND	1	NPERR#	43	XD4	14
ADS16	30	GND	10	NPINT#	41	XD5	13
AEN8#	33	GND	40	NPRST	60	XD6	12
AEN16#	34	GND	50	OSC	24	XD7	11
ALE#	142	GND	70	OSC12	26	XD8	9
ASRTC	27	GND	81	OUT2	28	XD9	8
ATCLK	149	GND	110	RAS0#	151	XD10	7
BHE#	58	GND	121	RAS1#	152	XD11	6
BUSY#	48	GND	130	RAS2#	153	XD12	5
CAS0	135	GND	150	RAS3#/MA10	154	XD13	4
CAS1	134	HLDA	47	RDY#	56	XD14	3
CAOE#	99	HLDA1	31	RDYI#	45	XD15	2

# 82C295

## 3.1 Signal Descriptions

### 3.1.1 Clock and Reset Interface Signals

Signal Name	Pin No.	Signal Type	Signal Description
RST1#	23	I	<b>Reset 1:</b> This input reflects the “wired-OR” status of the external reset switch and Power Good status from the power supply to indicate a cold reset condition.
CPURST	62	O	<b>CPU Reset:</b> When active (high), this signal resets the CPU. CPURST is active in response to RST1#, keyboard fast reset emulation, or CPU shutdown cycles.
NPRST	60	O	<b>Numeric Coprocessor Reset:</b> This output resets the numeric coprocessor. This output is asserted along with CPU resets and on I/O writes to I/O Port F1h. NPRST is synchronized with CLK2 and must last for at least 40 clock cycles.
RST4#	38	O	<b>System Reset:</b> This active low signal is used as a system level reset which is output in response to the RST1# input signal. It resets the AT motherboard peripherals and is externally buffered and inverted to provide the RSTDRV signal to the AT bus.
CLK2	49	I	<b>Clock 2:</b> CLK2 is a master 2X clock which is used to drive all host CPU synchronous signals and the 82C295's internal state machines. CLK2 is also used by the cache/DRAM controller logic and to maintain the clock phase between the CPU and the 82C295.
FCLK2	51	I	<b>Fast Clock 2:</b> This is a fast (early) version of CLK2 used for generating the CPURST and NPRST output signals.
ATCLK	149	O	<b>AT Clock:</b> This output is derived by dividing the CLK2 input by the setting specified in the AT control register (Register 20h[1:0]). Possible settings include: CLK2/4, /6, /8, /10. ATCLK is externally buffered before being sent out to the AT bus.
OSC	24	I	<b>Oscillator:</b> This 14.31818MHz oscillator input monitors the AT bus frequency. It provides the clock source for the O1SC12 output. OSC must be externally buffered to provide adequate drive for the AT bus.
OSC12	26	O	<b>Oscillator divided by 12:</b> OSC is internally divided by 12 to provide this 1.19MHz output for use in the PC/AT counter/timer subsystem in the 82C206 Integrated Peripherals Controller.

### 3.1.2 CPU Interface Signals

Signal Name	Pin No.	Signal Type	Signal Description
A[23:17], A[7:0]	101:107, 118:119, 87:83, 53	I	<b>CPU Address Bus:</b> Address lines 23 through 17 and 7 through 0.
A[16:8]	108:109, 111:117	I/O	<b>CPU Address Bus:</b> Address lines 16 through 8. These signals are inputs except during DMA cycles. A[16:9] become outputs and convey DMA address 16-9 for 16-bit DMA cycles. A[15:8] become outputs and convey DMA address 15-8 for 8-bit DMA cycles.



## Signal Descriptions (Cont.)

Signal Name	Pin No.	Signal Type	Signal Description
BHE#	58	I/O	<b>CPU High Byte Enable:</b> This signal identifies the byte(s) involved in a data transfer. Its an input for CPU cycles and an output during DMA and master cycles.
D[15:0]	79:71, 69:63	I/O	<b>CPU Data Bus:</b> 16-bit wide data bus organized as two bytes.
MIO#	57	I/O	<b>Memory or I/O:</b> CPU memory or I/O access indication. This signal along with DC#, WR#, and BHE# comprise the primary bus definition signals used to decode the type of cycle in progress. (See Note below.)
DC#	54	I	<b>Data or Control:</b> CPU data or control status. This signal along with DC#, WR#, and BHE# comprise the primary bus signals used to decode the type of cycle in progress.
WR#	55	I/O	<b>Write or Read:</b> CPU write or read cycle status. This signal along with DC#, WR#, and BHE# comprise the primary bus signals used to decode the type of cycle in progress. (See Note below.)
ADS#	59	I/O	<b>Address Status:</b> An input from the CPU to indicate valid address and bus cycle definition is present on the bus. (See Note below.)
RDY#	56	I/O	<b>Ready:</b> This signal is driven to the CPU by the 82C295 or by a local bus peripheral to terminate the current bus cycle.

**Note:** ADS#, MIO#, and WR# are outputs during DMA/master cycles and serve two functions. Along with CA[23:4], these signals provide snooping information to the IBMSCL2; at the same time they serve as CPU/local control signals during non-CPU (local cycles).

## 3.1.3 Numeric Coprocessor Interface Signals

Signal Name	Pin No.	Signal Type	Signal Description
NPERR#	43	I	<b>Numeric Coprocessor Error:</b> This input is driven by the coprocessor to indicate an error condition when an unmasked exception occurs. It is used internally to generate NPINT# (IRQ13), and BUSY# to the CPU. Additionally, if active after a reset, it indicates the presence of a coprocessor.
NPBUSY#	44	I	<b>Numeric Coprocessor Busy:</b> This input is connected to the coprocessor's BUSY# output and is used internally to generate NPINT and BUSY# to the CPU.
BUSY#	48	O	<b>Busy:</b> This signal is active when the coprocessor is busy or when a coprocessor error has occurred. It is also toggled if a coprocessor is not installed and the CPU issues a coprocessor instruction.
NPINT#	41	O	<b>Numeric Coprocessor Interrupt:</b> This output is generated when a numeric coprocessor error occurs. It is connected to IRQ13 of the interrupt controller.
RDYI#	45	I	<b>Local Device Ready Input:</b> This input is driven directly by the coprocessor or a local bus device to signal termination of its cycle. This signal is synchronized before being sent to the CPU on the RDY# line. Synchronization requires one T-state.

## Signal Descriptions (Cont.)

Signal Name	Pin No.	Signal Type	Signal Description
LDEV#	42	I	<b>Local Device:</b> Local devices may drive this input to indicate that they are responding to the current cycle. This signal is sampled at the end of the first T2.

### 3.1.4 Cache Control Interface Signals

Signal Name	Pin No.	Signal Type	Signal Description
CAOE#	99	O	<b>External Cache Output Enable:</b> External cache memory output enable control signal.
CAWE[1:0]#	98, 97	O	<b>External Cache Write Enables 1 and 0:</b> Each of these external cache write enable strobes corresponds to one byte of data.
DRTYW#	95	O	<b>Tag/Dirty RAM Write Enable:</b> This control strobe is used to update the Tag/Dirty RAM with the new tag/dirty bits of the accessed cache line during external cache read miss cycles.
TAG[6:0]	94:88	I/O	<b>Tag RAM Data Bits 6 through 0:</b> These input signals become outputs whenever DRTYW# is activated to write new tags to the tag RAM.
DRTY	96	I/O	<b>Dirty Bit:</b> This signal represents the dirty bit of the tag RAM used to indicate whether a cache line has been overwritten. Normally an input, this signal becomes an output when DRTYW# is activated.
A1CON	80	O	<b>A1 Control:</b> Cache address A1 toggle control.
A2CON	82	O	<b>A2 Control:</b> Cache address A2 toggle control.

### 3.1.5 Local DRAM Interface Signals

Signal Name	Pin No.	Signal Type	Signal Description
DWE#	155	O	<b>DRAM Write Enable:</b> This signal is typically buffered externally before connection to the WE# input of the DRAMs.
CAS[1:0]	134, 135	O	<b>Column Address Strobes 1 and 0:</b> The CAS[1:0] outputs correspond to the high and low bytes of each DRAM bank. CAS0 to the low byte of each DRAM bank. CAS1 to the high byte of each DRAM bank.
RAS[2:0]#	153:151	O	<b>Row Address Strobes 2 through 0:</b> Each RAS# signal corresponds to a unique DRAM bank. These signals are typically buffered externally before connection to the RAS# input of the DRAMs.
RAS3#/MA10	154	O	<b>RAS3# or Memory Address 10:</b> This pin is multiplexed for use as RAS3# or MA10. 4M DRAM (which uses MA10) is not supported in bank three when RAS3# would be required.
MA[9:0]#	122:124, 126:129, 131:133	O	<b>Memory Address Bus:</b> Multiplexed row/column address lines to the DRAM.
MP[1:0]	136, 137	I/O	<b>Memory Parity Bus:</b> DRAM parity, one for each data byte.



## Signal Descriptions (Cont.)

### 3.1.6 Bus Arbitration Interface Signals

Signal Name	Pin No.	Signal Type	Signal Description
HRQ	32	I	<b>Hold Request:</b> DMA or master cycle request from the 82C206 IPC.
HOLD	46	O	<b>CPU Hold Request:</b> This output is connected to the HOLD input of the CPU. This signal requests that the CPU allow another bus master complete control of its buses. In response to HOLD going active, the CPU will float most of its output and I/O pins; then it will assert HLDA.
HLDA	47	I	<b>Hold Acknowledge:</b> This input is connected to the HLDA output from the CPU. This signal goes active in response to a hold request presented on the CPU HOLD pin. It indicates that the CPU has relinquished bus control to another local bus master.
HLDA1	31	O	<b>Hold Acknowledge 1:</b> This output indicates a hold acknowledge in response to a DMA or master hold request. It is connected to the HLDA pin of the 82C206.
ADS8	29	I	<b>8-Bit DMA Transfer Address Strobe:</b> The system controller uses this signal to latch XD[7:0] and pass them on to the A[15:8] lines.
AEN8#	33	I	<b>8-Bit Address Enable:</b> The system controller monitors this signal to decode 8-bit DMA cycles.
ADS16	30	I	<b>16-Bit DMA Transfer Address Strobe:</b> The system controller uses this signal to latch XD[7:0] and pass them on to the A[16:9] lines.
AEN16#	34	I	<b>16-Bit Address Enable:</b> The system controller monitors this signal to decode 16-bit DMA cycles.

### 3.1.7 AT Bus Interface Signals

Signal Name	Pin No.	Signal Type	Signal Description
XA0	145	I/O	<b>System Address XA0:</b> This signal is an output except during master or 8-bit DMA cycles when it serves as an input.
CHRDY	139	I	<b>Channel Ready:</b> This is an input from the AT bus which is pulled low (not ready) by a slow memory or I/O device to lengthen memory or I/O cycles. Any slow device using this line should drive it low immediately upon detecting its valid address and a read/write command.
NOWS#	138	I	<b>Zero Wait State:</b> This input signal from the AT bus tells the 82C295 that it can complete the current cycle without inserting any additional wait states.
IO16#	144	I	<b>16-Bit I/O Slave:</b> AT bus signal to indicate a 16-bit I/O slave is responding.
M16#	143	I/O	<b>16-Bit Memory Slave:</b> AT bus signal to indicate a 16-bit memory slave is responding. Normally an input, this signal becomes an output when a master accesses local memory.
A20M#	21	O	<b>Address Bit 20 Mask:</b> An input to the IBM SLC2's A20M#.
IORD#	147	I/O	<b>AT I/O Read:</b> Normally an output, this pin becomes an input during master and DMA cycles.



## Signal Descriptions (Cont.)

Signal Name	Pin No.	Signal Type	Signal Description
IOWR#	140	I/O	<b>AT I/O Write:</b> Normally an output, this pin becomes an input during master and DMA cycles.
MRD#	148	I/O	<b>AT I/O Memory Read:</b> Normally an output, this pin becomes an input during master and DMA cycles.
MWR#	141	I/O	<b>AT I/O Memory Write:</b> Normally an output, this pin becomes an input during master and DMA cycles.
LMEGCS#	52	O	<b>Low Meg Chip Select:</b> Active when area below 1M is accessed.
ALE#	142	O	<b>Address Latch Enable:</b> ALE# indicates the start of an AT cycle and is externally buffered before connection to the AT bus. It is high during non-CPU cycles.
XBHE#	146	I/O	<b>System Byte High Enable:</b> Indicates a transfer on the upper byte of the AT data bus SD[15:8]. Normally an output, this pin becomes an input during master cycles.
INTA#	22	O	<b>Interrupt Acknowledge:</b> The 82C295 System Controller drives this signal to acknowledge an interrupt cycle.
ROMCS#	35	O	<b>System BIOS ROM Chip Select:</b> The system BIOS can be accessed as either an 8- or 16-bit device based on M16# input status. For CPU accesses, ROMOE# is active from the end of the first T2 until one-half of a T-state after the last T2. For non-CPU accesses, ROMCS# is active along with MEMRD#.
XD[15:0]	2:9, 11:18	I/O	<b>System Data Bus:</b> These signals are typically used as the data bus for on-board peripherals. A buffer is required between this bus (XD bus) and the AT data bus (SD bus). SDIR1, SDIR2, and SDEN# control this buffer logic.
SDIR1	157	O	<b>SD Bus Low Byte Direction Control:</b> This signal controls the direction of the low byte, XD[7:0], between the XD and the SD bus. When this signal is high, the buffer points from the XD bus to the SD bus.
SDIR2	158	O	<b>SD Bus High Byte Direction Control:</b> This signal controls the direction of the high byte, XD[15:8], between the XD and the SD bus. When this signal is high, the buffer points from the XD bus to the SD bus.
SDEN#	159	O	<b>AT Data Bus Buffer Enable:</b> This signal controls the output enable of the SD/XD bus buffers. It is enabled for CPU accesses to the AT bus.
CHCK#	120	I	<b>AT Bus Channel Check:</b> This signal provides the system with parity information about memory or devices on the AT bus. It indicates a non-correctable system error and is one of the sources used to generate a CPU NMI.
RFSH#	19	I/O	<b>Refresh:</b> Normally this is an output to indicate AT refresh cycles; it becomes an input signal for DMA or master cycles. The refresh interrupt request comes from the 8254 (integrated within the 82C206) via the OUT1 pin. In a PC/AT compatible design, TIMER1 (8254) is programmed as a rate generator to produce a 15.9µs periodic signal used for interrupt request for refresh cycles. If slow refresh DRAMs are being used, this period may be programmed to 63.6µs.

### 3.1.8 Miscellaneous Signals



## Signal Descriptions (Cont.)

Signal Name	Pin No.	Signal Type	Signal Description
TURBO	160	I	<b>Turbo Mode Selection:</b> Normal (turbo) mode is maintained when this pin is asserted (high). Non-turbo mode is entered when this input is deasserted, keeping the CPU in its HOLD state for approximately two-thirds of the time.
KBDCS#	36	O	<b>Keyboard Controller Chip Select:</b> The 82C295 System Controller decodes accesses to the keyboard controller and issues this chip select signal when necessary.
NMI	39	O	<b>Non-Maskable Interrupt:</b> It is activated when a parity error from a local memory read is detected or when the CHCK# signal from the AT bus is asserted (and the corresponding control bit in Port B is also enabled).
GATE2	25	O	<b>Timer 2 Gate Control:</b> This signal is used as the gate 2 input (for counter 2) into the 8254 counter/timer logic of the 82C206 integrated peripherals controller. In a PC/AT compatible design, counter 2 is used for tone generation for the speaker.
SPKR	37	O	<b>Speaker Data:</b> SPKD is a function of OUT2 and Port 61h, bit 1.
OUT2	28	I	<b>Timer 2 Output:</b> This signal, from the timer 2 output of the 8254 compatible circuit in the 82C206, is used as an input for the speaker data logic.
ASRTC	27	O	<b>Real Time Clock (RTC) Address Strobe</b>

## 3.1.9 Power and Ground Pins

Signal Name	Pin No.	Signal Type	Signal Description
GND	1, 10, 40, 50, 70, 81, 110, 121, 130, 150	I	Ground Connection
VCC	20, 61, 100, 125, 156	I	<b>Power Connection:</b> +5.0V

## 4.0 Functional Description

The 82C295 integrates a write-back cache controller, a local DRAM controller, the CPU state machine, the AT bus state machine, and data buffers into a single 160-pin PQFP. The following is a functional description of these logical units.

### 4.1 CPU Interface

The 386SX microprocessor is a 32-bit CPU with a 16-bit external data bus and a 24-bit external address bus. The 82C295 CPU interface monitors and relays each CPU cycle to the appropriate control unit within the 82C295 and returns the READY signal back to the CPU when the cycle is completed. RDY# is also generated for each access to/from host/AT memory during DMA/ISA master cycles.

#### 4.1.1 IBM 486SLC Bus Snooping Support

The 486SCL2 on-board cache must maintain coherency with the memory external to the part. If alternate bus masters have control of the bus and are updating system memory, the on-board (L1) cache must snoop these bus master cycles. Asserting ADS# during a bus master (DMA/ISA master/local master) cycle forces the IBM 486SLC2 to examine the present external address bus to see if it is contained in its internal cache. If this address is within the internal cache, its cache entry is invalidated (full 16-byte line). In addition to ADS#, the 82C295 drives the WR# and MIO# signals during these invalidation snoop cycles. Local bus masters will drive these same signals when they control the bus.

### 4.2 Reset Logic

The RST1# input to the 82C295 is used to generate the CPU reset (CPURST), the numerics coprocessor reset (NPRST), and the system reset (RST4#) signals. RST1# is a "cold reset" which is generated when either PWRGD goes low (from the power supply, indicating a low power condition) or the system reset button is activated. This reset signal is used to force the system to begin execution at a known state.

When RST1# is sensed active, the 82C295 will assert CPURST, NPRST, and RST4#. The trailing edge of these reset signals must coincide with CPU T-state phase two; this synchronizes the phase among the CPU, numerics coprocessor, and the 82C295. CPURST is also generated when a shutdown condition is detected from the CPU bus definition signals. Reset signals are asserted for (128) CLK2 cycles.

The 82C295 emulates the keyboard controller reset function. The keyboard reset is intercepted by monitoring the I/O write cycle "FE" command to Port 64h. This fast CPU reset from the chipset will be generated directly after the I/O write is decoded unless bit 5 of Index Register 21h is enabled, in which case the reset will not start until a "HALT" instruction is executed.

When configured to interface with an 80387SX numerics coprocessor, the 82C295 will generate the NPRST signal when the CPURST is activated, or if an I/O write to F1h is issued.

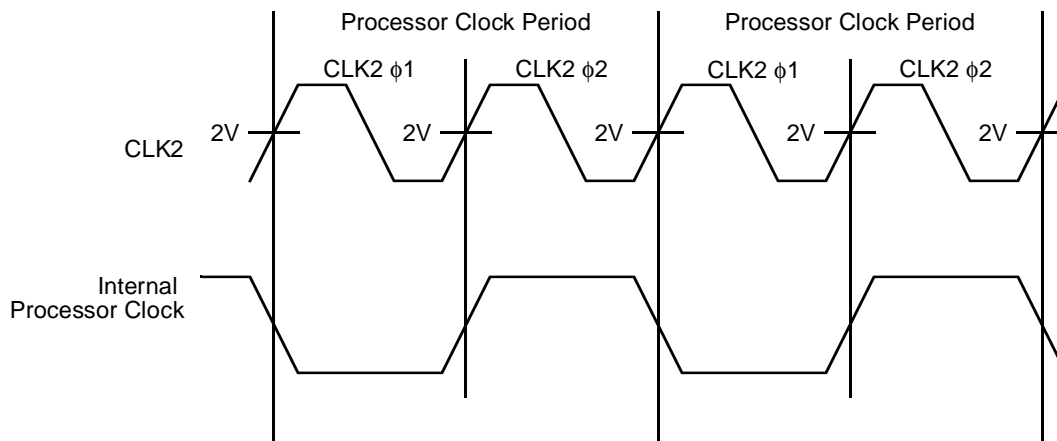
### 4.3 System Clock Generation

The 82C295 has two high frequency clock inputs, FCLK2 and CLK2. This clocking scheme provides support for all 386SX platforms at speeds up to 80MHz (40MHz system speed).

FCLK2 is a fast (early) version of the 2X clock used in the generation of CPURST and NPRST.

CLK2 provides the fundamental timing for the 82C295 and the CPU. The 80386SX CPU divides this clock by two internally to generate the internal processor clock used for instruction execution. The internal clock is comprised of two phases, "phase 1" and "phase 2". Each CLK2 period is a phase of the internal clock. Figure 1-2 illustrates the relationship. The phase of the internal processor clock can be synchronized to a known phase by controlling the falling edge of the CPURST signal.

Figure 4-1 CLK2 Phase Relationship



CLK2 is a master 2X clock which is used to drive all host CPU synchronous signals and the 82C295's internal state machines. CLK2 is also used by the cache/DRAM controller logic and to maintain the clock phase between the CPU and the 82C295.

The 82C295 generates the AT bus clock (ATCLK) from an internal division of CLK2. The ATCLK frequency is programmable and can be set to any of four clock division options by programming bits [1:0] of Index Register 20h. This allows the system designer to tailor the AT bus clock frequency to support a wide range of system designs and performance platforms.

OSC is the 14.318MHz oscillator input used to generate the OSC/12 (timer output) clock to the 82C206. The OSC signal is also buffered externally for use on the AT bus.

#### 4.4 Write-Back Cache Subsystem

The integrated write-back cache controller dramatically boosts the overall performance of the local memory subsystem. The write-back cache scheme derives its superior performance by optimizing write cycles. There is no performance penalty in the cache write cycle, since the cache controller does not need to wait for the much slower DRAM controller to finish its cycle before proceeding to the next. The write-back algorithm conventionally provides up to 10% performance enhancement over a write-through scheme, although various operating systems and applications will perform differently.

Cache memory can be configured as one or two banks, and sizes of 16K, 32K, 64K, and 128K are supported. Provisions for two programmable non-cacheable regions are provided. The cache controller operates in non-pipeline mode with a fixed 8-byte line size in order to simplify motherboard design without increasing cost or degrading system performance.

The cache write scheme for DMA and bus master cycles is always write-through because typical DMA and bus master cycles are slow enough to allow time to update DRAM. Using a write-back policy on these cycles would result in unnecessarily paying a read miss penalty.

##### 4.4.1 TAG RAM

A built-in tag comparator improves system performance while reducing component count on the system board. The comparator internally detects the cache hit/miss status by comparing the high-order address bits (for the memory cycle in progress) with the stored tag bits from previous cache entries. When a match is detected, and the location is cacheable, a cache hit cycle takes place. If the comparator does not detect a match, or a non-cacheable location is accessed (based on the internal non-cacheable region registers and the shadow control registers), the cycle is a cache miss.

The following table details which CPU address bits are stored as tags for the various cache sizes supported in the 82C295.

**Table 4-1 TAG and CPU Address**

Tag Bit	Cache Size and Associated CPU Address			
	16K	32K	64K	128K
6	A20	A20	A20	A20
5	A19	A19	A19	A19
4	A18	A18	A18	A18
3	A17	A17	A17	A17
2	A16	A16	A16	A23
1	A15	A15	A22	A22
0	A14	A21	A21	A21

### 4.4.2 Dirty Bit

The “dirty bit” is a mechanism for monitoring coherency between cache memory and the system DRAM. Each tag entry has a corresponding dirty bit to indicate whether the data in that cache line has been modified since it was loaded from system memory. This allows the 82C295 to determine whether the data in DRAM memory is “stale” and needs to be updated before a new memory location is allowed to overwrite the currently indexed cache entry. The write-back cycle causes an entire cache line (eight bytes) to be written back to memory, followed by a line import from the new memory location into the cache (the last two bytes of this 8-byte cache line are concurrently provided to the CPU). Normally, the performance advantage of completing fast writes to the cache outweighs the “write-back” read miss penalties which are incurred while operating under the write-back scheme.

### 4.4.3 Non-Cacheable Areas

The 82C295 supports two programmable non-cacheable blocks in Configuration Registers 2Ah, 2Bh, and 2Ch. In addition to these blocks, Register 28h[5], when enabled, will cause all memory accesses to be non-cacheable and Register 28h[4], when enabled, renders the area from 640K-1M (A0000h-FFFFFFh) non-cacheable. A summary of all non-cacheable areas is defined below:

- The I/O address space.
- The memory address space A0000h-B0000h (video memory).
- The memory address beyond the configured local DRAM memory.
- The two programmable non-cacheable blocks defined in registers 2Ah, 2Bh, and 2Ch.

- Halt/shutdown cycles.
- The 256K remapped area.
- C0000h-FFFFFFh block unless both read/write shadowed and non-write protected are enabled.
- The FE0000h-FFFFFFh block.
- All memory accesses if Configuration Register 28h[5] is enabled.
- 640K-1M (A0000h-FFFFFFh) if Configuration Register 28h[4] is enabled.

### 4.4.4 Cache Cycles

#### 4.4.4.1 Cache Read Hit

The secondary cache provides data to the CPU.

#### 4.4.4.2 Cache Read Miss (Dirty Bit Negated)

The cache controller does not need to update system memory with the cache's current data, because that data has not been modified (evidenced by the Dirty bit negation). The cache controller asserts DRTYW#, causing the tag RAMs to update with the new address, and asserts CAWE[1:0]#, causing cache memory to update with new data from DRAM.

#### 4.4.4.3 Cache Read Miss (Dirty Bit Asserted)

The cache controller must update the system memory with data from the cache location that is going to be overwritten because the system DRAM contains “stale” data. The controller writes the 8-byte line from cache memory into DRAM, then reads the new line from DRAM into the cache memory and deasserts the dirty bit. The cache controller asserts CAWE[1:0]#, and DRTYW#. This new data is also presented to the CPU.

#### 4.4.4.4 Cache Write Hit

Because this is a write-back cache, the cache controller does not need to update the much slower DRAM memory. Instead, the controller updates the cache memory and sets the Dirty bit. DIRTY may already be set, but that does not affect this cycle. The contents of the tag RAM remains unmodified.

#### 4.4.4.5 Cache Write Miss

The cache controller bypasses the cache entirely and writes the data directly into DRAM. DIRTY is unchanged.

Table 4-2 Cache SRAM Requirements

Cache Size (Kb)	Tag Field Address Tag/ Dirty SRAM	Cache SRAM Address Cache SRAMs	Cacheable Main Memory (MB)
16	A[20:14] 8Kx8	A[13:1] (2) 8Kx8	2
32	A[21:15] 8Kx8	A[14:1] (4) 8Kx8	4
64	A[22:16] 8Kx8	A[15:1] (2) 32Kx8	8
128	A[23:17] (2) 8Kx8	A[16:1] (4) 32Kx8	16

Table 4-3 SRAM Speed Requirements

System Speed (Osc. Freq.)	Cache Data SRAMs	Tag/Dirty SRAMs	DRAM
16MHz (32MHz)	35ns	25ns	70ns
20MHz (40MHz)	35ns	25ns	70ns
25MHz (50MHz)	35ns*	20ns	70ns
33MHz (66MHz)	20ns	15ns	70ns
40MHz (80MHz) (1ws only)	15ns	12ns	70ns

**Note:** The above recommended speed parts (or faster) may be used. DRAM and cache cycles are at their minimum programmable wait states.  
\*35ns SRAMs with a write pulse width of 20ns or less are required. Otherwise use 30/25ns SRAMs.

## 4.5 Local DRAM Control System

The 82C295 supports up to four banks of page mode local DRAM memory for configurations of up to 16MB. 256KB, 1MB, and 4MB page mode DRAM devices may be used. The memory configuration and cycle performance are programmable through Configuration Register 22h.

Table 4-4 illustrates the DRAM configurations supported.

Table 4-4 DRAM Configuration Table

Bank 0	Bank 1	Bank 2	Bank 3	Total
256K	256K	X	X	1M
256K	256K	256K	256K	2M
1M	X	X	X	2M
256K	256K	1M	X	3M
1M	1M	X	X	4M
256K	256K	1M	1M	5M
1M	1M	1M	X	6M
1M	1M	1M	1M	8M
4M	X	X	X	8M
256K	256K	4M	X	9M
1M	4M	X	X	10M
1M	1M	4M	X	12M
4M	4M	X	X	16M

### 4.5.1 CPU Address to MA Bus Mapping

Table 4-5 details the DRAM multiplexed addresses for all DRAM types supported.

Table 4-5 MA Bus Mapping

Memory Address	256K		1M		4M	
	Col	Row	Col	Row	Col	Row
MA0	A1	A10	A1	A20	A1	A20
MA1	A2	A11	A2	A11	A2	A22
MA2	A3	A12	A3	A12	A3	A12
MA3	A4	A13	A4	A13	A4	A13
MA4	A5	A14	A5	A14	A5	A14
MA5	A6	A15	A6	A15	A6	A15
MA6	A7	A16	A7	A16	A7	A16
MA7	A8	A17	A8	A17	A8	A17
MA8	A9	A18	A9	A18	A9	A18
MA9			A10	A19	A10	A19
MA10					A11	A21

## 4.5.2 Parity Generation/Detection Logic

During local DRAM write cycles, the 82C295 generates a parity bit for each byte of write data from the processor. Parity bits are stored into local DRAM along with each data byte. During a DRAM read, the parity bit is checked for each data byte. If the logic detects incorrect parity, the 82C295 will generate a parity error to the CPU. The parity error will invoke the NMI interrupt, providing the parity check bit is set to 0 in Configuration Register 21h[0]. Parity check must also be enabled in the Port B (61h) Register, bits [3:2].

## 4.6 Refresh Logic

The 82C295 supports both normal and hidden refresh. Normal refresh refers to the classical refresh implementation which places the CPU in "hold" while a refresh cycle takes place to both the local DRAM and any AT bus memory. This is the default condition at power-up. However, hidden refresh is performed independent of the CPU and does not suffer from the performance restriction of losing processor bandwidth by forcing the CPU into its hold state. Hidden refresh delivers higher system performance and is recommended over normal refresh. As long as the CPU does not try to access local memory or the AT bus during a hidden refresh cycle, refresh will be transparent to the CPU. The CPU can continue to execute from the secondary cache as well as execute internal instructions during hidden refresh without any loss in performance due to refresh arbitration. If a local memory or AT bus access is required during hidden refresh, wait states will be added to the CPU cycle until the resource becomes available. Hidden refresh also separates refreshing of the AT bus and local DRAM. The DRAM controller arbitrates between CPU DRAM accesses and DRAM refresh cycles, while the AT bus controller arbitrates between CPU accesses to the AT bus, DMA, and AT refresh. The AT bus controller asserts the RFSH# and MEMR# commands and outputs the refresh address during AT bus refresh cycles.

The 82C295 implements refresh cycles to the local DRAM using CAS-before-RAS timing. CAS-before-RAS refresh has lower power consumption than RAS-only refresh, which is important when dealing with large memory arrays. CAS-before-RAS refresh is used for both normal and hidden refresh to local memory.

The output of timer 1 (OUT1) inside the 82C206 is programmed as a rate generator to produce the periodic refresh request signal which occurs every 15.9 $\mu$ s. By programming Configuration Register 20h[3], slow refresh is enabled which will further divide the 15.9 $\mu$ s period by four to provide a 63.6 $\mu$ s "slow refresh" interval (slow refresh DRAMs must be used with the slow refresh feature).

## 4.7 Shadow RAM

Since accesses to local DRAM are much faster than those to EPROM, the 82C295 provides shadow RAM capability. With this feature, code from slow devices like ROM and EPROM memories can be copied to local DRAM to speed up memory accesses. Accesses to the specified EPROM space are redirected to the corresponding DRAM location. Shadow RAM addresses range C0000h-FFFFFh. 16K granularity is provided for the address range C0000h-EFFFFh, while the 64K range from F0000h-FFFFFh (the location of system BIOS) is shadowable as an entire segment.

System BIOS, the F0000h-FFFFFh segment, may be shadowed if programmed. The default is AT ROM cycles for read, and local DRAM cycles for writes. If Configuration Register 23h[6] is set to 0, then both read/write will go to local DRAM.

The channel ROM BIOS, C0000h-EFFFFh segments, may also be shadowed if programmed. The default is AT cycles for both read and write accesses. Configuration Registers 26h, 25h, and 24h are used to enable read and write shadow RAM for the C/D/E0000 segments respectively. When enabled, each 16KB block access will be redirected to local DRAM. The ROMCS# output can be generated for the C/D/E0000 blocks if both read and write shadow RAM are disabled and the corresponding ROMCS# in Configuration Register 23h is enabled. Thus, a single ROM for system and video BIOS may be implemented. Register 23h[7] may be used to enable ROMCS# generation for write cycles to support flash ROM devices.

Shadowed RAM write protect is provided in Register 27h[7:4]. If both read and write shadowed RAM are enabled, while global NCA (non-cacheable address) (28h[5:4]) are disabled, and write protect is disabled in register 27h, then these areas become cacheable areas for the 82C295 write-back cache controller.

If the shadowed RAM feature is not utilized for the memory between D0000h and EFFFFh, then memory remapping is allowed. When memory remapping is enabled, the local DRAM areas A0000h-B0000h and D0000h-EFFFFh, a total of 256K, may be remapped to the top of system memory. The system BIOS (F0000h-FFFFFh) and video BIOS (C0000h-CFFFFh) areas remain there for shadow RAM and may not be remapped. The memory remap starting address must be defined in Configuration Register 27h[3:0].

## 4.8 AT Bus State Machine

The AT bus state machine gains control when the 82C295's decoding logic detects a non-local memory cycle. It monitors status signals M16#, I016#, CHRDY and N0WS# and performs the necessary synchronization of control and status signals between the AT bus and the microprocessor. The 82C295 supports 8- and 16-bit memory and I/O devices located on the AT bus.



An AT bus cycle is initiated by asserting ALE in AT-TS1 state. On the trailing edge of ALE, M16# is sampled for a memory cycle to determine the bus size. It then enters AT-TC state and provides the command signal. For an I/O cycle, IO16# is sampled after the trailing edge of ALE until the end of the command. Typically, the wait state for an AT 8/16-bit transaction is 5/1 respectively. The command cycle is extended when CHRDY is pulled low (not ready), or the cycle is terminated when zero wait state request signal (NOWS#) from the AT bus is active. Upon expiration of the wait states, the AT state machine terminates itself and passes internal READY to the CPU state machine for outputting synchronous RDY# to the CPU. Index Register 21h[4] allows for the addition of an AT cycle wait state; bit 6 of this same register allows for a single ALE generation instead of multiple ALEs during bus conversion cycles. The AT bus state machine also; routes data and address when an AT bus master or DMA controller accesses memory.

## 4.9 Bus Arbitration Logic

The 82C295 provides arbitration between the CPU, DMA controller, AT bus masters, and refresh logic. During DMA and AT bus master cycles, the 82C295 asserts HOLD to the CPU. The CPU will respond to an active HOLD signal by generating HLDA (after completing its current bus cycle) and placing most of its output and I/O pins into a high impedance state. After the CPU relinquishes the bus, the 82C295 responds by issuing RFSH# (refresh cycle) or HLDA1 (AT bus master or DMA cycle), depending on the requesting device. During hidden refresh, HOLD remains negated and the CPU continues its current program execution as long as it services internal requests or achieves cache hits (see Section 4.6, Refresh Logic).

The AT bus controller in the 82C295 arbitrates between hold and refresh requests, deciding which will own the bus once the CPU relinquishes control with the HLDA signal. The arbitration between refresh and DMA/master is based on a FIFO (first in-first out) priority. However, a refresh request (RFSH#) will be internally latched and serviced immediately after DMA/master finishes its request if queued behind HRQ. HRQ must remain active to be serviced if refresh request comes first. DMA and bus masters share the same request pin HRQ. The 82C295 will generate a HLDA1 back to the requesting device (82C206) when the CPU confirms free bus status. During an active HLDA1 period, the way to distinguish between DMA and bus master requests is to monitor the AEN8# and AEN16# signals. AEN8#/AEN16# active indicates a 8/16-bit DMA transfer, while these signals are inactive when an external bus master controls the system bus.

## 4.10 Numeric Coprocessor Cycles (NPU)

The 82C295 monitors NPERR# and NPBUSY# to provide support for 387SX coprocessors. The coprocessor asserts

NPERR# during a power-on reset to indicate its presence. The coprocessor asserts NPBUSY# while executing a floating-point calculation, and asserts RDYO# when it is finished. If NPBUSY# is active and a coprocessor error occurs (the coprocessor asserts NPERR#) the 82C295 latches NPBUSY# and generates INT13. Latched BUSY# and INT13 can be cleared by an I/O Port F0h write command. If the NPU is not installed, the 82C295 treats any access to the NPU address space as an AT cycle. With the coprocessor in place, CPU accesses to the NPU address space are direct, except for the re-synchronizing of the numerics coprocessor ready signal (RDYI#) before sending it back to the CPU.

## 4.11 System ROM BIOS Cycles

The 82C295 supports both 8- and 16-bit EPROM cycles. If the system BIOS is 16 bits wide, ROMCS# should be connected to M16# through an open collector gate indicating to the 82C295 that a 16-bit EPROM is responding. The system BIOS resides on the XD bus. The XD to SD data buffer is enabled (SDEN# active) except during I/O cycles at addresses below 100h (byte-wide I/O), INTA cycles, and 8-bit ROM BIOS cycles.

## 4.12 Local Bus Interface

The 82C295 allows select peripheral devices to share the "local bus" with the CPU and numerics coprocessor. The performance of these devices (which may include video sub-systems, hard disk adapters, or other PC/AT controllers) will dramatically increase when allowed to operate in this high-speed environment. These local devices are responsible for their own address and bus cycle decode and must be able to operate compatibility at the elevated frequencies required for operation on the local CPU bus.

The LDEV# input signal to the 82C295 indicates that a local device is intercepting the current cycle. If this signal is sampled at the end of the first T2 clock cycle, then the 82C295 will allow the responding local device to assume responsibility for the current local cycle. There are two types of local devices. The first type (which includes the 387SX) has its RDY# output connected to RDYI# of the 82C295. RDYI# is then synchronized by the 82C295 before being sent to the CPU as RDY#. The second type includes those devices having their RDY# output signals connected directly to that of the CPU. All local devices of the second type must pull LDEV# active to signify that they are the target cycle.

The 82C295 also supports DMA/ISA master to local bus cycles by decoding the ISA commands to generate the appropriate CPU/local bus commands.

## 4.13 Data Bus Conversion/Data Path Control Logic

The 82C295 performs data bus conversion when the CPU accesses 16- or 8-bit devices through 32- or 16-bit instructions. It also handles DMA and AT master cycles that transfer data between local DRAM or cache memory and locations on the AT bus. The 82C295 provides all of the signals to control external bidirectional data buffers.

## 4.14 Turbo/Slow Mode Operation

The turbo mode is controlled through the TURBO input pin to the 82C295. The system will operate at full speed if the TURBO pin is asserted high and non-turbo (slow) mode when the TURBO input is pulled low. Slow mode operation is implemented by applying a periodic clock to the HOLD input of the microprocessor. OSC12 is the clock source used. OSC12 is internally derived from the 14.31818MHz OSC clock input to the 82C295. The hold is maintained approximately two-thirds of the time, while the CPU is allowed to process external demands in the remaining one-third interval. For system design, the TURBO pin should be pulled high through a 10K resistor.

## 4.15 Keyboard Fast GATEA20 and CPU RESET Emulation

The 82C295 will intercept commands to Ports 60h and 64h so that it may emulate the keyboard controller, allowing the generation of the fast GATEA20 and fast CPURST signals. The decode sequence is software transparent and requires no BIOS modifications to function. The fast GATEA20 generation sequence involves writing command "D1h" (write output) port to Port 64h, then writing data "02h" to Port 60h. The fast CPU "warm reset" function is generated when a Port 64h write cycle with data "FEh" is decoded. A write to Port 64h with data D0h will enable the status of GATEA20 (bit 1 of Port 60h) and the system reset (bit 0 of Port 60h) to be readable.

## 4.16 Special Cycles

The 386SX microprocessor provides special bus cycles to indicate that certain instructions have been executed, or certain conditions have occurred internally. Special cycles, such as Shutdown and Halt cycles, are covered by dedicated handling logic in the 82C295. This logic decodes the CPU bus definition signals MIO#, DC#, and WR# and takes the appropriate action.

## 4.17 Testability Features

I/O Configuration Register 20h[7:6] contains a 2-bit read only value which indicates the revision level of the 82C295. This allows the revision level of the 82C295 to be verified by software.

### 4.17.1 Tristate Test Mode (Outputs/Bidirectional)

The 82C295 includes a tristate test mode to facilitate board level testability and manufacturability. When this test mode is entered, most outputs and bidirectional pins become tristated (with the exception of critical signals such as CPURST, NPRST, and LMEGCS#), allowing electrical isolation between the 82C295 and these signals on the PCB.

The 82C295 is put into the various test modes by applying stimulus to the test pins as indicated in Table 4-7.

All bidirectional signals are tristated. All outputs except CPURST, NPRST, LMEGCS# are tristated. Input and bidirectional pins can be toggled and the results observed at the LMEGCS# pin.

**Table 4-6 Test Functions**

Pin 23	Pin 33	Pin 34	Pin 42	Function
Low	High	Low	Low	Tristate test mode
Low	Low	Low	Low	Odd number pins = high Even number pins = low
Low	Low	High	Low	Odd number pins = low Even number pins = high

Table 4-7 Test Mode I/O and Bidirectional Pins

Pin No.	Pin Name	Pin No.	Pin Name	Pin No.	Pin Name	Pin No.	Pin Name
2	XD15	26	OSC12	73	D9	112	A13
3	XD14	27	ASRTC	74	D10	113	A12
4	XD13	31	HLDA1	75	D11	114	A11
5	XD12	35	ROMCS#	76	D12	115	A10
6	XD11	36	KBDCS#	77	D13	116	A9
7	XD10	37	SPKD	78	D14	117	A8
8	XD9	38	RST4#	79	D15	136	MP1
9	XD8	39	NMI	80	A1CON	137	MP0
11	XD7	41	NPINT	82	A2CON	140	IOWR#
12	XD6	46	HOLD	88	TAG0	141	MWR#
13	XD5	48	BUSY#	89	TAG1	142	BALE
14	XD4	63	D0	90	TAG2	143	M16#
15	XD3	64	D1	91	TAG3	145	XA0
16	XD2	65	D2	92	TAG4	146	XBHE#
17	XD1	66	D3	93	TAG5	147	IORD#
18	XD0	67	D4	94	TAG6	148	MRD#
19	RFSH#	68	D5	96	DRTY	157	SDIR1
21	A20M#	69	D6	108	A16	158	SDIR2
22	INTA#	71	D7	109	A15	159	SDEN#
25	GATE2	72	D8	111	A14		

## 5.0 Configuration Registers

There are 13 Configuration Registers inside the 82C295. An indexing scheme is used to access all of these registers. Port 22h is used as the Index Register and Port 24h is the Data Register. Each access to a Configuration Register consists of a write to Port 22h, specifying the desired register in the data byte, followed by a read or write to Port 24h with the actual register data. The index resets after every access; therefore every data access (via Port 24h) must be preceded by a write to Port 22h, even if the same register is being accessed on consecutive occasions. All reserved bits are set to zero by default and must be set to zero for future purposes. PC/AT-compatible registers 61h (Port B) and 60h/64h are supported, as is PS/2-compatible register 92h (Port A).

## 5.1 Register Descriptions

### 5.1.1 Keyboard I/O Control Registers - 60h, 64h

The 82C295 will intercept commands to Ports 60h and 64h so that it may emulate the keyboard controller allowing the generation of fast GATEA20 and fast CPURST signals. The decode sequence is software transparent and requires no BIOS modifications to function. The fast GATEA20 generation sequence involves writing command "D1h" to Port 64h, then writing data "02h" to Port 60h. The fast CPU warm reset function is generated when a Port 64h write cycle with data "FEh" is decoded. A write to Port 64h with data D0h will enable the status of GATEA20 (bit 1 of Port 60h) and the system reset (bit 0 of Port 60h) to be readable.

**Table 5-1 Port 61h (Port B)**

Bit(s)	Type	Function
7	R	System Parity Check: This bit indicates that an on-board RAM parity error has occurred. It can only be set if bit 2 (Parity Check Enable) = 0. This bit should be cleared by writing a 1 to bit 2.
6	R	I/O Channel Check: This bit indicates that a peripheral device is reporting an error. It can only be set if bit 3 (I/O Channel Check Enable) = 0. This bit should be cleared by writing a 1 to bit 3.
5	R	Timer OUT2 Detect: This bit indicates the current state of the OUT2 signal from the on-board timer.
4	R	Refresh Detect: This bit is tied to a toggle flip-flop which is clocked by REFRESH. It toggles the opposite state every time a refresh cycle occurs.
3	R/W	I/O Channel Check Enable: When this bit is set low, it allows an NMI to be generated if the IOCHCK# input is pulled low. Otherwise, the IOCHCK# input is ignored and can not generate an NMI. 0 = Enable 1 = Disable
2	R/W	Parity Check Enable: When this bit is set low, it allows parity errors from on-board RAM memory to cause an NMI. When high, on-board RAM parity errors will not cause an NMI.
1	R/W	Speaker Output Enable: This bit is gated with the output of Counter 2 from the on-board timer. When this bit is high, it allows the OUT2 frequency to be passed out on the SPKR pin. When low, the SPKR output is forced low. 0 = Enable 1 = Disable
0	R/W	Timer 2 Gate: This bit goes to the GATE2 input of the on-board timer to enable Counter 2 to produce a speaker frequency. 0 = Enable 1 = Disable

**Table 5-2 Revision/AT Bus Configuration Register - Index 20h**

Bit(s)	Type	Default	Function
7:6	RO	00	82C295 revision number
5:4	R/W	00	Back-to-back I/O recovery time 00 = 3 ATCLKs between I/O cycles 01 = 4 ATCLKs between I/O cycles 10 = 5 ATCLKs between I/O cycles 11 = 6 ATCLKs between I/O cycles
3	R/W	0	Slow refresh mode: 0 = Disable 1 = Enable
2	R/W	0	Hidden refresh mode: 0 = Disable 1 = Enable
1:0	R/W	00	AT clock selection: 00 = ATCLK = CLK2 divided by 10 01 = ATCLK = CLK2 divided by 8 10 = ATCLK = CLK2 divided by 6 11 = ATCLK = CLK2 divided by 4

**Table 5-3 System Control Register - Index: 21h**

Bit(s)	Type	Default	Function
7	R/W	0	AT bus master byte swap: 0 = Disable 1 = Enable
6	R/W	1	ALE generation for each AT bus cycle: 0 = Disable, a single ALE will generate during bus conversion cycles 1 = Enable, multiple ALEs will be generated during bus conversion cycles
5	R/W	0	Keyboard fast reset emulation control: 0 = Enable, a "Halt" instruction is required before a fast CPU reset will be generated 1 = Disable, fast CPU reset will be generated directly after the "FE" I/O write command to Port 64h is decoded.
4	R/W	0	AT cycle additional wait state: 0 = Disable, standard AT cycle 1 = Enable, inserts one extra wait state in standard AT bus cycle
3:1	R/W	000	Reserved
0	R/W	0	System memory parity checking: 1 = Disable, 82C295 will not check parity 0 = Enable, 82C295 will check parity

**Table 5-4 DRAM Configuration Register - Index: 22h**

Bit(s)	Type	Default	Function
7:6	R/W	11	DRAM read cycle wait states: 00 = 0 wait states                      10 = 2 wait states 01 = 1 wait state                        11 = 3 wait states
5:4	R/W	11	DRAM write cycle wait states: 00 = 0 wait states                      10 = 2 wait states 01 = 1 wait state                        11 = 3 wait states
3:0	R/W	0000	Banks 0 through 3 DRAM configuration: 0000    256KB    256KB    -        -        1MB 0001    256KB    256KB    256KB    256KB    2MB 0010    256KB    256KB    1MB       -        3MB 0011    256KB    256KB    1MB       1MB       5MB 0100    256KB    256KB    4MB       -        9MB 0101    1MB       -        -        -        2MB 0110    1MB       1MB       -        -        4MB 0111    1MB       1MB       1MB       -        6MB 1000    1MB       1MB       1MB       1MB       8MB 1001    1MB       4MB       -        -        10MB 1010    1MB       1MB       4MB       -        12MB 1011    4MB       -        -        -        8MB 1100    4MB       4MB       -        -        16MB 1101    Reserved 1110    Reserved 1111    Reserved

**Table 5-5 ROM Chip Select (ROMCS#) Control Register - Index 23h**

Bit(s)	Type	Default	Function
7	R/W	0	Enable ROMCS# for write cycles: 0 = Disable 1 = Enable, generates ROMCS# for write cycles to support flash ROMs
6:0	R/W	1000 000	ROMCS# for XX000h-XXFFFh segments: 0 = Disable                                      1 = Enable Bit 6 = F0000h-FFFFFh                      Bit 2 = D0000h-D7FFFh Bit 5 = E8000h-EFFFFh                      Bit 1 = C8000h-CFFFFh Bit 4 = E0000h-E7FFFh                      Bit 0 = C0000h-C7FFFh Bit 3 = D8000h-DFFFFh

**Table 5-6 Shadow RAM Control Register (E000h-EFFFh) - Index 24h**

Bit(s)	Type	Default	Function
7:4	R/W	0000	Read shadow RAM for EX000h-EXFFFh segments: 0 = Disable 1 = Enable Bit 7 = EC000h-EFFFh Bit 6 = E8000h-EBFFFh Bit 5 = E4000h-E7000h Bit 4 = E0000h-E3FFFh
3:0	R/W	0000	Write shadow RAM for EX000h-EXFFFh segments: 0 = Disable 1 = Enable Bit 3 = EC000h-EFFFh Bit 2 = E8000h-EBFFFh Bit 1 = E4000h-E7000h Bit 0 = E0000h-E3FFFh

**Table 5-7 Shadow RAM Control Register (D000h-DFFFh) - Index 25h**

Bit(s)	Type	Default	Function
7:4	R/W	0000	Read Shadow RAM for DX000h-DXFFFh segments: 0 = Disable 1 = Enable Bit 7 = DC000h-DFFFh Bit 6 = D8000h-DBFFFh Bit 5 = D4000h-D7000h Bit 4 = D0000h-D3FFFh
3:0	R/W	0000	Write shadow RAM for DX000h-DXFFFh segments: 0 = Disable 1 = Enable Bit 3 = DC000h-DFFFh Bit 2 = D8000h-DBFFFh Bit 1 = D4000h-D7000h Bit 0 = D0000h-D3FFFh

**Table 5-8 Shadow RAM Control Register (C000h-CFFFh) - Index 26h**

Bit(s)	Type	Default	Function
7:4	R/W	0000	Read shadow RAM for CX000h-CXFFFh segments: 0 = Disable 1 = Enable Bit 7 = CC000h-CFFFh Bit 6 = C8000h-CBFFFh Bit 5 = C4000h-C7000h Bit 4 = C0000h-C3FFFh
3:0	R/W	0000	Write shadow RAM for CX000h-CXFFFh segments: 0 = Disable 1 = Enable Bit 3 = CC000h-CFFFh Bit 2 = C8000h-CBFFFh Bit 1 = C4000h-C7000h Bit 0 = C0000h-C3FFFh





**Table 5-11 Cacheable Upper Bound Register - Index 29h**

Bit(s)	Type	Default	Function
7:4		1010	Reserved
3:0	R/W	0000	Cacheable upper bound address: These bits control the cacheable upper bound address of the 82C295 write-back cache. The factors to consider when programming this register are the amount of local DRAM installed and the size of the cache installed. The lesser of these two values should be used to dictate the upper bound address for the 82C295 cache. A list of cacheable memory relative to installed cache size can be found in Table 4-2. Bits [3:0] correspond to address bits A[23:20] respectively.  0000 Feature Disabled 0001 1MB : : : : 1111 15MB

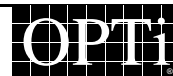
**Table 5-12 Non-Cacheable Segments Register 1 - Index 2Ah**

This register is used in conjunction with Index Registers 2Bh and 2Ch to define the two non-cacheable segments. The starting address for the non-cacheable segment must have the same granularity as the block size. For example, if a 512KB non-cacheable block is selected, its starting address must be a multiple of 512KB; consequently, only address bits of A[23:16] are significant.

Bit(s)	Type	Default	Function
7	R/W	0	Non-cacheable segment A: 0 = Disable                                 1 = Enable
6:4	R/W	000	Size of non-cacheable memory segment A: 000 = 64KB                                 100 = 1MB 001 = 128KB                               101 = 2MB 010 = 256KB                               110 = 4MB 011 = 512KB                               111 = 8MB
3	R/W	0	Non-cacheable segment B: 0 = Disable                                 1 = Enable
2:0	R/W	000	Size of non-cacheable memory segment B: 000 = 64KB                                 100 = 1MB 001 = 128KB                               101 = 2MB 010 = 256KB                               110 = 4MB 011 = 512KB                               111 = 8MB

**Table 5-13 Non-Cacheable Segments Register 2 - Index 2Bh**

Bit(s)	Type	Default	Function
7:0	R/W	0000 0000	Address bits A[23:16] for starting address of non-cacheable memory segment A



# 82C295

**Table 5-14 Non-Cacheable Segments Register 3 - Index 2Ch**

Bit(s)	Type	Default	Function
7:0	R/W	0000 0000	Address bits A[23:16] for starting address of non-cacheable memory segment B

**Table 5-15 PS/2 Fast Reset/A20 Control - 92h (Port A)**

Bit(s)	Type	Default	Function
1	R/W	1	Fast A20: 0 = A20 always 0, emulating the 8086 1MB wrap-around addressing. 1 = A20 Active
0	R/W	0	Fast Reset: 0 = Disabled 1 = Reset Triggered

The 82C295 can generate the fast GATEA20 and fast CPU Reset signals using either of two available mechanisms. Commands to I/O Ports 60h and 64h (keyboard controller emulation) are intercepted, and PS/2 compatible I/O Port 92 both provide a fast, parallel alternative to the standard PC/AT compatible method of using the keyboard controller to control the A20 and CPU reset signals.

Fast GATEA20 can be controlled via bit 1 of I/O Register 92h for PS/2 compatibility. When bit 1 = 1, A20 is active. When bit 1 = 0, A20 is always 0, emulating the 8086 1M wrap-around addressing. This feature is fully integrated with the fast A20 control achieved through the keyboard controller emulation for strict PC/AT compatibility.

Port 92h also provides a fast alternative to the keyboard controller in order to reset the microprocessor. This reset is ORed with the keyboard controller emulation reset signal so that either event evokes a reset. This provides a much quicker way for the system to jump between real and protected mode, thus speeding operation for OS/2. Bit 0 of I/O Register 92h is used for this purpose. When bit 0 = 1, a reset operation is triggered. This latch remains set until written again, or until the system controller is externally reset. The reset at 92h is always available, as is the reset activated by the BIOS through the keyboard controller emulation logic.

## 6.0 Maximum Ratings

Stresses above those listed in the following tables may cause permanent damage to the device. These are stress ratings only and functional operation of the device at these or any other conditions above those indicated in the operational sections of this specification are not implied.

### 6.1 Absolute Maximum Ratings

Symbol	Parameter	Min	Max	Unit
VCC	Supply Voltage		6.5	V
VI	Input Voltage	-0.5	VDD + 0.5	V
VO	Output Voltage	-0.5	VDD + 0.5	V
TOP	Operating Temperature	0	+70	°C
TSTG	Storage Temperature	-40	+125	°C

### 6.2 DC Characteristics: 5.0 Volt

VCC = 5.0V ±5%, TA = 0°C to +70°C

Symbol	Parameter	Min	Max	Unit	Condition
VIL	Input Low Voltage	-0.5	0.8	V	
VIH	Input High Voltage	2.0	VDD + 0.5	V	
VOL	Output Low Voltage		0.4	V	IOL = 4.0mA
VOH	Output High Voltage	2.4		V	IOH = -1.6mA
IIL	Input Leakage Current		10	µA	
IOZ	Tristate Leakage Current		10	µA	
CIN	Input Capacitance		20	pF	
COU	Output Capacitance		20	pF	
ICC	Power Supply Current		80	mA	

## 6.3 AC Characteristics - 33MHz/40MHz

Symbol	Parameter	33MHz / 40MHz			Unit	Condition
		Min	Typ	Max		
t101	NPRST active delay from FCLK2↑	3 / 3		10 / 8	ns	
t102	NPRST inactive delay from FCLK2↑	3 / 3		10 / 8	ns	
t103	CPURST active delay from FCLK2↑	3 / 3		10 / 8	ns	
t104	CPURST inactive delay from FCLK2↑	3 / 3		10 / 8	ns	

Symbol	Parameter	33MHz / 40MHz			Unit	Condition
		Min	Typ	Max		
t117	NPBUSY# active width	14 / 14			ns	
t118	NPERR# hold time from NPBUSY#	5 / 5			ns	
t119	NPERR# setup time to NPBUSY#	5 / 5			ns	
t120	NPBUSY# active to BUSY# active delay		12 / 12		ns	
t121	NPBUSY# inactive to BUSY# inactive delay		12 / 12		ns	
t122	NPERR# low pulse width	14 / 14			ns	
t123	IOW# active to BUSY# inactive delay		12 / 12		ns	

Symbol	Parameter	33MHz / 40MHz			Unit	Condition
		Min	Typ	Max		
t202	CAS# active delay from CLK2↑	5 / 5		15 / 15	ns	
t203	CAS# inactive delay from CLK2↑	5 / 5		9 / 9	ns	
t204	RDY# active delay from CLK2↑	10 / 10		18 / 18	ns	
t205	RDY# inactive delay from CLK2↑	10 / 10		18 / 18	ns	

Symbol	Parameter	33MHz / 40MHz			Unit	Condition
		Min	Typ	Max		
t210	LDEV# setup time to start of second T2↑	5 / 5			ns	
t211	LDEV# hold time to start of second T2↑	4 / 4			ns	
t212	RAS# active delay from CLK2↑	12 / 11		16 / 15	ns	
t213	RAS# inactive delay from CLK2↑	8 / 7		16 / 14	ns	

Symbol	Parameter	33MHz / 40MHz			Unit	Condition
		Min	Typ	Max		
t215	RDYI# setup time to CLK2↑	5 / 5			ns	
t216	RDYI# hold time to CLK2↑	4 / 4			ns	

## AC Characteristics - 33MHz/40MHz (Cont.)

Symbol	Parameter	33MHz / 40MHz			Unit	Condition
		Min	Typ	Max		
t225	CLK2↑ to DWE# active delay	8 / 6		16 / 15	ns	
t226	CLK2↓ to DWE# inactive delay	8 / 6		16 / 15	ns	
t227	CLK2↑ to MA[10:0] valid delay or CPU addr/status valid to MA[10:0] valid delay	8 / 7		15 / 15	ns	
t228	CLK2↑ to MA[10:0] invalid delay	8 / 7		15 / 15	ns	

Symbol	Parameter	33MHz / 40MHz			Unit	Condition
		Min	Typ	Max		
t401	CPU addr/status valid to CAOE# active delay or CLK2↑ to CAOE# active delay	5 / 4		12 / 10	ns	
t402	CAOE# inactive delay from CLK2	5 / 4		12 / 10	ns	
t403	CLK2↓ to CAWE# active delay	5 / NA		12 / NA	ns	
t404	CLK2↓ to CAWE# inactive delay	5 / NA		12 / NA	ns	
t405	CLK2↓ to DRTYW# active delay	5 / NA		12 / NA	ns	
t406	CLK2↓ to DRTW# inactive delay	5 / NA		12 / NA	ns	
t407	CLK2↑ to CAWE# active delay	7 / 6		14 / 12	ns	
t408	CLK2↑ to CAWE# inactive delay	7 / 6		14 / 12	ns	
t409	CLK2↑ to DRTYW# active delay	7 / 6		14 / 12	ns	
t410	CLK2↑ to DRTYW# inactive delay	7 / 6		14 / 12	ns	

Symbol	Parameter	33MHz / 40MHz			Unit	Condition
		Min	Typ	Max		
t440	CAS# active to RAS0# active delay	10		20	ns	
t241	CAS# inactive to RAS0# inactive delay	10		20	ns	
t242	RAS0# active to RAS1# active delay		15		ns	
t243	RAS0# inactive to RAS1# inactive delay		15		ns	
t244	RAS1# active to RAS2# active delay		15		ns	
t245	RAS1# inactive to RAS2# inactive delay		15		ns	
t246	RAS2# active delay to RAS3# active delay		15		ns	
t247	RAS2# inactive to RAS3# inactive delay		15		ns	

Symbol	Parameter	33MHz / 40MHz			Unit	Condition
		Min	Typ	Max		
t301	CD[15:0] valid to XD[15:0] valid delay	8		20	ns	

## AC Characteristics - 33MHz/40MHz (Cont.)

Symbol	Parameter	33MHz / 40MHz			Unit	Condition
		Min	Typ	Max		
t302	CD[15:0] valid to MP[1:0] valid delay	8		18	ns	
t303	CD[15:0] invalid to XD[15:0] invalid delay	8		18	ns	
t304	CD[15:0] invalid to MP[1:0] invalid delay	8		18	ns	

Symbol	Parameter	33MHz / 40MHz			Unit	Condition
		Min	Typ	Max		
t311	MD[15:0] setup time to IORD#/MEMEMR#↑	8		20	ns	
t312	MD[15:0] hold time to IORD#/MEMEMR#↑	8		18	ns	
t313	MD[15:8] valid to MD[7:0] valid delay	8		18	ns	
t314	MD[15:8] invalid to MD[7:0] invalid delay	8		18	ns	
t318	A[9:0] to KBDCS# active delay	5		30	ns	
t319	A[9:0] to KBDCS# inactive delay	5		30	ns	

Symbol	Parameter	33MHz / 40MHz			Unit	Condition
		Min	Typ	Max		
t440	RAS# precharge time for DRAM cycles		3		SYCLK	
t440a	RAS# precharge time for 0WS read miss dirty cycles		2		SYCLK	
t440b	RAS# precharge time for 1/2/3WS read miss dirty cycles		3		SYCLK	
t441	CAS# precharge time for DRAM cycles		1		SYCLK	
t441a	CAS# precharge time for 0WS write in read miss cycles		1		SYCLK	
t441b	CAS# precharge time for 1/2/3WS write in read miss cycles		1.5		SYCLK	
t442a	CAS# precharge time for 0WS read in read miss cycles		0.5		SYCLK	
t442b	CAS# precharge time for 1/2/3WS read in read miss cycles		1		SYCLK	

Symbol	Parameter	33MHz / 40MHz			Unit	Condition
		Min	Typ	Max		
t452	MEMR# active to CAO# active delay	7		20	ns	
t453	MEMR# inactive to CAO# inactive delay	7		20	ns	
t458	MEMR#/MEMW# active to RAS# active delay	8		16	ns	
t459	MEMR#/MEMW# inactive to RAS# inactive delay	10		20	ns	

## AC Characteristics - 33MHz/40MHz (Cont.)

Symbol	Parameter	33MHz / 40MHz			Unit	Condition
		Min	Typ	Max		
t460	MEMR#/MEMW# inactive to CAS# active delay	10		20	ns	
t461	MEMR#/MEMW# inactive to CAS# inactive delay	8		18	ns	
t462	MEMR#/MEMW# to column address valid delay	10		20	ns	
t463	MEMR#/MEMW# to row address hold delay	10		20	ns	
t464	MEMW# active to CAWE# active delay	7		20	ns	
t465	MEMW# active to DWE# active delay	8		18	ns	
t466	MEMW# inactive to DWE# inactive delay	8		18	ns	

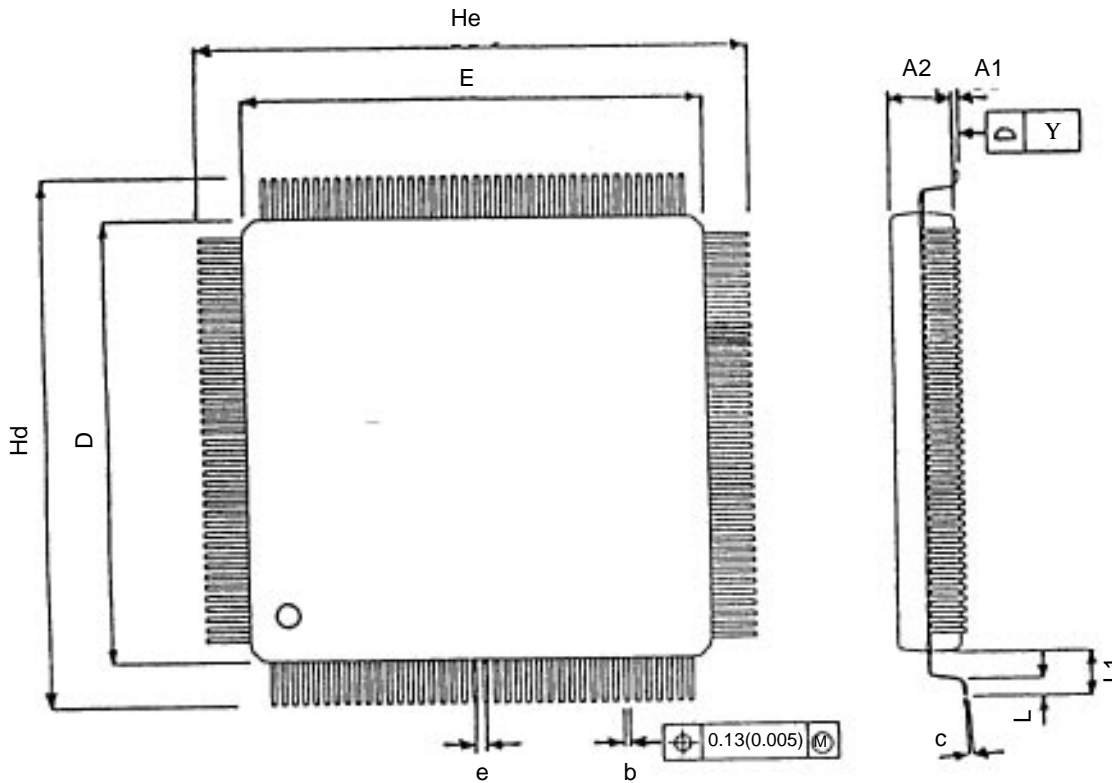
Symbol	Parameter	33MHz / 40MHz			Unit	Condition
		Min	Typ	Max		
t501	BCLK↓ to ALE active delay	5		30	ns	
t502	BCLK↑ to ALE inactive delay	5		30	ns	
t503	BCLK↓ to CMD active delay	5		30	ns	
t504	BCLK↑ to CMD inactive delay	5		30	ns	
t505	BCLK↑ to CMD active delay	5		30	ns	
t506	M16# to BCLK↑ setup time	8			ns	
t507	M16# to BCLK↑ hold time	8			ns	
t508	IO16# to BCLK↑ setup time	10			ns	
t509	IO16# to BCLK↑ hold time	10			ns	
t510	NOWS# to BCLK↑ setup time	10			ns	
t511	NOWS# to BCLK↑ hold time	10			ns	
t512	CHRDY to BCLK↑ setup time	12			ns	
t513	CHRDY to BCLK↑ hold time	12			ns	
t515	ATCLK↓ to HOLD active delay	5		16	ns	
t516	ATCLK↑ to HOLD inactive delay	5		16	ns	
t517	ATCLK↑ to REF# active delay	8		30	ns	
t518	ATCLK↑ to REF inactive delay	8		30	ns	
t519	ATCLK↑ to MEMR# active delay	5		25	ns	
t520	ATCLK↑ to MEMR# inactive delay	5		25	ns	
t521	HRQ1 setup time to ATCLK↑	10			ns	
t522	HRQ1 hold time to ATCLK↑	10			ns	
t523	HLDA active to HLDA1 active delay	8		18	ns	
t524	HLDA inactive to HLDA1 inactive delay	8		18	ns	

- Notes: 1. ↑ means rising edge.  
2. ↓ means falling edge.  
3. DRAM access time = 20ns.



## 7.0 Mechanical Package Outline

Figure 7-1 160-Pin Plastic Quad Flat Pack (PQFP)



Symbol	Millimeter			Inch		
	Min	Nom	Max	Min	Nom	Max
A1	0.05	0.25	0.50	0.002	0.010	0.020
A2	3.17	3.32	3.47	0.125	0.131	0.137
b	0.20	0.30	0.40	0.008	0.012	0.016
c	0.10	0.15	0.20	0.004	0.006	0.008
D	27.90	28.00	28.10	1.098	1.102	1.106
E	27.90	28.00	28.10	1.098	1.102	1.106
e		0.65			0.026	
Hd	31.65	31.90	32.15	1.246	1.256	1.266
He	31.65	31.90	32.15	1.246	1.256	1.266
L	0.65	0.80	0.95	0.025	0.031	0.037
L1		1.95			0.077	
Y			0.08			0.003
θ	0		10	0		10