



MULTIMEDIA CHIPSET

Apollo PLE133T



Features	VIA Apollo PLE133T	Intel® 810E
North Bridge	VT8602	82810E
Processor Support	Intel® Pentium® III (including Tualatin) Intel® Celeron™ VIA C3™	Intel® Pentium® III Intel® Celeron™ VIA C3™
Front Side Bus Settings	66/100/133MHz	66/100/133MHz
Integrated 2D/3D	AGP2X	i752 - AGP2X
Memory Bus Settings	66/100/133MHz	66/100/133MHz
Max. Memory	1.5GB	512MB
Memory Type	PC100/133 SDRAM	PC66/100 SDRAM
South Bridge	VT82C686B	82801AA
ACR Support	Yes	Yes
Integrated Audio/Modem	AC'97/MC'97	AC'97/MC'97
Sound Blaster™ Compatible Audio	Yes	No
PCI Devices/Slots	Up to 8	Up to 6
ISA Devices Support	Yes	No
IDE	ATA 33/66/100	ATA 33/66
USB	4 ports	2 ports
Integrated Super IO	FDC/2S/1P/Game port/IR	No
IO APIC	Yes	Yes
Integrated Hardware Monitoring	Yes	No
Power Management	ACPI/OnNow™ PMM	ACPI/OnNow™ PMM

Benefits of VIA Apollo PLE133T

Extremely cost effective platform

The VIA Apollo PLE133's highly integrated design enables OEMs and system builders to offer extremely cost effective PCs by eliminating numerous previously discrete PC components.

Flexible Front Side Bus settings optimized for both value and mainstream processors

The VIA Apollo PLE133T's 66/100/133 MHz Front Side Bus is optimized for a full range of Intel® Pentium® III, Intel® Celeron™, and VIA C3™ processors, allowing OEMs and system builders to choose the processor that best fits their target price point.

PC133 Performance at Minimal Cost

PC133 SDRAM offers the bandwidth necessary to squeeze great performance out of the latest generation processors and multimedia software applications.

VIA Stability and Reliability

VIA Apollo chipsets benefit from the most advanced design, manufacturing and testing processes yielding the industry's most reliable and stable system platforms.

Features

- Supports Intel® Pentium® III, Intel® Celeron™, and VIA C3™ processors
- 66/100/133MHz FSB settings
- Integrated AGP2X graphics core
- Support for PC100/133 SDRAM
- Support for Advanced Communications Riser (ACR)
- Integrated AC'97, MC'97 Audio/Modem
- Integrated 10/100Mb BaseT Ethernet controller or 1/10Mb HomePNA
- Support for ATA 33/66/100
- 4 USB ports, UHCI compliant
- Integrated Super I/O
- Support for LPC (Low Pin Count) bus
- Support for CRT, Digital Flat Panel and TV display
- Integrated hardware monitoring
- Advanced power management capabilities
- 510 BGA VT8602 North Bridge
- 376 BGA VT8231 South Bridge

www.viatech.com



VIA Technologies, Inc.
533 Chung-Cheng RD 8F.,
Hsin-Tien, Taipei 231, Taiwan.
TEL:886-2-22185452

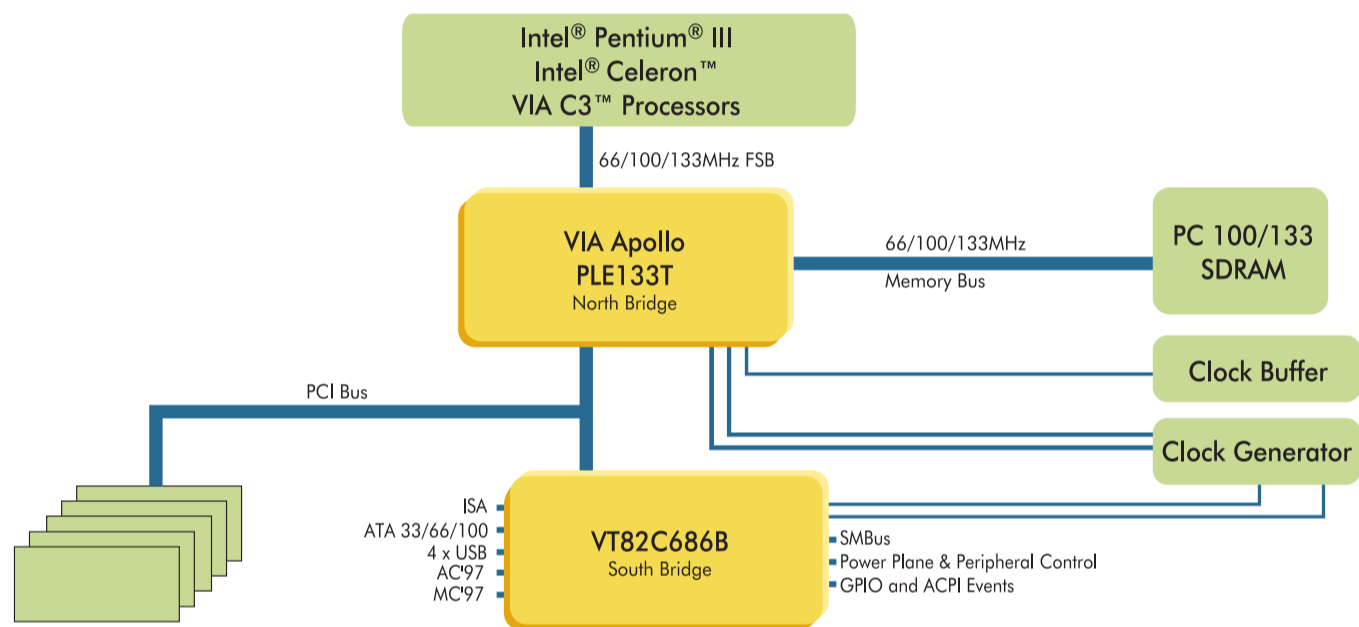
05, 2001



MULTIMEDIA CHIPSET

Apollo PLE133T

With its rich built-in multimedia, communications, and networking features, the VIA Apollo PLE133T chipset provides the most versatile and cost-effective integrated Socket 370 chipset designed for the specific needs of the Value PC and Information PC market segments.



The VIA Apollo PLE133T combines integrated AGP graphics and audio capabilities with support for PC133 SDRAM to provide a highly scalable solution for building Value PCs using the industry standard Socket 370 platform.

The VIA Apollo PLE133T is fully compatible with the complete range of Intel® Pentium® III and Intel® Celeron™ processors as well as the VIA C3™ processor. Its support for PC133 SDRAM ensures ample memory bandwidth for the most demanding software and Internet applications at minimal cost and the flexibility of the platform is further demonstrated by ACR support allowing full communications integration.



A wide range of additional features provides OEMs and System Integrators with the flexibility to reduce the cost of building innovative Information PCs and Digital PC Appliances without sacrificing features and performance.

These include an integrated 10/100 BaseT Ethernet and HomePNA controller, AC'97 audio, MC'97 modem, Super I/O, hardware monitoring capabilities, support for four USB ports, ATA-100, and Advanced Power Management.

